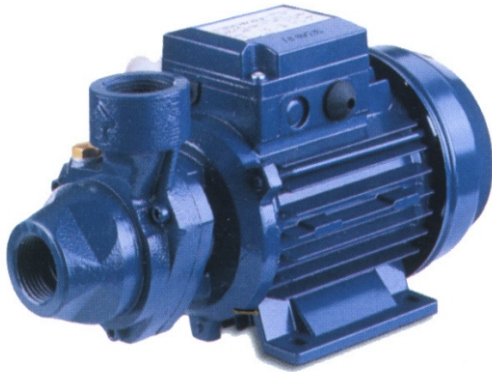




Model PRA

Peripheral Turbine Pumps



Specifications

Maximum working pressure : 6 bar
Maximum liquid temperature: 80°C

Materials

Pump casing: Cast Iron
Impeller: Brass
Shaft : C10
Bracket: Cast Iron
Mechanical seal: Carbon/Ceramic/NBR

Technical Data

TEFC, 2 pole motor
Insulation class F
IP44 protection
1Ø, 240 Volt, 50 Hz
Permanent split capacitor
Automatic thermal overload protection

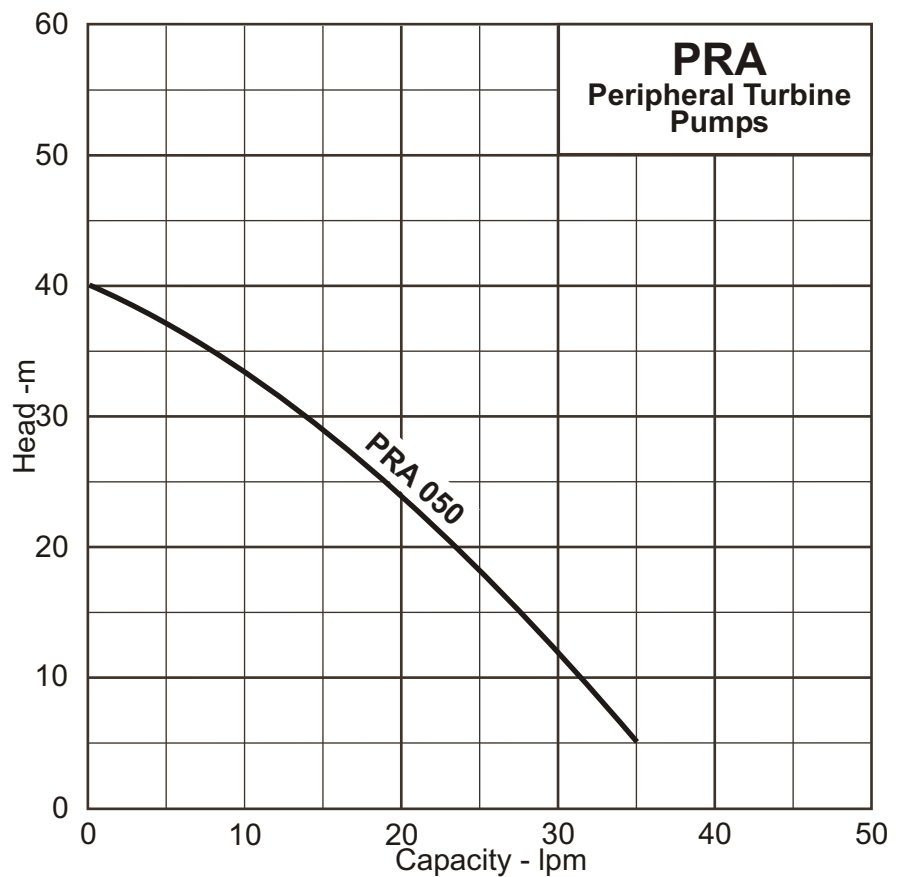
Peripheral turbine pumps manufactured in cast iron. Suitable for boosting of hot or cold water.

Performance Curve

Synchronous Speed:
3000 r.p.m.

Water temp:
20°C

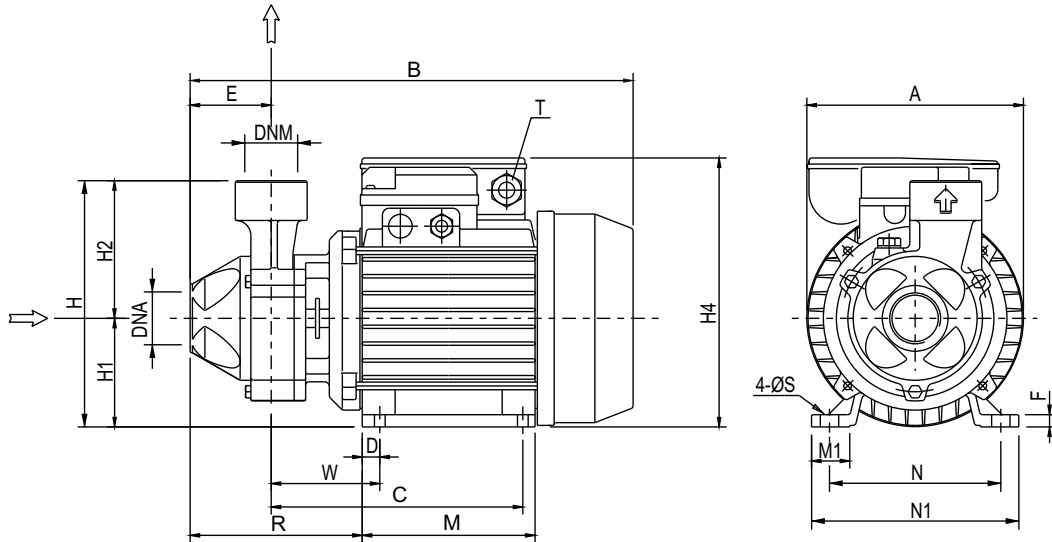
Applicable standard of test :
ISO 2458
Class C



Performance Table

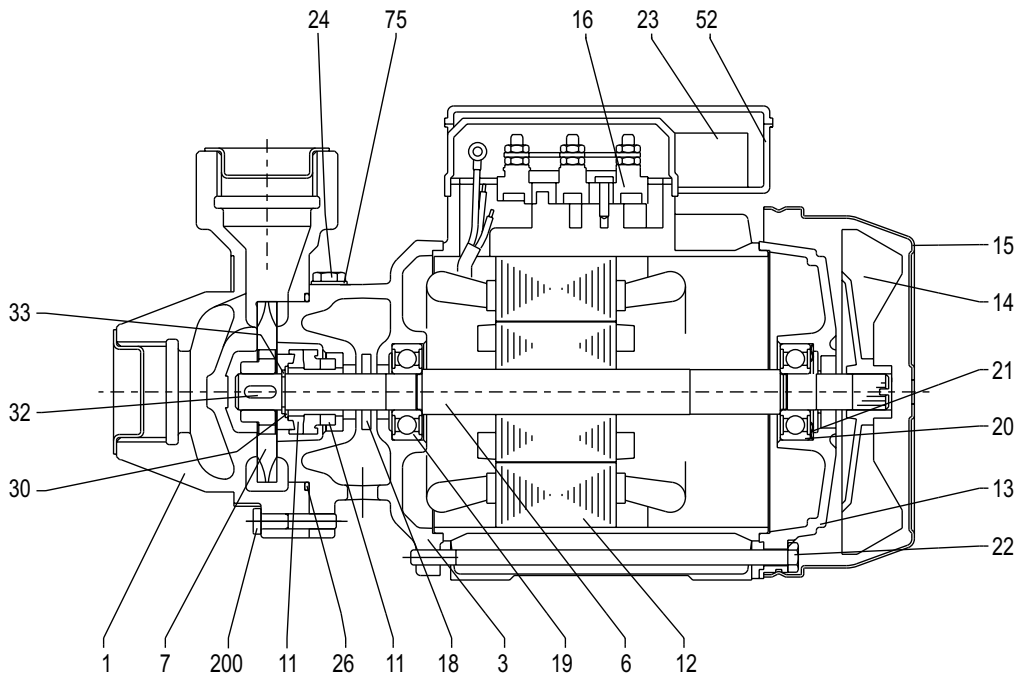
Pump Model	Motor Output	Power Supply	Capacitor		Full Load Current	Q= Capacity - litres/min				
			µF	Vc		5	10	15	20	35
PRA 0.50 M	0.37 kW	240 V, 1ph.	10 µF	450 Vc	2.6 A	H=Total Head - metres (m)				
						37	33.3	28.7	23.7	5

Dimensions



	A	B	C	D	E	F	H	H1	H2	H4	M	M1	N	N1	R	T	DNA	DNM	Weight
PRA 0.50 M	130	263.5	148.5	10	50	7	143	63	80	160	100	23	100	120	118.5	PG11	1"	1"	5.6 kg

Sectional Drawing



No.	Part name	Material	Qty	No.	Part name	Material	Qty	No.	Part name	Material	Qty
1	Casing	Cast Iron	1	15	Fan Cover	Fe P04 Zinced	1	24	Priming plug	Brass	1
3	Motor Bracket	Cast Iron	1	16	Terminal block	-	1	26	O-ring	NBR	1
6	Shaft with rotor	C10	1	18	Splash ring	NBR	1	30	Washer	AISI 304	1
7	Impeller	Brass	1	19	Pump side bearing	Sealed ball	1	32	Key	AISI 304	1
11	Mechanical Seal	Car/Cer/NBR	1	20	Fan side bearing	Sealed ball	1	33	Seeger ring	AISI 304	1
12	Motor frame & stator	-	1	21	Adjusting ring	Steel C70	1	52	Terminal box	Polypropylene	1
13	Motor Cover	Aluminium	1	22	Tie rod	Fe 42 Zinced	4	75	Washer	Aluminium	1
14	Fan	Polypropylene	1	23	Capacitor	-	1	200	Screw	S Steel	3



EBARA

EBARA PUMPS Australia Pty. Ltd

Data Sheet

PRA 04-10