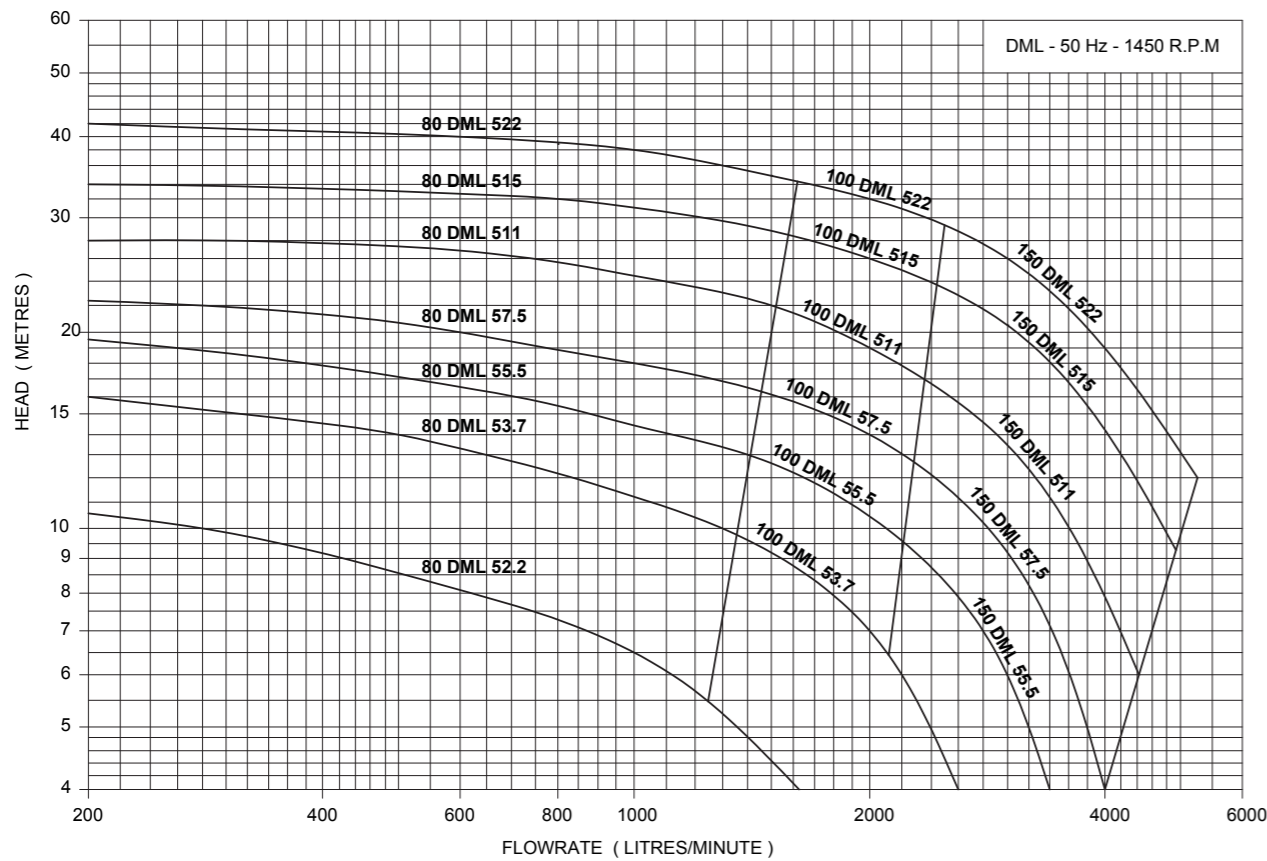


SUBMERSIBLE PUMPS

DML SERIES

Sewage Pump with Single Channel Impeller



SUBMERSIBLE PUMPS

FEATURES	
Robust cast iron construction	
Single channel impeller	
Double row lower bearing	
1450 RPM	
Class F	
Air filled submersible motor	
Double mechanical seal in oil chamber with SiC/SiC lower faces and carbon/ceramic upper faces.	
Built in overload protection or klixon	

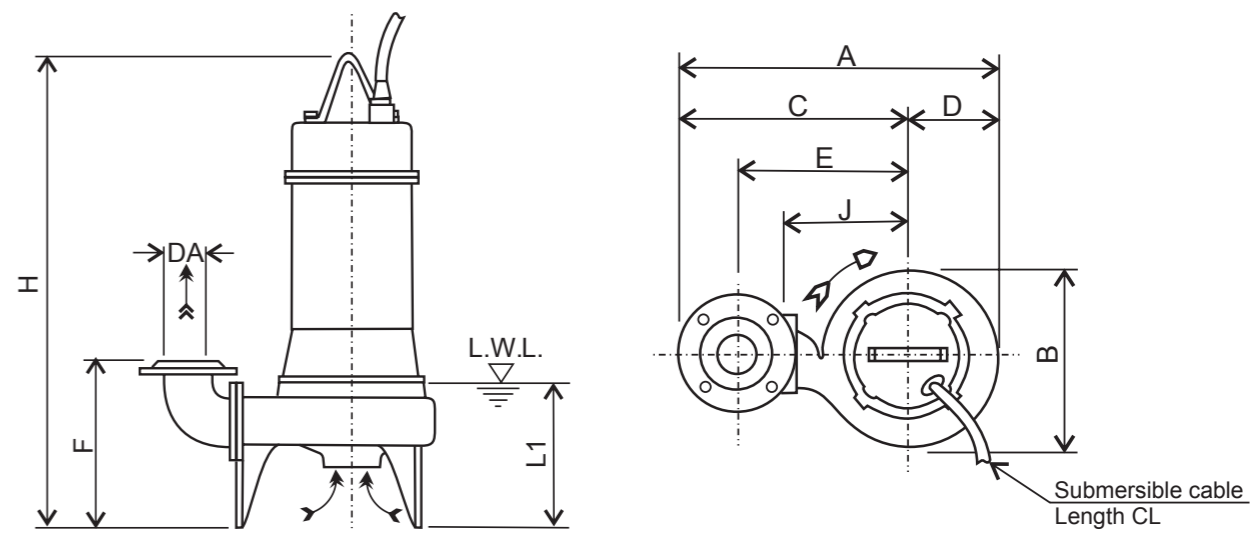
SPECIFICATIONS	
Submersible sewage pump with non-clog, single channel impeller	
Maximum solids handling: 76mm	
Maximum liquid temperature: 40°C	
Maximum submergence: 8m	

MATERIALS	
Pump casing: Cast Iron	
Impeller: Cast Iron	
Suction cover: Cast Iron	
Shaft: 403 Stainless Steel	
Motor frame: Cast Iron	
Fasteners: 304 Stainless Steel	
Mechanical seal: Double mechanical seal in oil lubricated chamber, Silicon carbide lower faces, Carbon/Ceramic upper faces	



DIMENSIONS

DML SERIES



SIZE DA	MODEL	OUTPUT KW	A	B	C	D	E	F	H	J	L1	CL	WEIGHT
80	80 DML 52.2	2.2	534	320	378	157	285	298	668	210	279	10m	80 kg
	80 DML 53.7	3.7	534	320	378	157	285	298	727	210	279	10m	87 kg
	80 DML 55.5	5.5	640	381	453	188	360	334	824	255	310	10m	118 kg
	80 DML 57.5	7.5	640	381	453	188	360	334	824	255	310	10m	123 kg
	80 DML 511	11	734	455	513	221	420	350	938	315	329	10m	157 kg
	80 DML 515	15	734	455	513	221	420	350	938	315	329	10m	163 kg
	80 DML 522	22	777	497	533	245	440	363	1021	335	332	10m	223 kg
100	100 DML 53.7	3.7	577	320	420	157	315	313	727	210	279	10m	89 kg
	100 DML 55.5	5.5	653	381	465	188	360	334	824	255	310	10m	121 kg
	100 DML 57.5	7.5	653	381	465	188	360	334	824	255	310	10m	125 kg
	100 DML 511	11	746	455	525	221	420	350	938	315	329	10m	160 kg
	100 DML 515	15	746	455	525	221	420	350	938	315	329	10m	166 kg
	100 DML 522	22	790	497	533	245	440	363	1021	335	332	10m	226 kg
105	150 DML 55.5	5.5	713	381	525	188	385	369	824	255	310	10m	127 kg
	150 DML 57.5	7.5	713	381	525	188	385	369	824	255	310	10m	132 kg
	150 DML 511	11	806	455	585	221	445	385	938	315	329	10m	166 kg
	150 DML 515	15	806	455	585	221	445	385	938	315	329	10m	172 kg
150 DML 522	22	850	497	605	245	465	398	1021	335	332	10m	232 kg	

PUMP MODEL	MOTOR OUTPUT kW	# DISCHARGE Ø mm	FULL LOAD CURRENT @ 415 V, 3PH	Q = CAPACITY - LITRES/MIN													
				600	1200	1700	2400	2700	3000	3500	4000	4400	5000	5360			
				H = TOTAL HEAD - METRES (m)													
80 DML 52.2	2.2	80	5.2 A	8.2	5.6	3.6											
80 100 DML 53.7	3.7	80 or 100	8.4 A	12.8	10.4	8.1	4.9	3.6									
80, 100, 150 DML 55.5	5.5	80, 100 or 150	12.7 A		14.0	11.5	8.8	7.1	5.8	3.5							
80, 100, 150 DML 57.5	7.5	80, 100 or 150	16.9 A		16.8	14.8	12.0	10.7	9.3	6.8	4.0						
80, 100, 150 DML 511	11.0	80, 100 or 150	23.0 A		23.6	20.8	16.8	15.0	13.3	10.8	8.2	6.4					
80, 100, 150 DML 515	15.0	80, 100 or 150	30.0 A		29.6	27.1	23.6	21.9	20.3	17.3	14.5	12.2	8.8				
80, 100, 150 DML 522	22.0	80, 100 or 150	42.0 A		36.1	33.5	29.8	27.9	26.0	22.8	19.4	17.4	14.0	12.0			