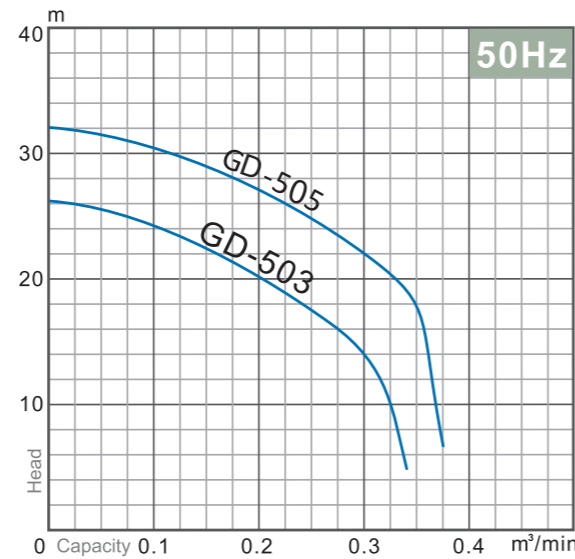
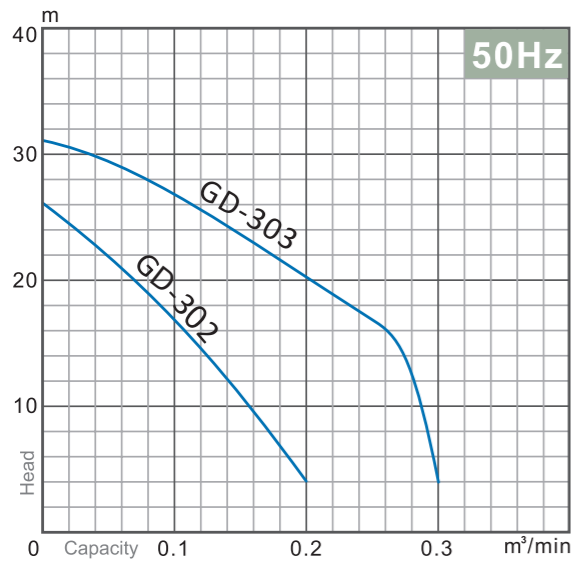


# SUBMERSIBLE PUMPS

GD SERIES

SUBMERSIBLE PUMPS



MATERIALS		
MOTOR	Horse Power	2/3/5 Hp
	Pole	2
	Max Operating Temp	40°C (104°F)
	Insulation Class	CLASS F
	Rotation Speed (RPM)	3000
PUMP	Protection	Overload Protector Seal Minder (optional)
	Handle	Stainless Steel 304
	Upper Cover	FC-20
	Motor Frame	Stainless Steel 304
	Shaft	Stainless Steel 304
	Bearing	Ball Bearing
	Mechanical Seal	Double Mech. Seal
	Bearing Bracket	FC-20
	Mechanical Seal Lid	FC-20
	Shredding Ring	SUS 440C
	Grinding Ring	SUS 440C
	Pump Housing	FC-20
Impeller	Vortex	

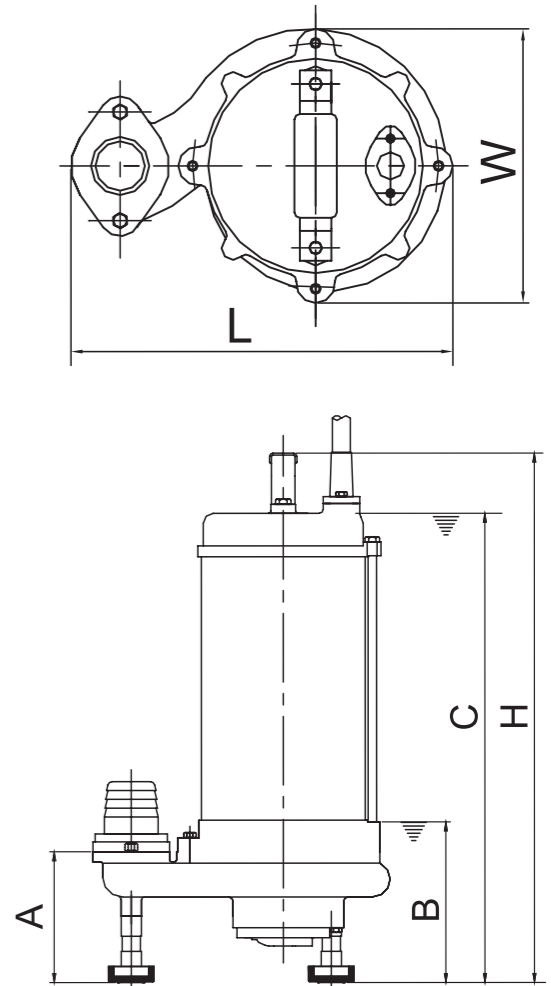
APPLICATIONS
Pumping of residential waste water
Drainage of subway/tunnel
Waste water treatment

FEATURES
Grinding and shredding effects are applied and able to handle soft solids in suspension
Portable, high wear resistance is applied and open impeller to prevent clogging
High quality mechanical seal and o-ring are adapted to maintain long time operation and high precision is applied to raise stability and efficiency of motors
Inner cable wires and cable base are filled EPOXY to raise humidity-resistance



# DIMENSIONS

GD SERIES



MODEL NO.	PHASE Ø	DN	DIMENSIONS					
			A	B	C	L	W	H
GD-302	1 Ø	32	130	160	500	300	210	560
	3 Ø				410			470
GD-303	3 Ø	32	130	160	460	300	210	520
GD-503	3 Ø	50	130	160	460	300	210	520
GD-505	3 Ø	50	130	160	460	300	210	520

MODEL NO.	OUTPUT HP (kW)	OUTLET DIAMETER (mm) INCH	PHASE Ø	POLE	VOLTAGE	STANDARDS		MAXIMUM		WEIGHT kg
						HEAD m	CAPACITY m³/min	HEAD m	CAPACITY m³/min	
GD-302	2 (1.5)	32 (1¼")	1 Ø	2	240	21	0.06	26	0.2	36
			3 Ø							33
GD-303	3 (2.2)	32 (1¼")	3 Ø	2	415	29/29.5	0.06	31/32	0.3	20
GD-503	3 (2.2)	50 (2")	3 Ø	2	415	20/20.5	0.2	56/56.5	0.34	19
GD-505	5 (3.7)	50 (2")	3 Ø	2	415	27/30	0.2	32/36	0.35	20