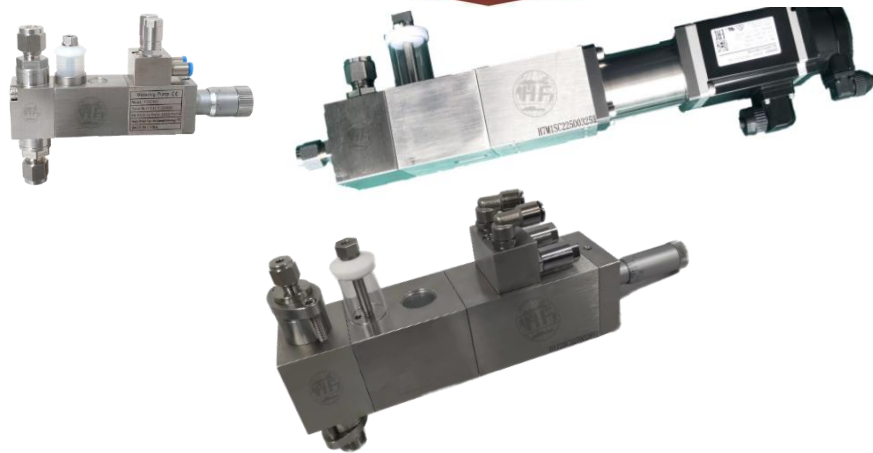


# Check Valve Dispensing Pump

# SV-C Series



<b>Dispense Volume</b> 0-40ml
<b>Viscosity</b> Low to Medium (<20,000 cps)
<b>No Particles</b>
<b>Applications</b>
Used in the Food, Battery, Technical, Pharmaceutical, Cosmetic and Chemical industries.

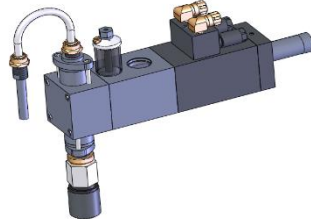


SMALL VOLUME DISPENSING

## Details

### Pneumatic Drive

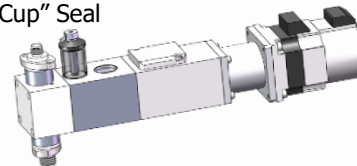
"Wet Cup" Seal



Configurable Inlet & Outlet Fittings

### Precision Servo Drive

"Wet Cup" Seal



High Accuracy  
+/- 0.5% or Better

316L Stainless Steel Construction  
Other Materials of Construction available

CV Pump Models			Maximum Dispensing	Piston Stroke		Piston Diameter		Cycle Speed	Air Consumption	Weight
	Pneumatic	Electric	Volume (cc)	mm	inch	mm	inch	(cpm) <sup>A</sup>	scfm (l/min) <sup>B</sup>	lbs (kg) <sup>C</sup>
SV0.02C	P	E	0.02	6.35	0.25	2.01	0.079	0-300	0.27 (7.7)	5 (2.3)
SV0.05C			0.05			3.18	0.125			
SV0.1C			0.11			4.75	0.187			
SV0.2C			0.23	12.70	0.5	4.75	0.187			
SV0.4C			0.40			6.35	0.25			
SV0.6C			0.62			7.92	0.312			
SV1C			1.20	25.40	1	11.10	0.437			
SV2.5C			2.50			15.88	0.625			
SV3C			3.20			12.70	0.5			
SV5C			5.00	38.10	1.5	15.88	0.625			
SV7C			7.20			19.05	0.75			
SV10C			9.80			22.23	0.875			
SV14C			14.50	50.80	2	26.97	1.062			
SV20C			20			31.75	1.25			
SV30C			30			31.75	1.25			
SV40C			40			31.75	1.25			

<sup>A</sup>Depending on the application and dispensing volume, the maximum cycle rate will vary <sup>B</sup>Calculated at full stroke at 100cpm, 75 PSI (5 Bar) <sup>C</sup> Pneumatic Drive Only



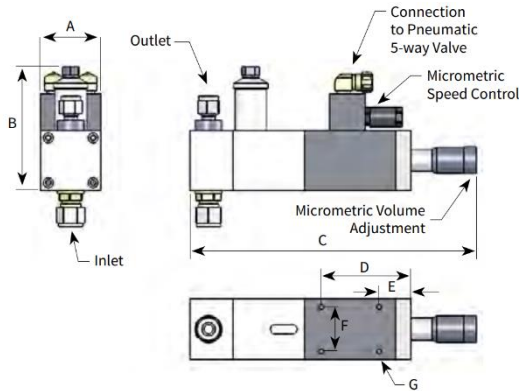
SMALL VOLUME DISPENSING

Fittings		
Type	Size	
	Inlet	Outlet
Sanitary	1/2" - 3/4"	1/2" - 3/4"
Swage	1/8" - 1/2"	1/8" - 3/8"
Tube	1/8" - 1/2"	1/8" - 3/8"
Hose	1/2" - 3/4"	1/2" - 5/8"

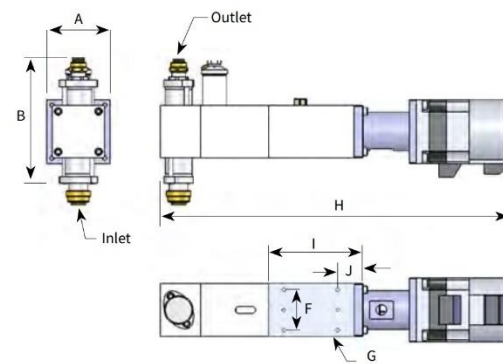
Special sizes or metric available upon request

O-rings & U-cups	
O-rings	U-cup Seals
Viton	Teflon
EP	UHMW
Silicon	
Perfluor (Kalrez®)	

## Pneumatic Drive



## Servo Drive



CV Pump Models		Maximum Dispensing	External Dimensions (Inches[Metric])									
Pneumatic	Electric	Volume (cc)	A	B	C	D	E	F	G			H/I/J
		0.02										
		0.05			7.77 [198]							
		0.11										
		0.23	1.68 [43]	3.45 [88]		2.52[64]	0.89[23]	1.25[32]	8-32 UNC			
		0.40										
		0.62			8.01[203]							
		1.20										
		2.50										
		3.20										
		5.00										
		7.20										
		9.80	1.94[49]	3.71[94]	10.53 [267]	3.2[81]	1.2[30]					
		14.5						1.50[38]	8-32 UNC			
		20										
		30			14.18 [360.1]	3.7[94]	1.2 [30.5]					
		40			16.18 [411]	4.2 [106.7]	1.7 [43.2]					

Servo Drive Specific  
Contact your Hife Rep.



**HIFE SYSTEMS LTD.**

Aurora Heidenheim Sorocaba Ningbo  
Canada Germany Brazil China

### Contact Us:

Asia: [sales@hife-battery.com](mailto:sales@hife-battery.com) – North America: [sales.1@hife-canada.com](mailto:sales.1@hife-canada.com)

Europe: [sales@hife-europe.com](mailto:sales@hife-europe.com) – South America: [sales@hife-brasil.com](mailto:sales@hife-brasil.com)