

Rotary Valve Dispensing Pump

SV-R Series



Dispense Volume 0-40ml
Viscosity Medium to High (>20,000 cps) With or Without Particles
Applications
Used in the Food, Battery, Technical, Pharmaceutical, Cosmetic and Chemical industries.



SMALL VOLUME DISPENSING

Details

Pneumatic Drive

"Wet Cup" Seal



Precision Servo Drive

Other Materials of Construction Available

316L Stainless Steel Construction

"Wet Cup" Seal



High Accuracy
+/- 0.5% or Better

Heated Pump options available

- High Speed Rotary Actuator
- Precision Ceramic Rotary Valve
- Configurable Inlet & Outlet Fitting

RV Pump Models			Maximum Dispensing	Piston Stroke		Piston Diameter		Cycle Speed	Air Consumption	Weight	
	Pneumatic	Electric	Volume (cc)	mm	inch	mm	inch	(cpm) ^A	scfm (l/min) ^B	lbs (kg) ^C	
SV0.2R	P	E	0.23	12.70	0.5	4.80	0.187	0-150	0.94 (26)	7 (3.2)	
SV0.4R			0.40			6.35	0.25				
SV0.6R			0.62			7.90	0.312				
SV1R			1.22			11.10	0.437				
SV2.5R			2.50			15.90	0.625				
SV3R			3.22			12.70	0.5				
SV5R			5.00	15.90	0.625	0-120	1.89 (54)	9.7 (4.4)			
SV7R			7.24	19.10	0.75						
SV10R			9.85	22.20	0.875						
SV14R			14.50	27.00	1.062						
SV20R			20.10	38.10	1.25				0-100	2.66 (75)	10.3 (4.7)
SV30R			30.00								
SV40R	40.00	50.80	2		3.43 (97)						

^A Depending on the application, the maximum cycle rate will vary ^B Calculated at full stroke at 100cpm, 75 PSI (5 Bar) ^C Pneumatic Drive Only



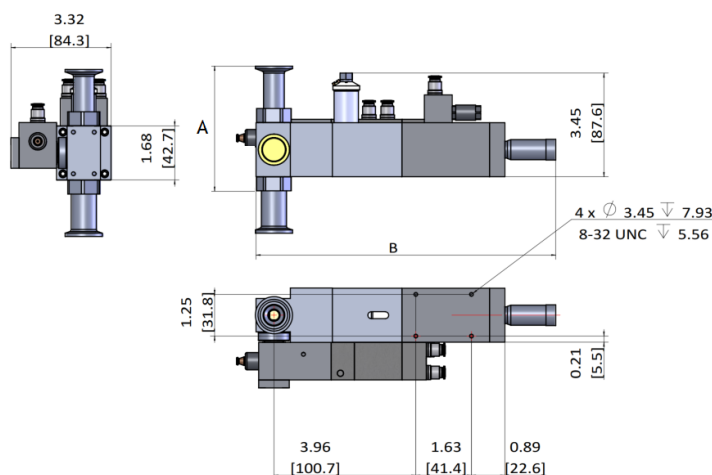
SMALL VOLUME DISPENSING

Fittings		
Type	Size	
	Inlet	Outlet
Sanitary	1/2" - 3/4"	1/2" - 3/4"
Swage	1/8" - 1/2"	1/8" - 3/8"
Tube	1/8" - 1/2"	1/8" - 3/8"
Hose	1/2" - 3/4"	1/2" - 5/8"

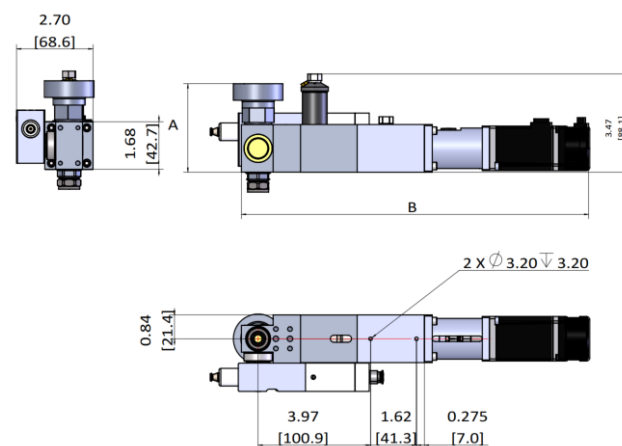
O-rings & U-cups	
O-rings	U-cup Seals
Viton	Teflon
EP	UHMW
Silicon	
Perfluor (Kalrez ®)	

Special sizes or metric available upon request

Pneumatic Drive



Servo Drive



RV Pump Models			Maximum Dispensing	External Dimensions (Inches[Metric])		
	Pneumatic	Electric	Volume (cc)	A	B	Electric
SV0.2R	P	E	0.23	3.45 [88]	8.90 [226]	Servo Drive Specific Contact your Hife Rep.
SV0.4R			0.40			
SV0.6R			0.62			
SV1R			1.22			
SV2.5R			2.50			
SV3R			3.22			
SV5R			5.00	11.8[299]		
SV7R			7.24			
SV10R			9.85			
SV14R			14.50			
SV20R			20.10			
SV30R			30.00		15.92 [404.4]	
SV40R			40.00		17.42 [442.5]	



HIFE SYSTEMS LTD.

Aurora Heidenheim Sorocaba Ningbo
Canada Germany Brazil China

Contact Us:

Asia: sales@hife-battery.com – North America: sales.1@hife-canada.com

Europe: sales@hife-europe.com – South America: sales@hife-brasil.com