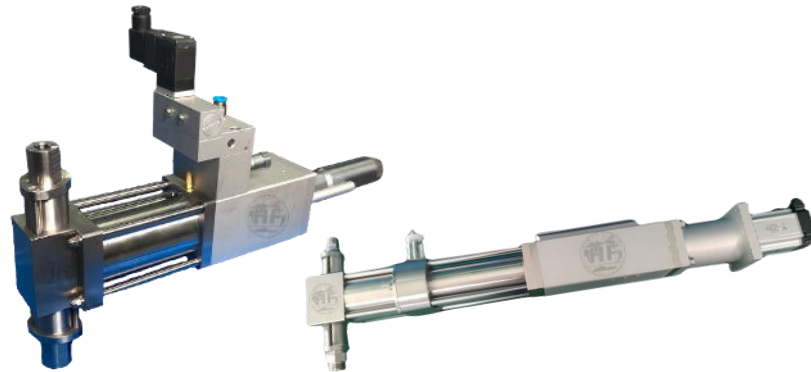


Check Valve Dispensing Pump

MV-C Series



Dispense Volume 0-250ml
Viscosity Low to Medium (<20,000 cps)
No Particles
Applications
For the Cosmetics, Technical and Chemical Industries but also can be used in the Food and Pharmaceutical Industries.



MEDIUM DISPENSING VOLUME

Details

Pneumatic Drive

Servo Drive

Electric or Pneumatic Start Signal

Fine Adjustment Speed Control

Internal Full Stroke Sensor

Precision Volumetric Adjustment

High Accuracy
+/- 0.5% or Better

Programmable Servo Speed Profiling

Precision Servo Drive and Motor

316 SS Construction - Other Materials of Construction Available

CV Pump Models			Maximum Dispensing	Piston Stroke		Piston Diameter		Cycle Speed	Air Consumption	Weight
	Pneumatic	Electric	Volume (cc)	mm	inch	mm	inch	(cpm) ^A	scfm (l/min) ^B	lbs (kg) ^C
MV5C	P	E	5	25.4	1	15.9	0.625	0-180	3.64 (103)	13.8 (6.2)
MV10C			10			22.2	0.875			
MV15C			15	76.2	3	15.9	0.625	0-120	11 (309)	19 (8.6)
MV20C			20	50.8	2	22.2	0.875	0-150	7.3 (206)	15.3 (7)
MV30C			30	76.2	3	22.2	0.875	0-120	11 (309)	16.8 (7.6)
MV33C			33	25.4	1	41.3	1.625	0-180	3.64 (103)	13.8 (6.2)
				50.8	2	31.8	1.25	0-150	7.3 (206)	15.3 (7)
MV60C			60	25.40	1	54.0	2.125	0-180	3.64 (103)	13.8 (6.2)
				50.8	2	41.3	1.625	0-150	7.3 (206)	15.3 (7)
MV67C			67	50.8	2	41.3	1.625	0-150	7.3 (206)	15.3 (7)
MV100C			100	76.2	3	41.3	1.625	0-120	11 (309)	16.8 (7.6)
MV116C			116	50.8	2	54.0	2.125	0-150	7.3 (206)	15.3 (7)
MV150C			150	114.3	4.5	41.3	1.625	0-90	16.4 (463)	19 (8.6)
MV175C			174	76.2	3	54.0	2.125	0-120	11 (309)	16.8 (7.6)
MV260C			260	114.3	4.5					

^A Depending on the application, the maximum cycle rate will vary ^B Calculated at full stroke at 100cpm, 75 PSI (5 Bar) ^C Pneumatic Drive Only

Check Valve Dispensing Pump

MV-C Series



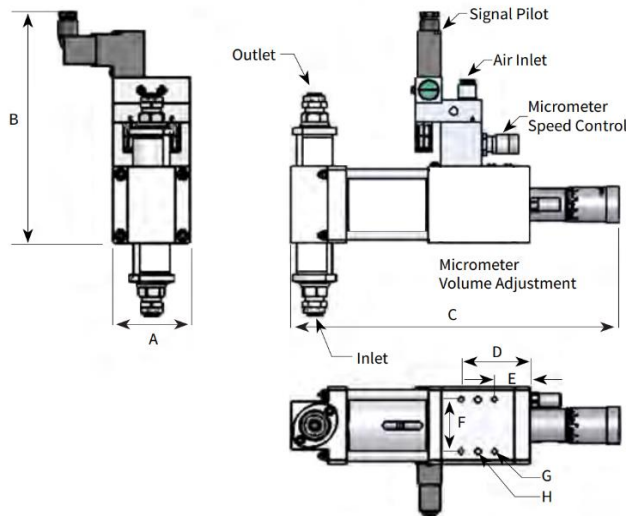
MEDIUM DISPENSING VOLUME

Fittings		
Type	Size	
	Inlet	Outlet
Sanitary	1/2" - 3/4"	1/2" - 3/4"
Swage	1/8" - 1/2"	1/8" - 3/8"
Tube	1/8" - 1/2"	1/8" - 3/8"
Hose	1/2" - 3/4"	1/2" - 5/8"

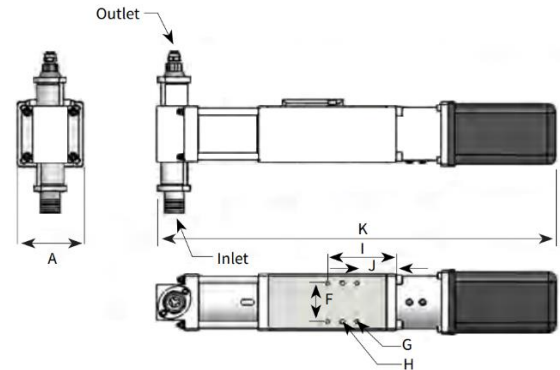
Special sizes and metric available upon request

O-rings & U-cups	
O-rings	U-cup Seals
Viton	Teflon
EP	UHMW
Silicon	
Buna	
Perfluor (Kalrez®)	

Pneumatic Drive



Servo Drive



CV Pump Models	Maximum Dispensing		External Dimensions (Inches[Metric])									
	Pneumatic	Electric	Volume (cc)	A	B	C	D	E	F	G	H	I/J/K
MV5C	P	E	5	2.95 [75]	8.9 [227]	11.5 [291]	2.6 [66]	1.35 [23]	2 [51]	M6x10 dp	Ø6x8mm dp [Ø0.237x 0.31dp]	Servo Drive Specific Contact your Hife Rep.
MV10C			10			15.4 [392]						
MV15C			15			19.4 [494]						
MV20C			20			15.4 [392]						
MV30C			30			19.4 [494]						
MV33C			33			11.5 [292]						
MV60C			60			15.4 [392]						
			67			11.5 [292]						
MV67C			67			15.4 [392]						
MV100C			100			19.4 [494]						
MV116C			116			15.4 [392]						
MV150C			150			21.2 [539]						
MV175C			174			19.4 [494]						
MV260C			260			21.2 [539]						



HIFE SYSTEMS LTD.
 Aurora Canada Heidenheim Germany Sorocaba Brazil Ningbo China

Contact Us:

Asia: sales@hife-battery.com – North America: sales.1@hife-canada.com

Europe: sales@hife-europe.com – South America: sales@hife-brasil.com