

INTRODUCING THE

# AODDampener™

POWERED BY **BLACOH™**

## ALL-NEW DAMPENER DESIGNED SPECIFICALLY FOR AODD PUMPS

316L Stainless with PTFE at a lower price than competitors' plastic and metal units.



ALL UNITS:  
PTFE BACKED  
DIAPHRAGM



ALL UNITS:  
316L  
STAINLESS  
STEEL  
HOUSING

1", 1.5" & 2"  
FNPT & BSP  
CONNECTION



FULLY  
AUTOMATIC  
AIR CONTROL



### WHAT MAKES THIS UNIT UNIQUE?



EASY TO SELL



EASY TO STOCK



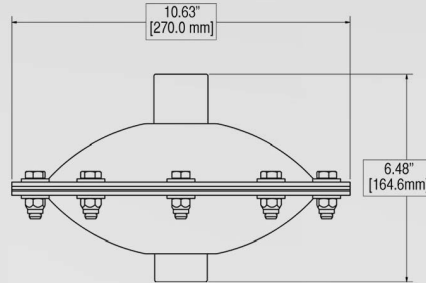
EASY TO USE

The new AODDampener is specifically designed for AODD pumps and constructed of 316L Stainless Steel with a PTFE diaphragm. This single configuration will allow the unit to handle most AODD applications and is great for off-the-shelf capabilities.

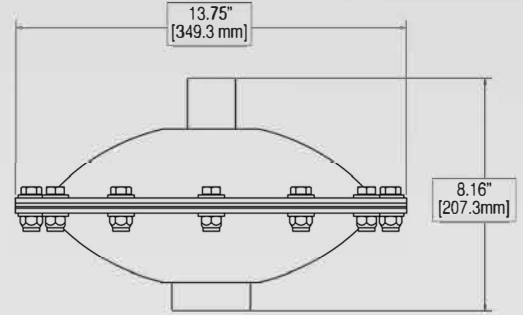
No longer will the cost of a dampener surpass the cost of an AODD pump. We are offering this product at a price lower than other manufacturers' plastic or metal units. Every Blacoh unit is manufactured in the United States to the highest standard so you can be assured that your unit is maximizing performance. Utilize this unit to improve your AODD pump, reduce harmful vibrations, and save on overall energy costs of your system.

# AODDampener™

COMPACT FOOTPRINT & LIGHTWEIGHT  
AVAILABLE IN 2 SIZES FOR CONVENIENT STOCKING



For 1" Pumps



For 1.5" & 2" Pumps

## Fully Automatic Air Control

Our newly designed fully automatic air control is connected internally to the diaphragm and automatically adjusts when needed for low air consumption.

### SPECIFICATIONS:

- OPTIONAL CERTIFICATIONS: ATEX
- PRESSURE RATING: 150 PSI/10.3 BAR
- 316L STAINLESS STEEL HOUSING
- PTFE BACKED DIAPHRAGM
- FITS 1.0, 1.5, & 2.0" AODD PUMPS
- NPT OR BSP INLET CONNECTION
- MADE IN THE USA

### FEATURES & BENEFITS:

- REDUCES PULSATION
- EXTENDS PUMP LIFE BETWEEN REBUILDS/MINIMIZE DOWN TIME
- PROTECTS IN-LINE EQUIPMENT
- COMPACT FOOTPRINT
- STANDARDIZED FOR EASY INSTALLTION

AODD Pump Size	AODDamp Part Number	Spare Parts Kit Number
1.0" [25.4mm]	AOD-10-NPT AOD-10-BSP	AOD-10-100
1.5" [38.1mm]	AOD-15-NPT AOD-15-BSP	AOD-15-100
2.0" [50.8mm]	AOD-20-NPT AOD-20-BSP	AOD-20-100

ATEX certification also available. Add -AT to end of part number.



800.603.7867 | 951.342.3100 | Sales@Blacoh.com  
Made in the USA. Offices Worldwide.

www.**BLACOH**.COM