

INTRODUCING THE

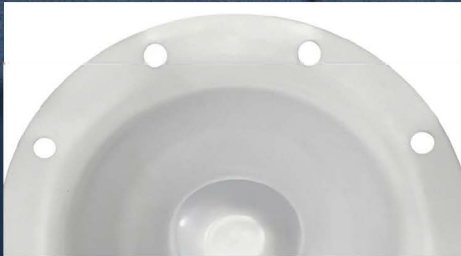
AODDampener™

POWERED BY



ALL-NEW DAMPENER DESIGNED SPECIFICALLY FOR AODD PUMPS

316L Stainless with PTFE at a lower price than competitors' plastic and metal units.



ALL UNITS:
PTFE BACKED
DIAPHRAGM



ALL UNITS:
316L
STAINLESS
STEEL
HOUSING

1", 1.5" & 2"
FNPT & BSP
CONNECTION



FULLY
AUTOMATIC
AIR CONTROL



WHAT MAKES THIS UNIT UNIQUE?



EASY TO SELL



EASY TO STOCK



EASY TO USE

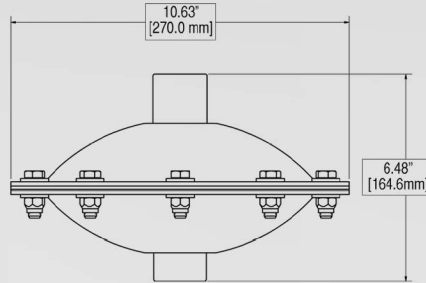
The new AODDampener is specifically designed for AODD pumps and constructed of 316L Stainless Steel with a PTFE diaphragm. This single configuration will allow the unit to handle most AODD applications and is great for off-the-shelf capabilities.

No longer will the cost of a dampener surpass the cost of an AODD pump. We are offering this product at a price lower than other manufacturers' plastic or metal units. Every Blacoh unit is manufactured in the United States to the highest standard so you can be assured that your unit is maximizing performance. Utilize this unit to improve your AODD pump, reduce harmful vibrations, and save on overall energy costs of your system.

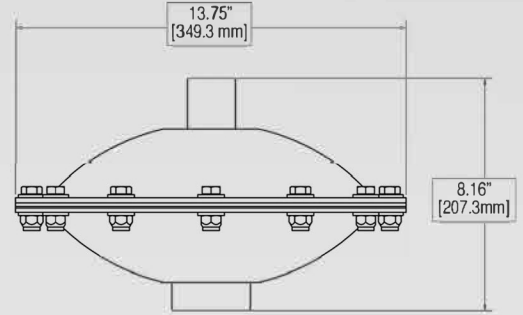


AODDampener™

COMPACT FOOTPRINT & LIGHTWEIGHT
AVAILABLE IN 2 SIZES FOR CONVENIENT STOCKING



For 1" Pumps



For 1.5" & 2" Pumps

Fully Automatic Air Control

Our newly designed fully automatic air control is connected internally to the diaphragm and automatically adjusts when needed for low air consumption.

SPECIFICATIONS:

- OPTIONAL CERTIFICATIONS: ATEX
- PRESSURE RATING: 150 PSI/10.3 BAR
- 316L STAINLESS STEEL HOUSING
- PTFE BACKED DIAPHRAGM
- FITS 1.0, 1.5, & 2.0" AODD PUMPS
- NPT OR BSP INLET CONNECTION
- MADE IN THE USA

FEATURES & BENEFITS:

- REDUCES PULSATION
- EXTENDS PUMP LIFE BETWEEN REBUILDS/MINIMIZE DOWN TIME
- PROTECTS IN-LINE EQUIPMENT
- COMPACT FOOTPRINT
- STANDARDIZED FOR EASY INSTALLTION

AODD Pump Size	AODDamp Part Number	Spare Parts Kit Number
1.0" [25.4mm]	AOD-10-NPT AOD-10-BSP	AOD-10-100
1.5" [38.1mm]	AOD-15-NPT AOD-15-BSP	AOD-15-100
2.0" [50.8mm]	AOD-20-NPT AOD-20-BSP	AOD-20-100

ATEX certification also available. Add -AT to end of part number.

CELEBRATING

50

YEARS OF EXPERIENCE

**EXPERIENCE INNOVATIVE
THINKERS AND PRODUCTS**



ALL ABOUT EXPERIENCE

allpumps.com.au

1300 255 786 | sales@allpumps.com.au