



## C Series Eccentric Disc Pump

### Seal-less Design

The Unique seal-less design features a double stainless steel bellows which ensures durability, safety and product containment. The C Series provides very high suction and discharge pressures which allows it to self-prime and fully strip lines, maximizing product recovery.

### Run Dry Capability

The C Series can run dry for up to 5 minutes, and the self-compensating eccentric disc principle provides consistent flow rates over a long period of time. The flow rate is extremely accurate even at low speeds.

### Dependable

There are fewer moving parts, which results in reduced maintenance and downtime.

### Advantages:

- Eccentric Disc design allows for consistent flow and improved energy savings
- Extremely gentle, pulse-free flow to protect shear-sensitive products
- Reduced maintenance with no mechanical seals or timing gears
- Easy to install

### Options:

- ISO PN 20 flanges / ANSI 150 Flange
- ISO PN 16 flanges
- Heating Jacket





# C Series Eccentric Disc Pump



## Operation:

- **Principle:** Eccentric Disc, positive displacement
- **Installation:** Can be base mounted or cart mounted for mobility

## Construction:

- Ductile iron construction
- Shaft sealed by double Stainless Steel bellows
- O-ring seals in FKM or coated FKM

## Features & Benefits:

- Seal-less design eliminates leakage
- Ability to strip and drain transfer piping/tubing
- Line-stripping capabilities
- Self-priming
- Strong Suction and Discharge Pressure
- Shear-sensitive handling
- Consistent flow rate independent of pressure
- Low linear speed
- Precise dosing
- Accurate volume metering with high turn down
- Dry-run capable
- Maintains performance over time
- Effective with both high- and low-viscosity fluids
- Easy integration

## Applications:

Suitable for most chemical and industrial transfer applications, in particular those that require consistent non-pulsing flow and gentle fluid handling (low shear rates), such as:

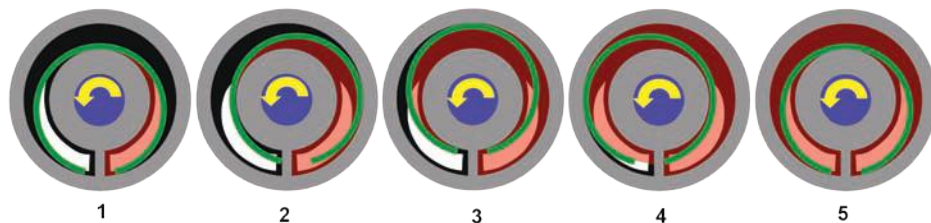
- Isocyanates
- Polyols
- Alcohol
- Acid
- Additives
- Solvents
- Glues: Starch, latex, etc.
- Paint & coatings: Paints, inks, resins, etc.
- Methacrylate
- Soda
- Ether
- Detergents



## Mouvex Technology

Eccentric disc pumps consist of a cylinder and pumping element mounted on an eccentric shaft. As the eccentric shaft is rotated, the pumping element forms chambers within the cylinder, which increase in size at the intake port, drawing fluid into the pumping chamber. The fluid is transported to the discharge port where the pumping chamber size is decreased. This action squeezes the fluid out into the discharge piping.

## Mouvex Principle

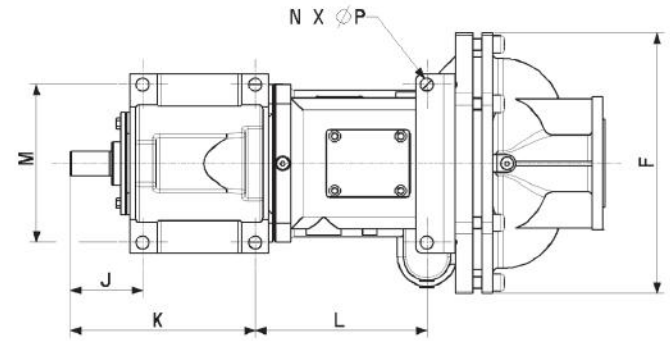
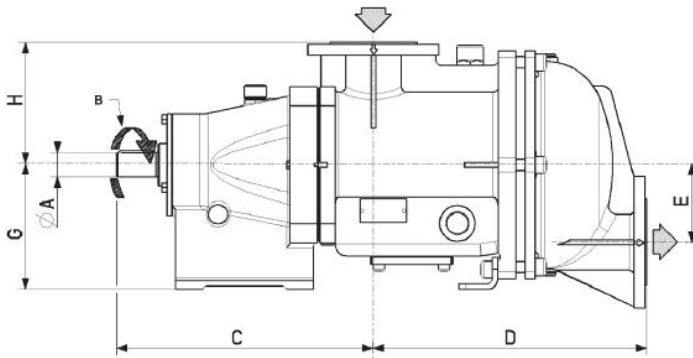


## Performance Data

Pump	Displacement		Maximum Flow Rate		Maximum Temperature		Maximum Differential Pressure		Maximum Speed	Ports Diameter	
	liters	gallons	m <sup>3</sup> /hr	gpm	°C	°F	bar	psi	rpm	DN	in
<b>C4a</b>	0.108	0.029	4	17.6	100°	212°	9	130.5	750	50	2
<b>C8a</b>	0.178	0.047	8	35.2	100°	212°	5	72.5	750	50	2
<b>C4a-HT</b>	0.108	0.029	4	17.6	160°	320°	9	130.5	750	50	2
<b>C8a-HT</b>	0.178	0.047	8	35.2	160°	320°	5	72.5	750	50	2
<b>C12a</b>	0.411	0.109	12	52.8	100°	212°	9	130.5	530	65	2½
<b>C18a</b>	0.617	0.163	18	79.3	100°	212°	6	87	530	65	2½



- Belows:** 316 Ti
- Disc:** GS Ductile Iron
- Cylinder:** GS Ductile Iron
- Body Case:** GS Ductile Iron
- O-rings:** FKM, FEP coated FKM
- Flanges:** PN 16, PN 20, ANSI 150



## Dimensions

Pump		A	B	C	D	E	F	G	H	J	K	L	M	N	P	Port	Weight
<b>C4a</b>	mm	20	6	233	242	67	254	120	127	—	150	172	152	4	4	50	43 kg
	in	0.79	0.24	9.17	9.53	2.64	10	4.72	5	—	5.91	6.77	5.98	0.16	0.16	2	94.80 lbs
<b>C8a</b>	mm	20	6	233	259	67	254	120	127	—	150	172	152	4	4	50	46 kg
	in	0.79	0.24	9.17	10.20	2.64	10	4.72	5	—	5.91	6.77	5.98	0.16	0.16	2	101.41 lbs
<b>C12a</b>	mm	35	10	310.5	384	109	363	175	12	101	157	239	220	6	6	65	115 kg
	in	1.38	0.39	12.22	15.12	4.29	14.29	6.89	0.47	3.98	6.18	9.41	8.66	0.24	0.24	2½	253.53 lbs
<b>C18a</b>	mm	35	10	310.5	384	109	363	175	172	101	157	239	220	6	6	65	120 kg
	in	1.38	0.39	12.22	15.12	4.29	14.29	6.89	6.77	3.98	6.18	9.41	8.66	0.24	0.24	2½	264.56 lbs

**CELEBRATING**

**50**

**YEARS OF EXPERIENCE**

**EXPERIENCE INNOVATIVE  
THINKERS AND PRODUCTS**



**ALL ABOUT EXPERIENCE**

[allpumps.com.au](http://allpumps.com.au)

**1300 255 786 | [sales@allpumps.com.au](mailto:sales@allpumps.com.au)**