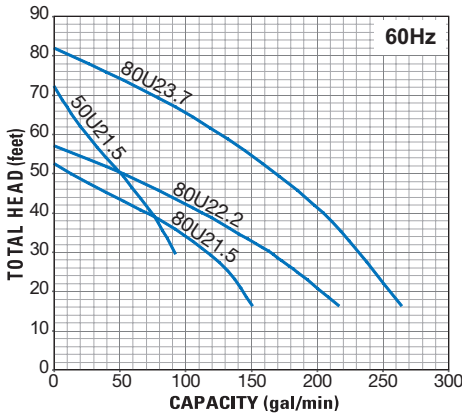


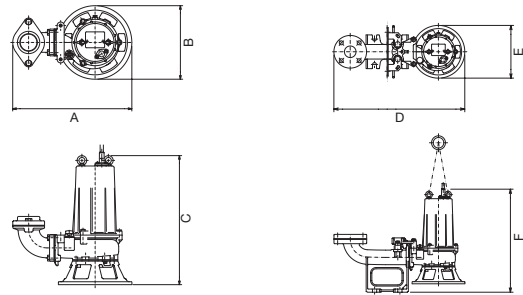
U SERIES | Semi-Vortex Cast Iron Impeller

Tsurumi's U-Series pumps provide exceptional capabilities for those small to mid-range applications in which solids and stringy materials can be problematic.



U Series pump with elbow

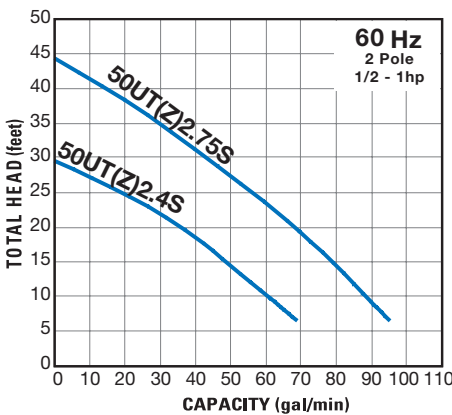
Dimension: Free Standing A / B / C Dimension: Guide Rail Fitting (TO / TOS) D / E / F



Three Phase Model	Motor Output (HP)	Rated Current Amps				RPM	Discharge Size (in.)	Dimensions (in.)						Max. Solids Dia. (in.)
		208V	230V	460V	575V			Free Standing Models			TOS Guide Rail Models			
								A	B	C	D	E	F	
50U21.5	2	6.2	5.9	3.1	2.3	3600	2	11 11/16	7 15/16	18 3/8	25 7/8	7 15/16	18 13/16	1.38
80U21.5	2	6.2	5.9	3.1	2.3	3600	3	16 9/16	7 15/16	19 5/8	24 1/8	7 15/16	23 11/16	1.81
80U22.2	3	9.4	8.8	4.4	3.5	3600	3	20 1/2	9 7/16	22 1/8	25 1/4	9 7/16	25 1/2	2.20
80U23.7	5	14.4	13.6	6.8	5.3	3600	3	20 1/2	9 3/16	22 1/4	25 1/4	9 3/16	25 9/16	1.81

UT • UTZ SERIES | Single Phase Cast Iron Submersible Sewage Pump

The UT pump is a compact economical cast iron pump, which has a large passage that makes it ideal for liquid containing various solids. Available in automatic operation (50UTZ2.4S / 2.75S), which are equipped with floats.



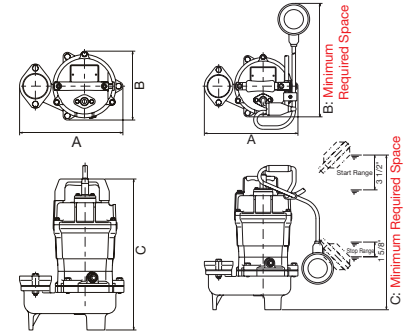
50UT2.4S



50UTZ2.4S

Dimension: 50UT2.4S/2.75S

Dimension: 50UTZ2.4S/2.75S



Single Phase Model	Motor Output (HP)	Rated Current Amps		RPM	Discharge Size (in.)	Dimensions (in.)			Max. Solids Dia. (in.)
		115V	230V			Free Standing Models			
						A	B	C	
50UT2.4S	1/2	5.7	3.4	3600	2	9 1/2	6 3/8	13 3/4	1.40
50UTZ2.4S	1/2	5.7	3.4	3600	2	9 1/2	11 5/8 ^{*1}	15 3/4 ^{*1}	1.40
50UT2.75S	1	9.9	5.2	3600	2	9 1/2	6 3/8	16	1.40
50UTZ2.75S	1	9.9	5.2	3600	2	9 1/2	11 5/8 ^{*1}	18 ^{*1}	1.40

(Suffix Z: Automatic Operation)

^{*1}: Minimum Required Space