



# CFX 75 H

## 1" x 1" Hose Connection End Suction Centrifugal Pump

Model CFX 75 H is a high performance 316 stainless steel centrifugal pump. The pump is ideal for marine, agricultural, commercial or industrial transfer applications of compatible fluids.

The CFX75 H model features all 316 stainless steel components for superior corrosion resistance when pumping chemical compounds. A carbon/ceramic/Viton bellows shaft seal is standard. Ports are 1" hose connections. Marine ignition protected motors available. Pump can be rotated in 90° increments.

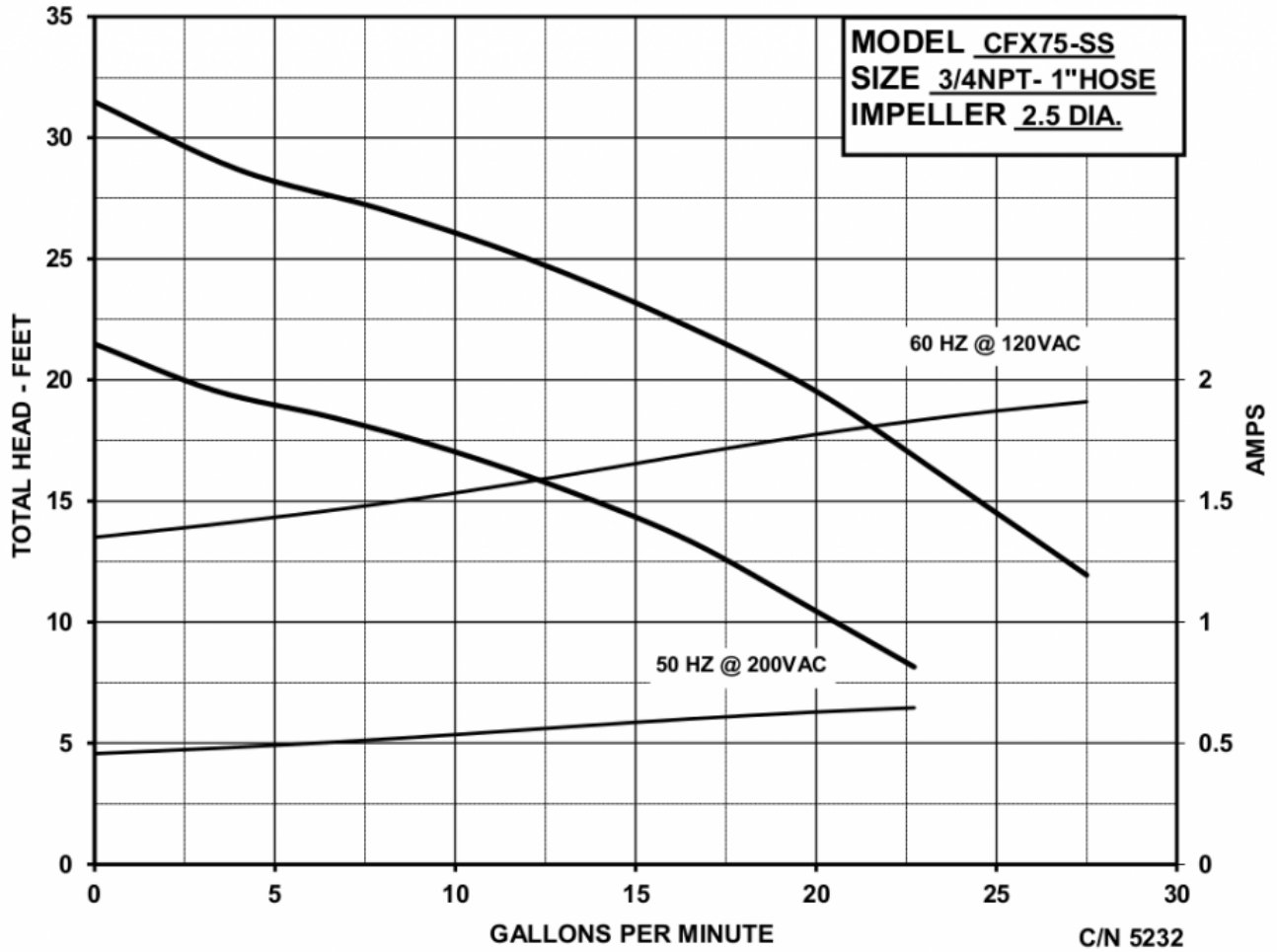


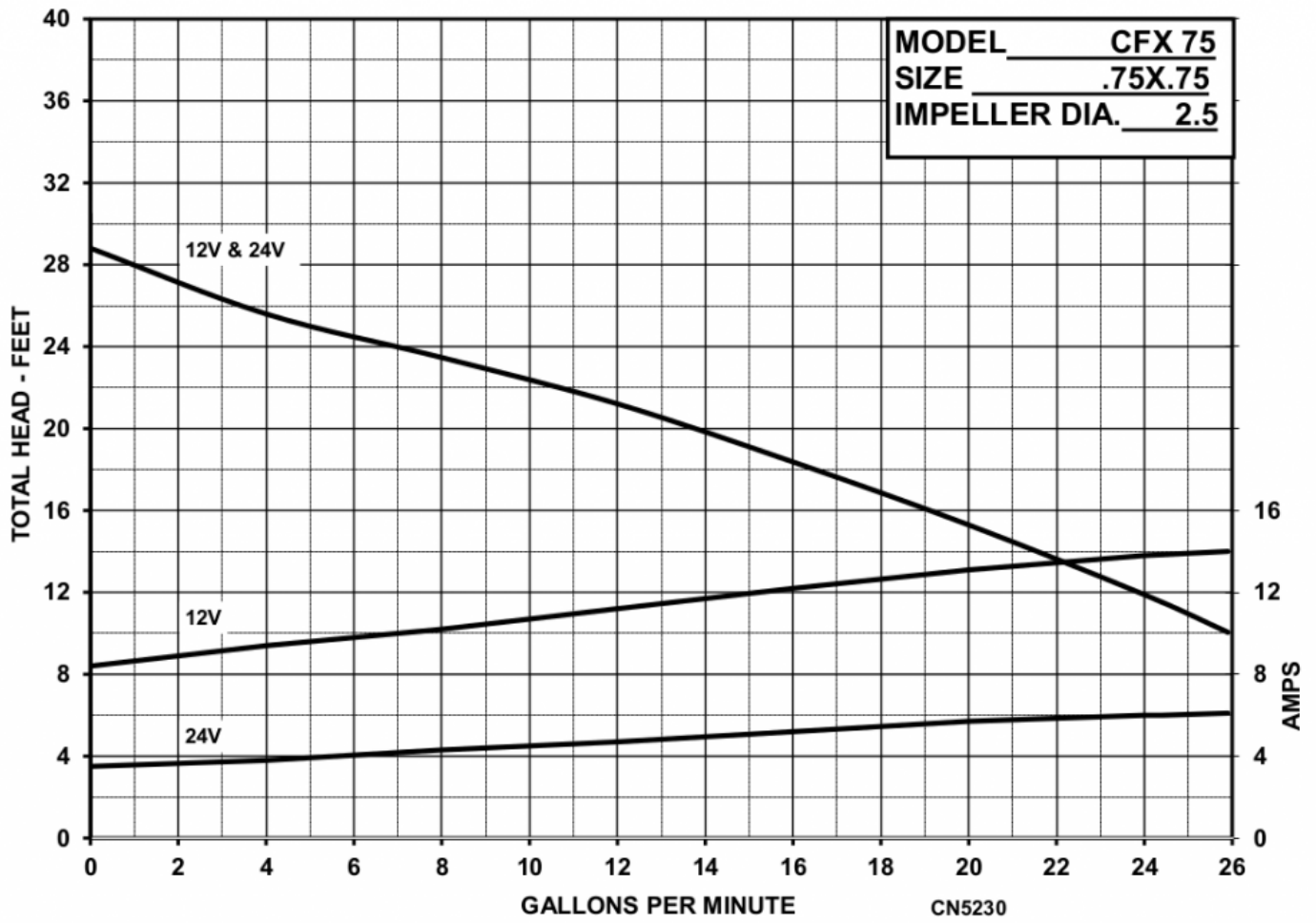
### SPECIFICATIONS:

Materials Of Construction	316 stainless steel
Flow	Up to 28 GPM
Impeller	316 stainless steel, semi-open (Sintered PM)
Drive Options	115VAC ODP and TENV, 12VDC, 24VDC, and 32VDC, 230 VAC TENV
Seal	Carbon/Ceramic/Viton Bellows 150 PSI, Special seals upon request
Housing	316 Stainless Steel (Investment Cast)
O Ring	Viton
Cover	316 Stainless Steel (Investment Cast)
Weights	Pump W/AC Motor 15 lbs., Pump W/DC Motor 9.5 lbs
Port Sizes	1" Hose Connections
Head Feet	Up to 32'

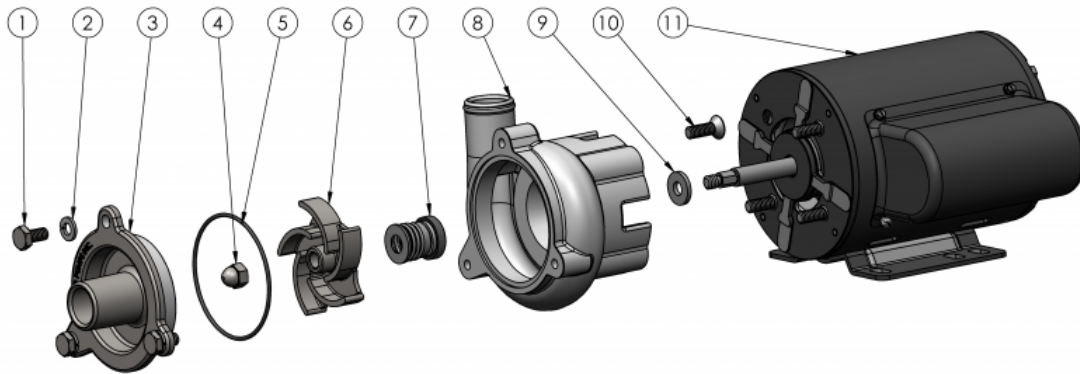
### Application

- Agricultural
- Commercial
- Industrial
- Marine



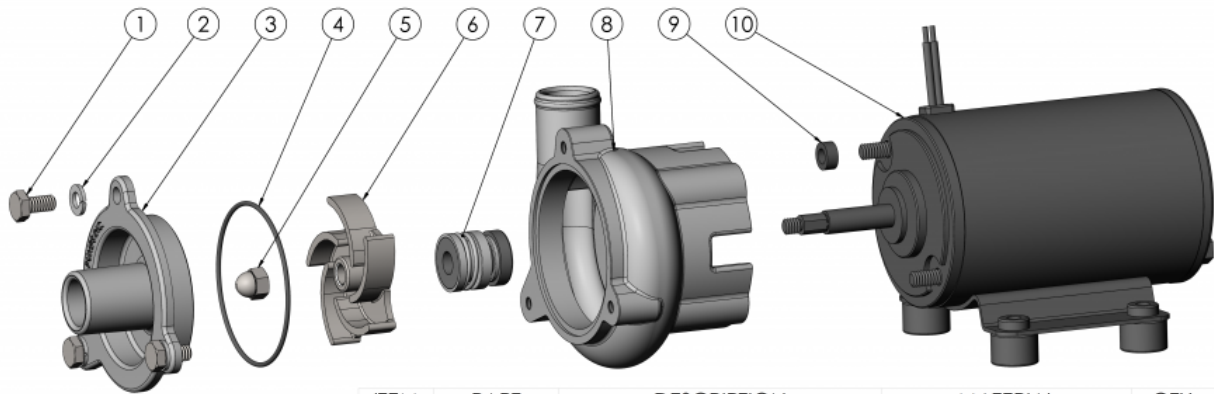






CFX 75 WITH AC MOTOR

ITEM NO.	PART NUMBER	DESCRIPTION	MATERIAL	QTY.
1	34037	CAPSCREW SS:HH 1/4-20 X1/2	316 SS	3
2	33564	LOCKWASHER 1/4"	304 SS	3
3	37239	COVER	316 SS	1
4	28766	ACORN NUT	316 SS	1
5	34040	O-RING AS-568-037	VITON	1
5	35497	O-RING AS-568-037	BUNA	1
6	34033	IMPELLER	316 SS	1
7	34038	SEAL ASSEMBLY T-16	CCV	1
7	28841	SEAL ASSEMBLY T-16	CAR/SIL ZETPOL	1
7	36055	SEAL ASSEMBLY T-16	CAR/SILCAR VITON	1
7	36863	SEAL ASSEMBLY T-21	CAR/SILCAR VITON	1
7	38266	SEAL ASSEMBLY T-16	CAR/CERAMIC EPDM	1
7	39170	SEAL ASSEMBLY T-21	SILCAR/SILCAR/VITON	1
8	37237	HOUSING	316 SS	1
9	21627	SLINGER	NEOPRENE	1
10	35924	FH SCREW 1/4-20 X 3/4	STEEL	4
11	34504	ELECTRIC MOTOR 115V AC	ODP	1



ITEM	PART	DESCRIPTION	MATERIAL	QTY.
1	34037	CAPSCREW SS:HH 1/4-20 X1/2	316 SS	3
2	33564	LOCKWASHER 1/4"	304 SS	3
3	37239	COVER	316 STAINLESS STEEL	1
4	34040	O-RING AS-568-037	VITON	1
4	35497	O-RING AS-568-037	BUNA	1
5	28766	ACORN NUT	316 SS	1
6	34033	IMPELLER	316 SS	1
7	34038	SEAL ASSEMBLY T-16	CCV	1
7	28841	SEAL ASSEMBLY T-16	CAR/SIL ZETPOL	1
7	36055	SEAL ASSEMBLY T-16	CAR/SILCAR VITON	1
7	36863	SEAL ASSEMBLY T-21	CAR/SILCAR VITON	1
7	38266	SEAL ASSEMBLY T-16	CAR/CERAMIC EPDM	1
7	39170	SEAL ASSEMBLY T-21	SILCAR/SILCAR/VITON	1
8	37237	HOUSING	316 SS	1
9	34369	GROMMET	BUNA	2
10	34036	ELECTRIC MOTOR 12V DC	TEFC	1
10	34293	ELECTRIC MOTOR 24V DC	TEFC	1

CFX 75H WITH DC MOTOR