



CFX 75 P

1" x 1" End Suction Centrifugal Pump

Model CFX 75 P is a high performance polyphenylene sulfide (PPS) centrifugal pump. The pump is ideal for marine, agricultural, commercial or industrial transfer applications of compatible fluids.

The CFX 75 P model features a polyphenylene sulfide pump with a 316 stainless steel impeller for superior corrosion resistance. A carbon/ceramic/Viton bellows shaft seal is standard. Ports are 1" hose connections. Marine ignition protected motors available. Pump can be rotated in 90° increments.

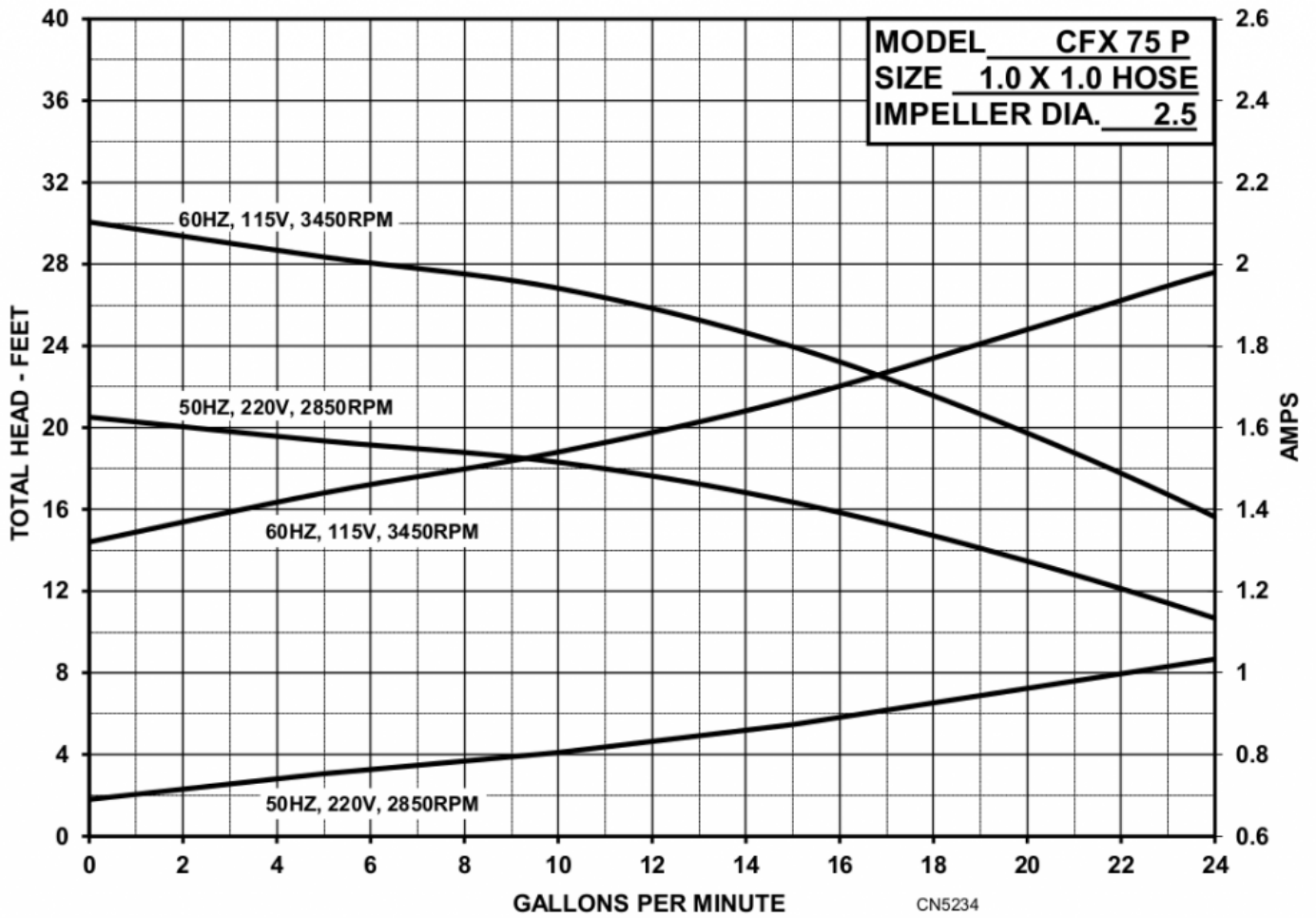


SPECIFICATIONS:

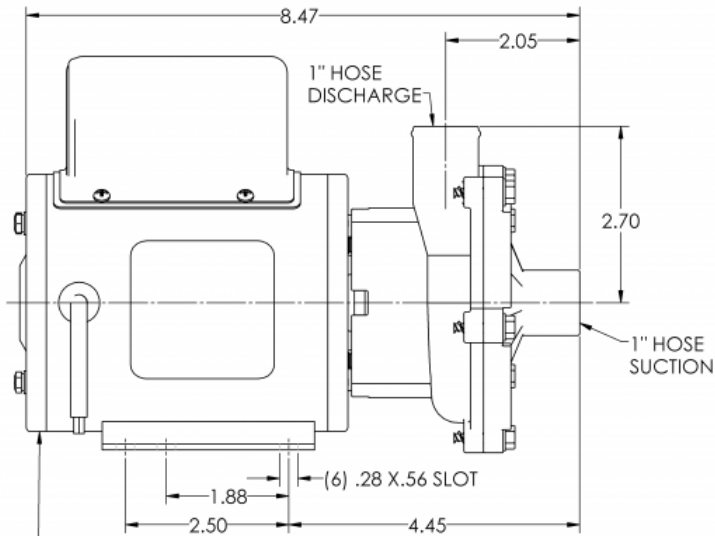
Impeller	316 Stainless steel, Semi-Open (Sintered PM)
Motor	115VAC, ODP and TENV, 230VAC TENV, 12VDC, 24VDC
Seal	Special seals upon request, Standard carbon/ceramic/Viton Bellows 150 PSI
Cover	Polyphenylene Sulfide
O Ring	Viton, EPDM
Port Sizes	1" Hose Connections
Housing	Polyphenylene Sulfide
Temperature	To 220 F (104 C)
Weights	Pump W/AC Motor 13 lbs., Pump W/DC Motor 7.5 lbs.
Head Feet	Up to 30'

Application

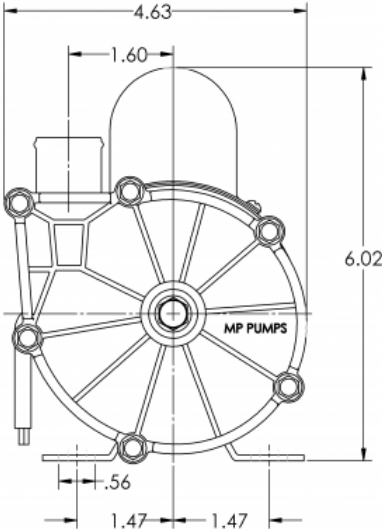
- Agricultural
- Commercial
- Industrial
- Marine



CFX 75 P



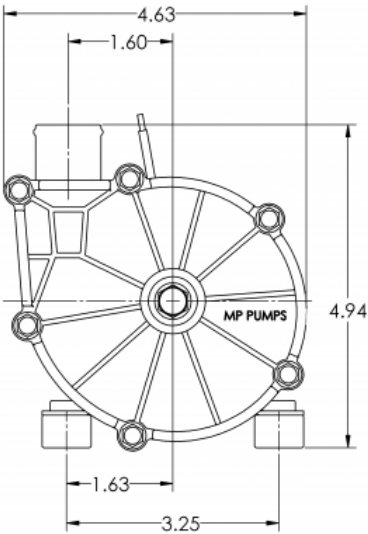
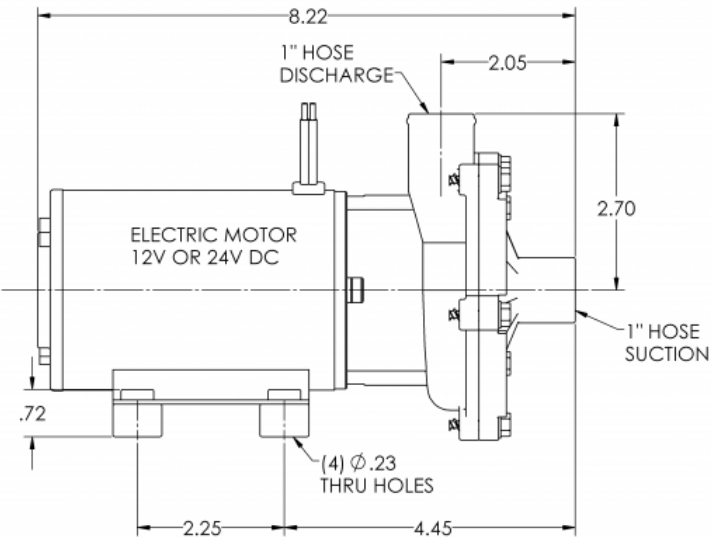
PSC MOTOR
 115VAC 60HZ SINGLE PHASE
 1/6HP 3450RPM 2.0FLA
 TENV ENCLOSURE
 CONTINUOUS DUTY
 AUTOMATIC THERMAL OVERLOAD



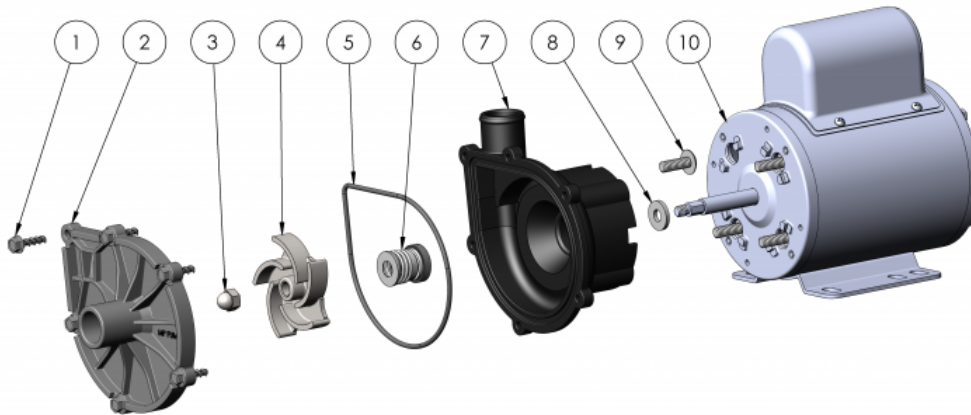
CFX 75 P WITH AC MOTOR



34800 BENNETT - FRASER, MI 48026-1686
 (586) 293-8240 - FAX (586) 293-8469
 (800) 563-8006 - www.mppumps.com

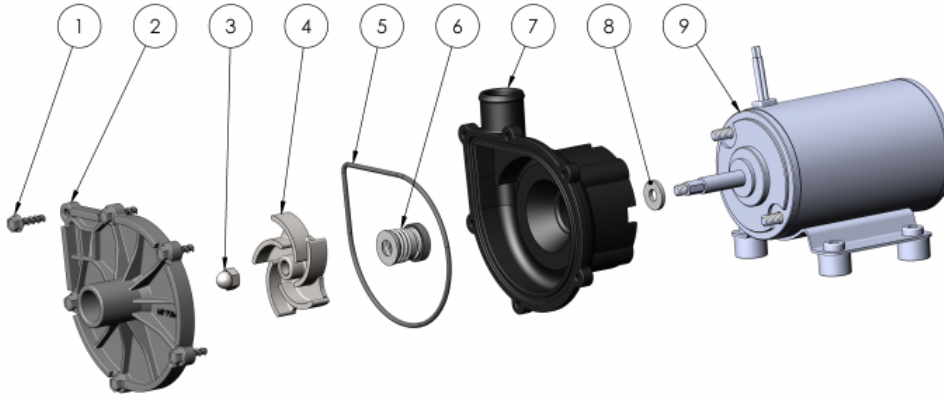


CFX 75 P WITH DC MOTOR



ITEM	PART	DESCRIPTION	MATERIAL	QTY.
1	37973	SCREW	ZINC PLATED STEEL	6
2	37279	COVER	RYTON	1
3	28766	ACORN NUT	316 SS	1
4	34033	IMPELLER	316 SS	1
5	34797	O-RING AS-568-154	VITON	1
5	39174	O-RING AS-568-154	EPDM	1
6	34038	SEAL ASSEMBLY T-16	CCV	1
6	28841	SEAL ASSEMBLY T-16	CAR/SIL ZETPOL	1
6	36055	SEAL ASSEMBLY T-16	CAR/SILCAR VITON	1
6	36863	SEAL ASSEMBLY T-21	CAR/SILCAR VITON	1
6	38266	SEAL ASSEMBLY T-16	CAR/CERAMIC EPDM	1
6	39170	SEAL ASSEMBLY T-21	SILCAR/SILCAR/VITON	1
7	37267	HOUSING	RYTON	1
8	21627	SLINGER	NEOPRENE	1
9	34969	TRUSS HEAD SCREW	ZPS	4
10	35178	ELECTRIC MOTOR 115V AC	TENV	1

CFX 75 P WITH AC MOTOR



ITEM	PART	DESCRIPTION	MATERIAL	QTY.
1	37973	SCREW	ZINC PLATED STEEL	6
2	37279	COVER	RYTON	1
3	28766	ACORN NUT	316 SS	1
4	34033	IMPELLER	316 SS	1
5	34797	O-RING AS-568-154	VITON	1
5	39174	O-RING AS-568-154	EPDM	1
6	34038	SEAL ASSEMBLY T-16	CCV	1
6	28841	SEAL ASSEMBLY T-16	CAR/SIL ZETPOL	1
6	36055	SEAL ASSEMBLY T-16	CAR/SILCAR VITON	1
6	36863	SEAL ASSEMBLY T-21	CAR/SILCAR VITON	1
6	38266	SEAL ASSEMBLY T-16	CAR/CERAMIC EPDM	1
6	39170	SEAL ASSEMBLY T-21	SILCAR/SILCAR/VITON	1
7	37267	HOUSING	RYTON	1
8	21627	SLINGER	NEOPRENE	1
9	34036	ELECTRIC MOTOR 12V DC	TEFC	1
9	34293	ELECTRIC MOTOR 24V DC	TEFC	1

CFX 75 P WITH DC MOTOR