



# CHEMFLO® 5

## HYDRAULIC

### 2" x 1-1/2" End Suction Centrifugal Pump

Made with high quality investment cast 316 stainless steel components, the ChemFlo® series of pumps are designed to be applied in a wide range of pumping applications where stainless steel is required.

The ChemFlo® 5 hydraulic pumps utilize an enclosed impeller designed for achieving higher heads and efficiencies than a standard semi-open impeller. Multiple hydraulic flows allow the ChemFlo® 5 to meet most duty points up to 300 GPM and total head up to 200 feet. Several mechanical seal options are available in addition to the standard type 2100 carbon / ceramic / Viton mechanical seal.

ChemFlo® 5 hydraulic pumps are offered with 1.16 or 1.59 cubic inch displacement SAE port fitting gerotor type motors for hydraulic flows up to 28 GPM and a maximum pressure of 1500 PSI. Some hydraulic motors are bi-rotational.



#### Application

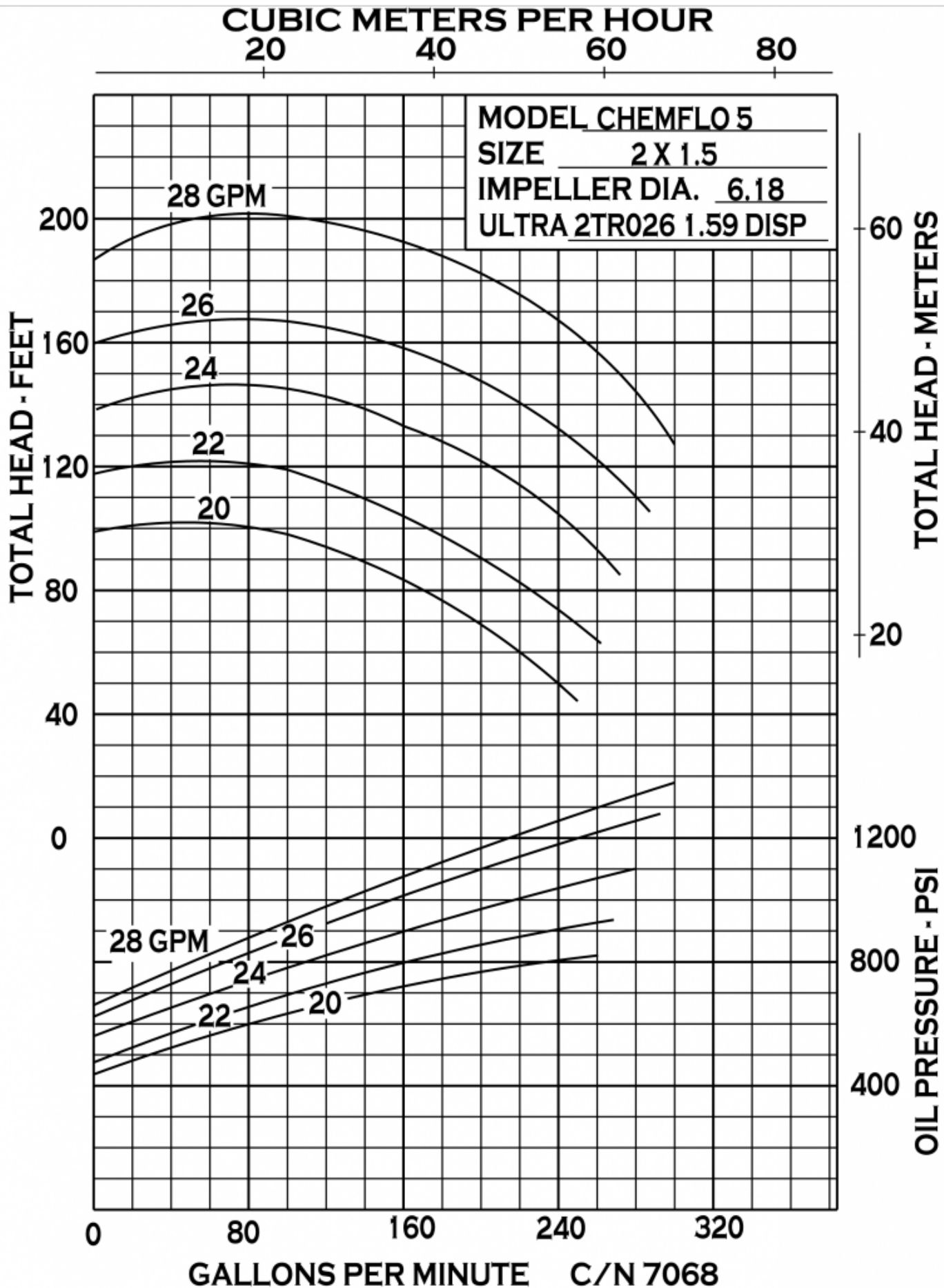
- Agricultural
- Commercial
- Industrial
- Marine
- OEM

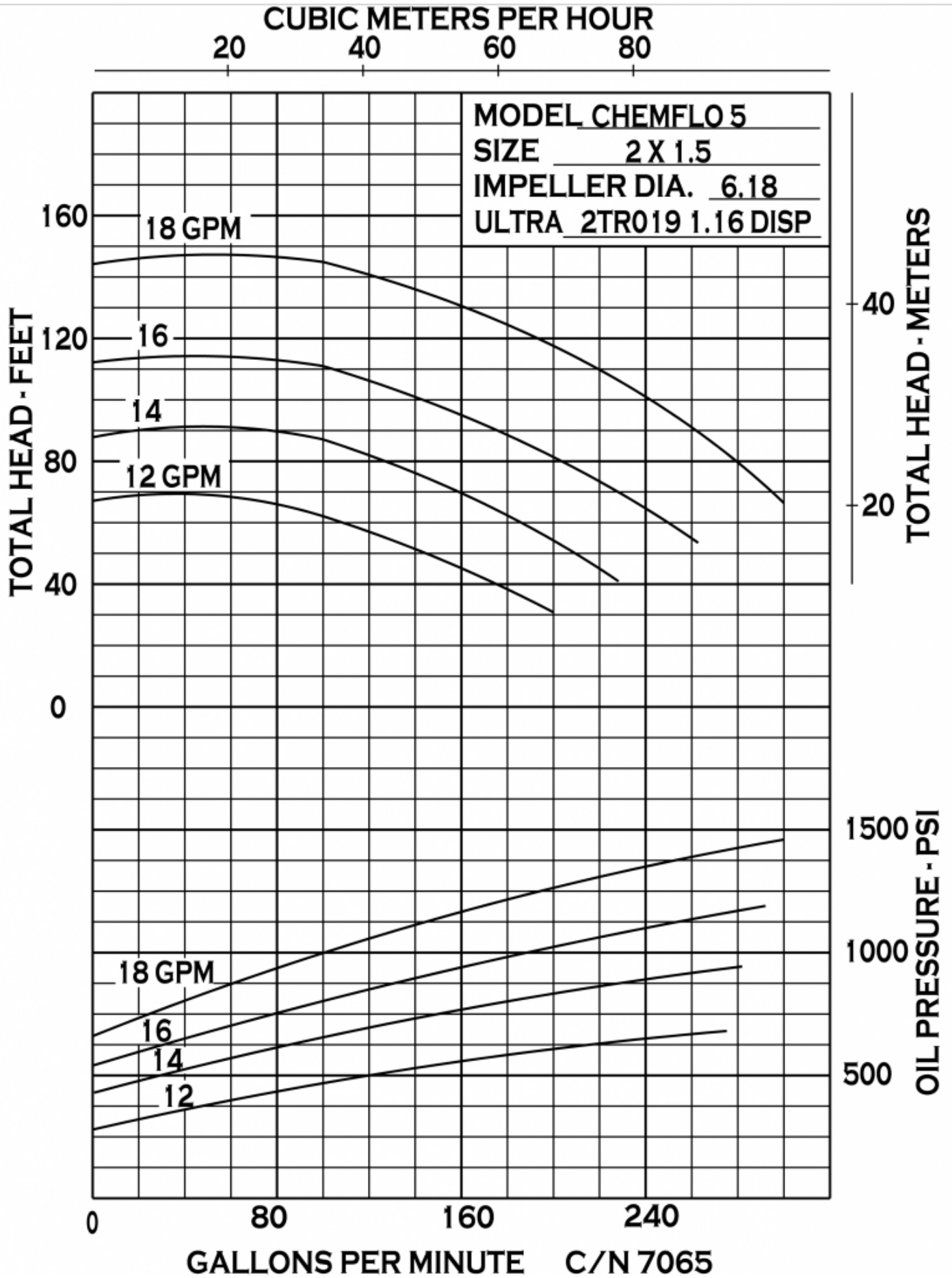
#### SPECIFICATIONS:

Suction And Discharge	2" x 1-1/2" ANSI 125# flange
Materials Of Construction	316 stainless steel
Flow	Up to 300 GPM
Head Feet	Up to 200'
Impeller	6.18" enclosed, cast 316 SS
Drive Options	Hydraulic motor 1.16 cu. in., Hydraulic motor 1.59 cu. in.
Seal	Special seal material combinations available (consult factory)
Hydraulic Fluid Flow	Up to 28 GPM
Hydraulic System Pressure	Up to 1500 PSI
Hydraulic Motor	Gerotor
Psi	Up to 85

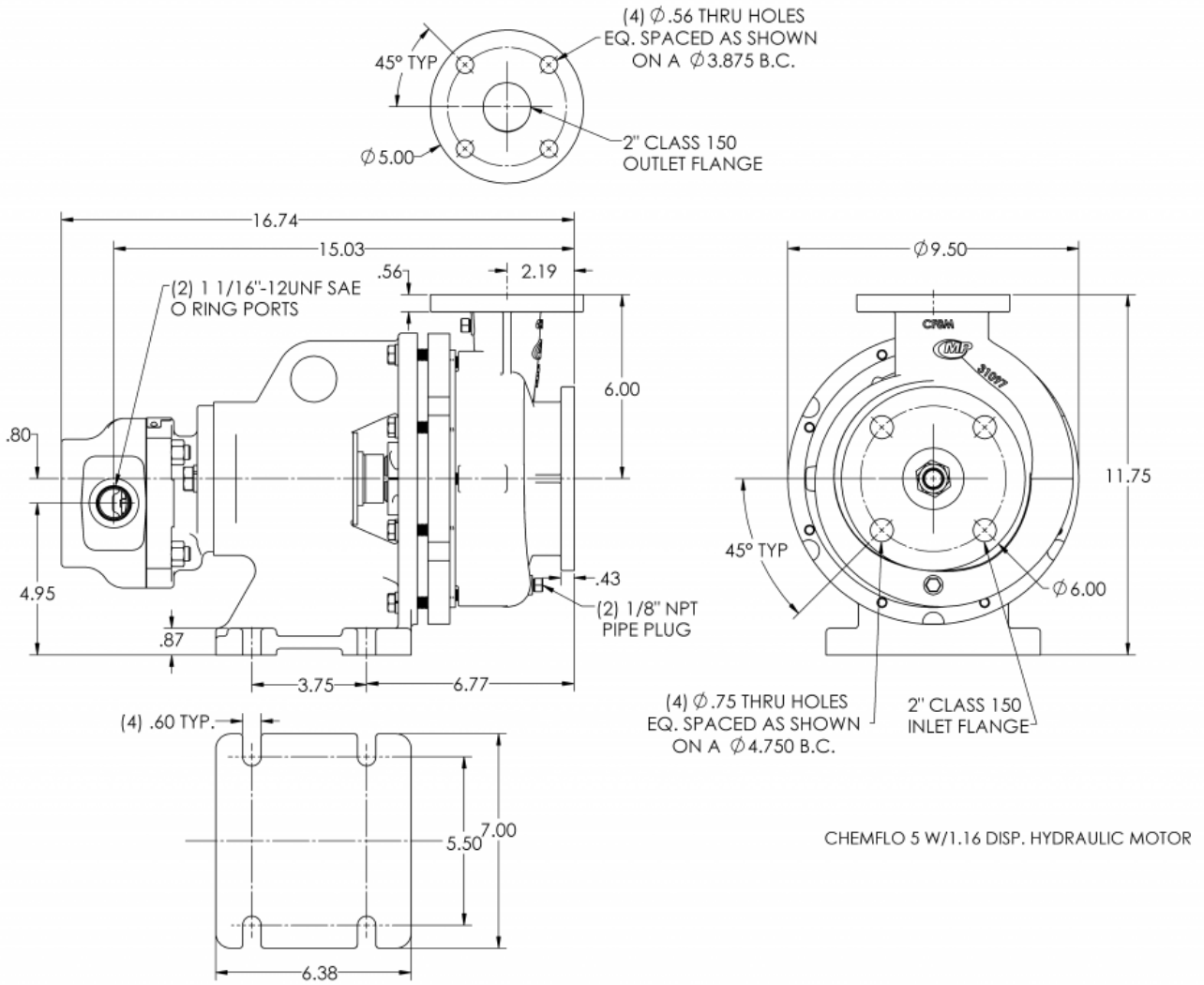


34800 BENNETT - FRASER, MI 48026-1686  
(586) 293-8240 - FAX (586) 293-8469  
(800) 563-8006 - [www.mppumps.com](http://www.mppumps.com)

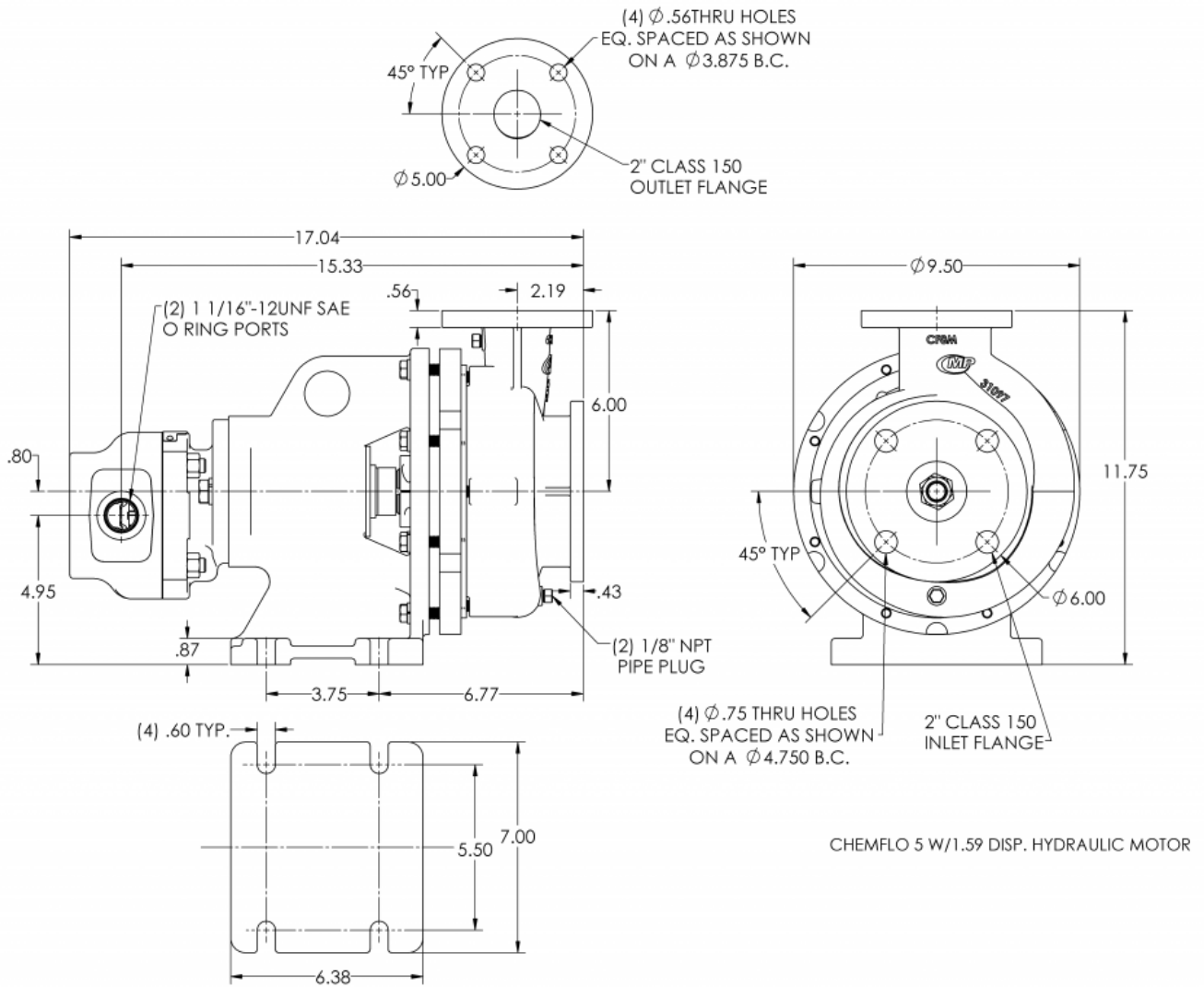




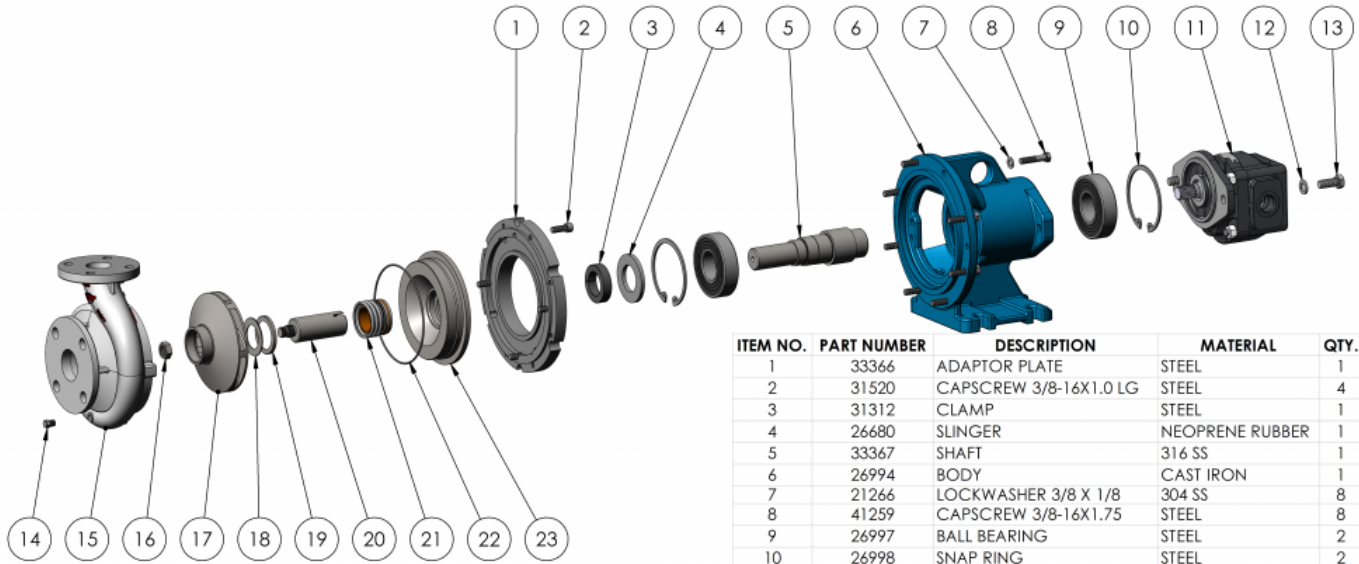
# CHEMFLO® 5 HYDRAULIC



# CHEMFLO® 5 HYDRAULIC



# CHEMFLO® 5 HYDRAULIC

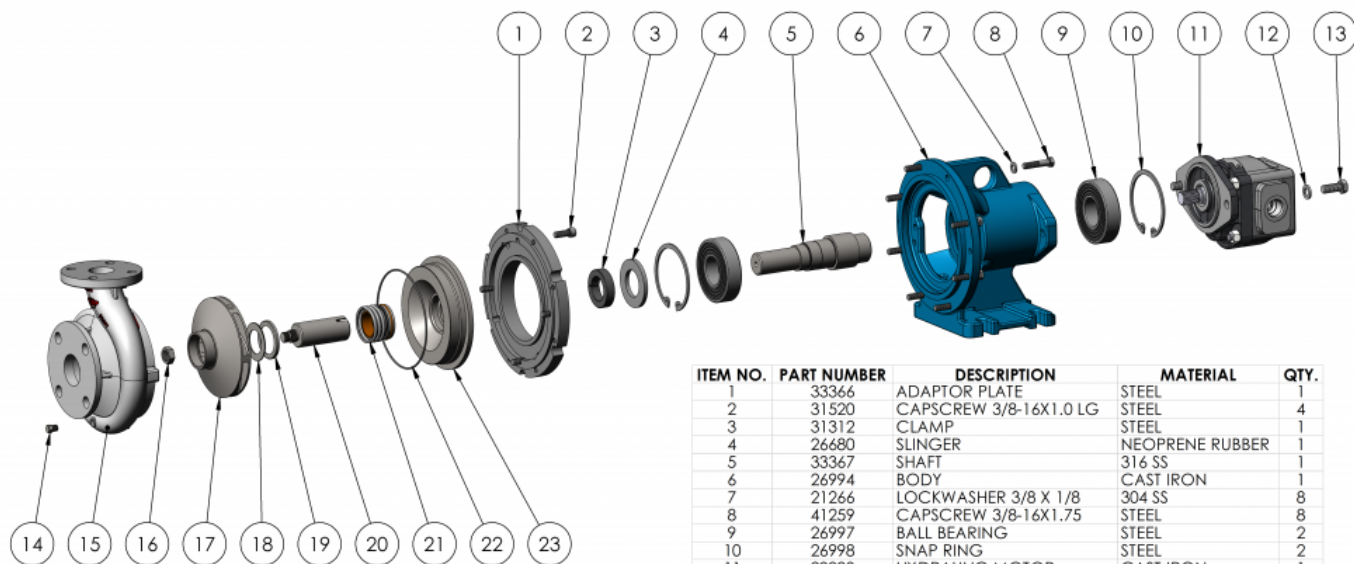


ITEM NO.	PART NUMBER	DESCRIPTION	MATERIAL	QTY.
1	33366	ADAPTOR PLATE	STEEL	1
2	31520	CAPSCREW 3/8-16X1.0 LG	STEEL	4
3	31312	CLAMP	STEEL	1
4	26680	SLINGER	NEOPRENE RUBBER	1
5	33367	SHAFT	316 SS	1
6	26994	BODY	CAST IRON	1
7	21266	LOCKWASHER 3/8 X 1/8	304 SS	8
8	41259	CAPSCREW 3/8-16X1.75	STEEL	8
9	26997	BALL BEARING	STEEL	2
10	26998	SNAP RING	STEEL	2
11	29992	HYDRAULIC MOTOR	CAST IRON	1
12	21254	LOCKWASHER 1/2"	304 SS	2
13	21246	CAPSCREW 1/2-13X1.25	304 SS	2
14	21255	PIPE PLUG 1/8" NPT	316 SS	2
15	31098	VOLUTE	CF8M SS	1
16	29194	HEX JAM NUT 5/8-18	316 SS	1
17	31096	IMPELLER Ø6.18	CF8M SS	1
17	31903	IMPELLER Ø5.90	CF8M SS	1
17	31780	IMPELLER Ø5.60	CF8M SS	1
17	31668	IMPELLER Ø5.10	CF8M SS	1
17	31461	IMPELLER Ø4.75	CF8M SS	1
17	31938	IMPELLER Ø4.50	CF8M SS	1
18	31372	SHIM	316 SS	1
19	34196	SPRING RETAINER	316 SS	1
20	31311	DRIVE SLEEVE	316 SS	1
21	31347	SEAL ASSEMBLY 1.5"	STC/316 SS	1
21	31374	SEAL ASSEMBLY 1.5"	CCS VITON	1
21	28170	SEAL ASSEMBLY 1.5"	EPDM	1
21	26461	SEAL ASSEMBLY 1.5"	SSC	1
21	26565	SEAL ASSEMBLY 1.5"	CHEMLON	1
22	30066	O-RING AS-568-163	SILICONE	1
22	31233	O-RING AS-568-163	VITON	1
22	33757	O-RING AS-568-163	EPDM	1
23	31093	HOUSING SEAL	CF8M SS	1

CHEMFLO 5 W/1.16 DISP. HYDRAULIC MOTOR



# CHEMFLO® 5 HYDRAULIC



ITEM NO.	PART NUMBER	DESCRIPTION	MATERIAL	QTY.
1	33366	ADAPTOR PLATE	STEEL	1
2	31520	CAPSCREW 3/8-16X1.0 LG	STEEL	4
3	31312	CLAMP	STEEL	1
4	26680	SLINGER	NEOPRENE RUBBER	1
5	33367	SHAFT	316 SS	1
6	26994	BODY	CAST IRON	1
7	21266	LOCKWASHER 3/8 X 1/8	304 SS	8
8	41259	CAPSCREW 3/8-16X1.75	STEEL	8
9	26997	BALL BEARING	STEEL	2
10	26998	SNAP RING	STEEL	2
11	29993	HYDRAULIC MOTOR	CAST IRON	1
12	21254	LOCKWASHER 1/2"	304 SS	2
13	21246	CAPSCREW 1/2-13X1.25	304 SS	2
14	21255	PIPE PLUG 1/8" NPT	316 SS	2
15	31098	VOLUTE	CF8M SS	1
16	29194	HEX JAM NUT 5/8-18	316 SS	1
17	31096	IMPELLER Ø6.18	CF8M SS	1
17	31903	IMPELLER Ø5.90	CF8M SS	1
17	31780	IMPELLER Ø5.60	CF8M SS	1
17	31668	IMPELLER Ø5.10	CF8M SS	1
17	31461	IMPELLER Ø4.75	CF8M SS	1
17	31938	IMPELLER Ø4.50	CF8M SS	1
18	31372	SHIM	316 SS	1
19	34196	SPRING RETAINER	316 SS	1
20	31311	DRIVE SLEEVE	316 SS	1
21	31347	SEAL ASSEMBLY 1.5"	STC/316 SS	1
21	31374	SEAL ASSEMBLY 1.5"	CCS VITON	1
21	28170	SEAL ASSEMBLY 1.5"	EPDM	1
21	26461	SEAL ASSEMBLY 1.5"	SSC	1
21	26565	SEAL ASSEMBLY 1.5"	CHEMLON	1
22	30066	O-RING AS-568-163	SILICONE	1
22	31233	O-RING AS-568-163	VITON	1
22	33757	O-RING AS-568-163	EPDM	1
23	31093	HOUSING SEAL	CF8M SS	1

CHEMFLO 5 W/1.59 DISP. HYDRAULIC MOTOR