



CHEMFLO® 7

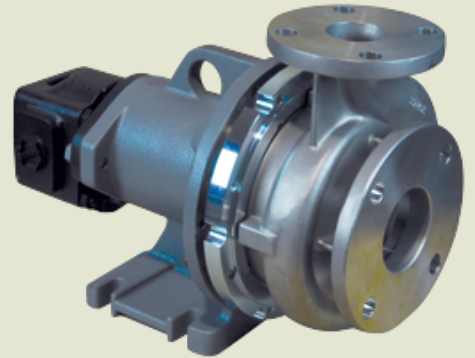
HYDRAULIC

2" x 1" End Suction Centrifugal Pump

Made with high quality investment cast 316 stainless steel components, the ChemFlo® series of pumps are designed to be applied in a wide range of pumping applications where stainless steel is required.

The ChemFlo® 7 hydraulic pumps utilize an enclosed impeller designed for achieving higher heads and efficiencies than a standard semi-open impeller. Multiple hydraulic flows allow the ChemFlo® 7 to meet most duty points up to 240 GPM and total head up to 340 feet. Several mechanical seal options are available in addition to the standard type 2100 carbon / ceramic / Viton mechanical seal.

ChemFlo® 7 hydraulic pumps are offered with 1.16 or 1.59 cubic inch displacement SAE port fitting gerotor type motors for hydraulic flows up to 28 GPM and a maximum pressure of 2000 PSI. Some hydraulic motors are bi-rotational.



Application

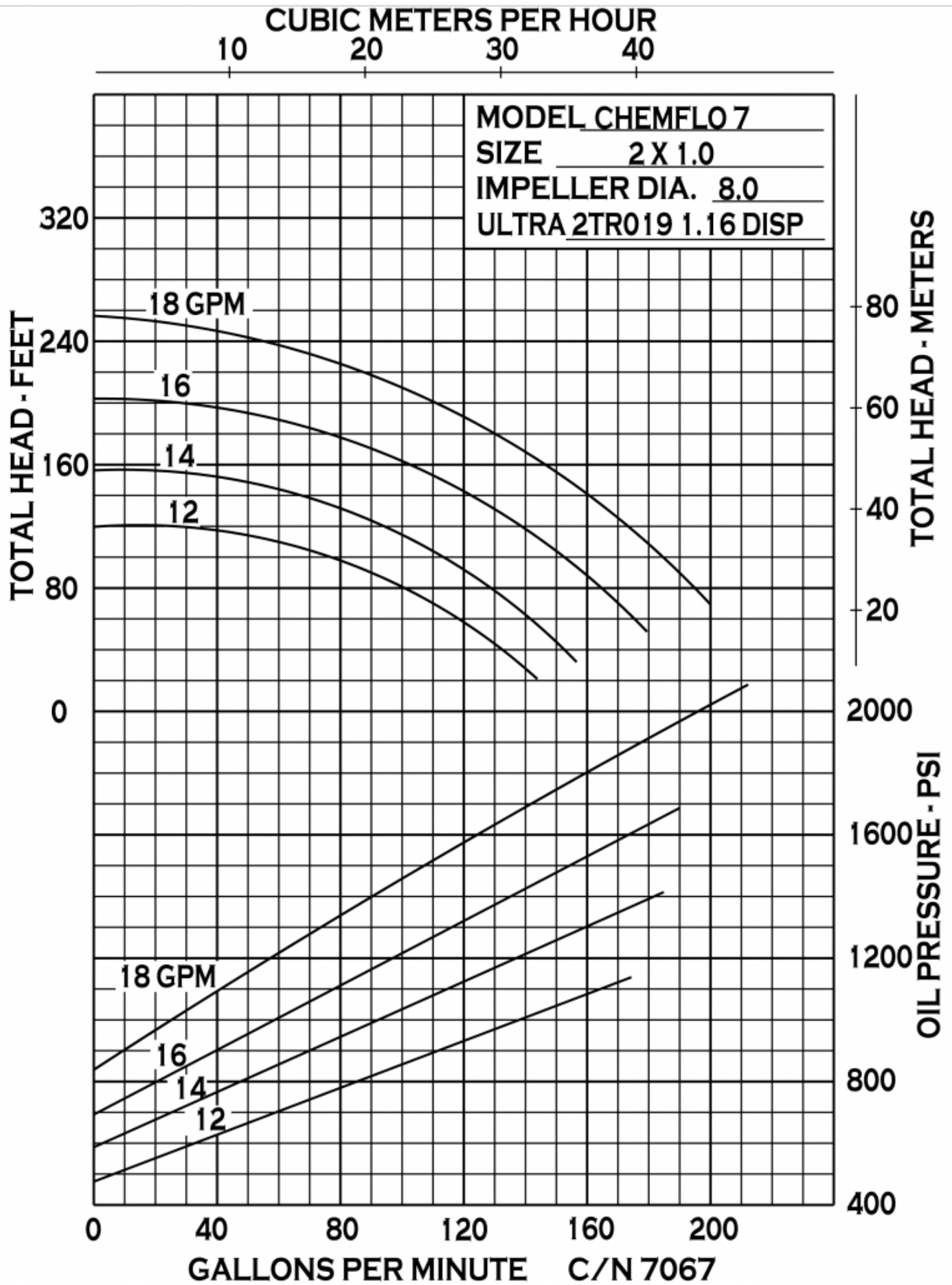
- Agricultural
- Commercial
- Industrial
- Marine
- OEM

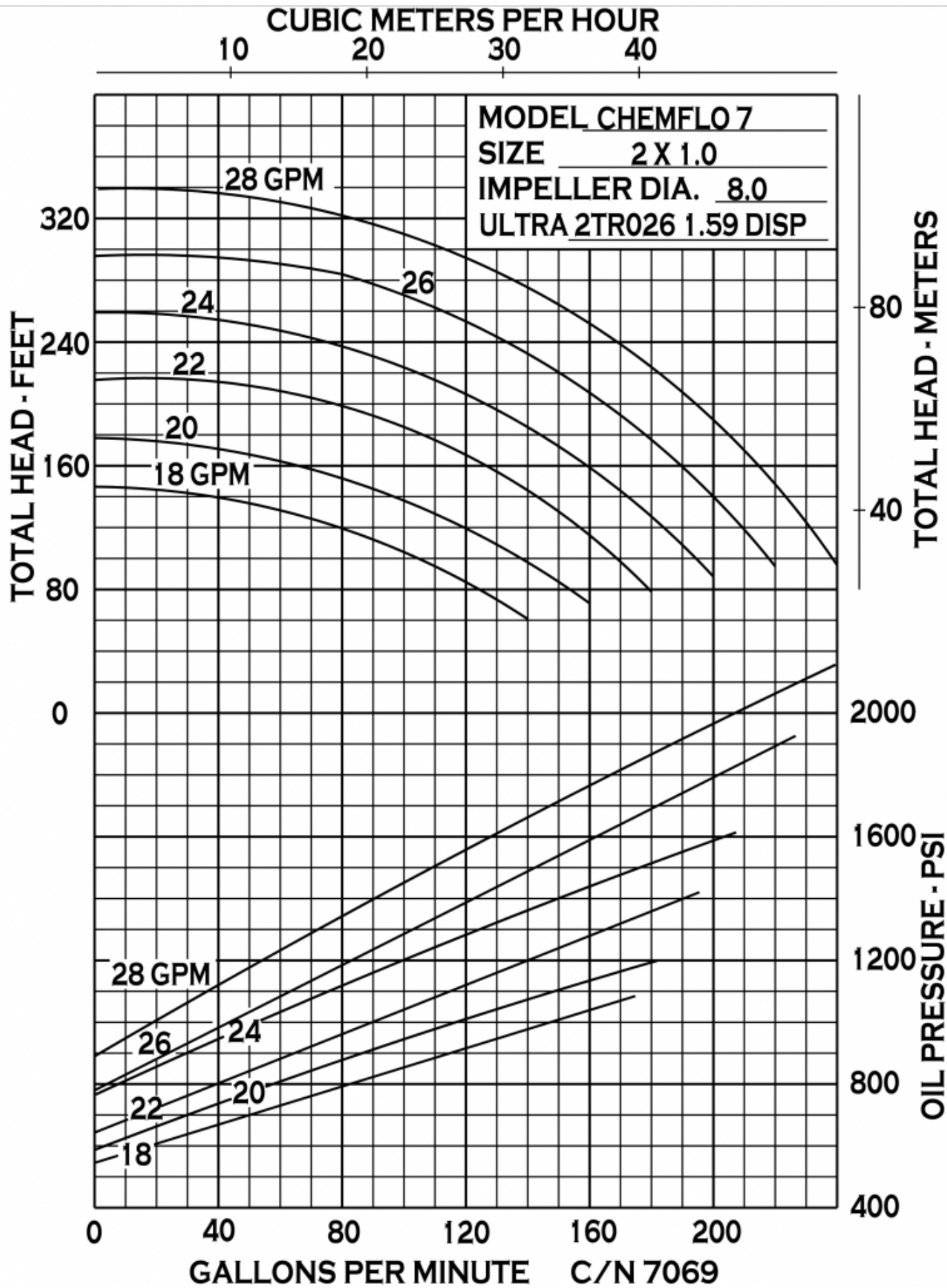
SPECIFICATIONS:

Suction And Discharge	2" x 1" 125# ANSI flange
Materials Of Construction	316 stainless steel
Flow	Up to 240 GPM
Head Feet	Up to 330'
Impeller	8.0" enclosed, cast 316 SS
Drive Options	Hydraulic motor 1.16 cu. in., Hydraulic motor 1.59 cu. in.
Seal	Special seal material combinations available (consult factory), Standard carbon / ceramic / Viton
Hydraulic Fluid Flow	Up to 28 GPM
Hydraulic System Pressure	Up to 2100 PSI
Hydraulic Motor	Gear
Psi	Up to 142



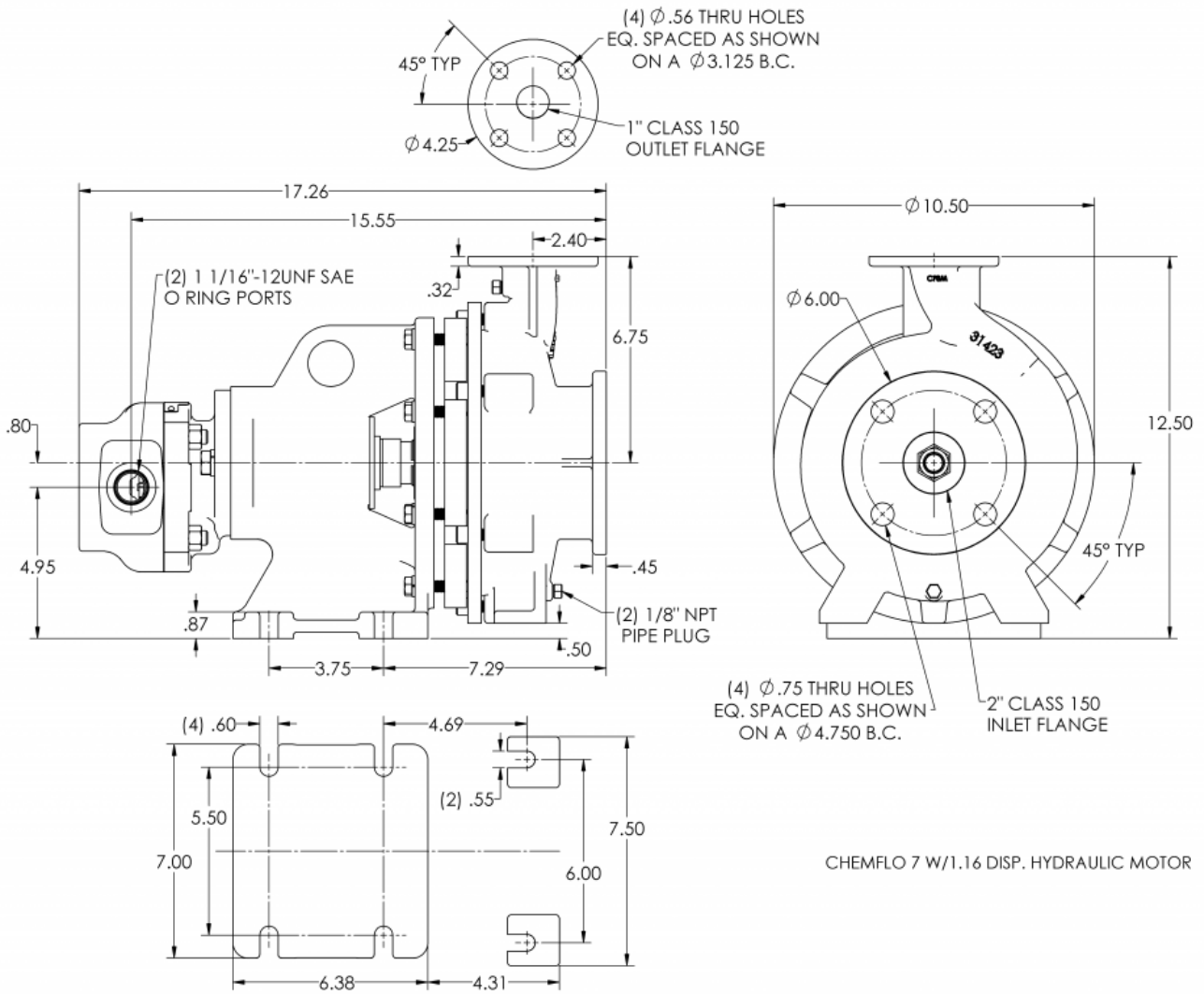
34800 BENNETT - FRASER, MI 48026-1686
(586) 293-8240 - FAX (586) 293-8469
(800) 563-8006 - www.mppumps.com



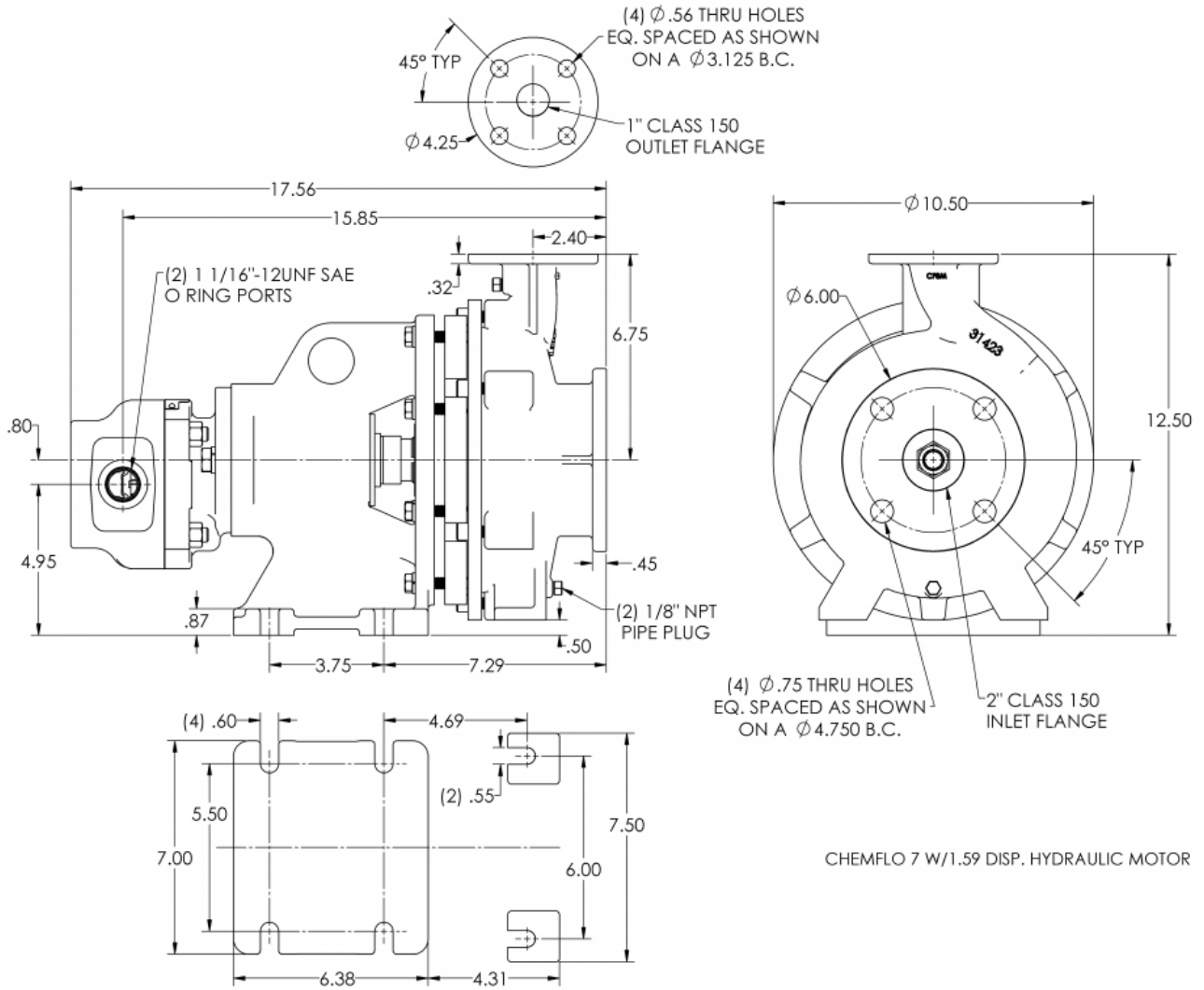


34800 BENNETT - FRASER, MI 48026-1686
 (586) 293-8240 - FAX (586) 293-8469
 (800) 563-8006 - www.mppumps.com

CHEMFLO® 7 HYDRAULIC



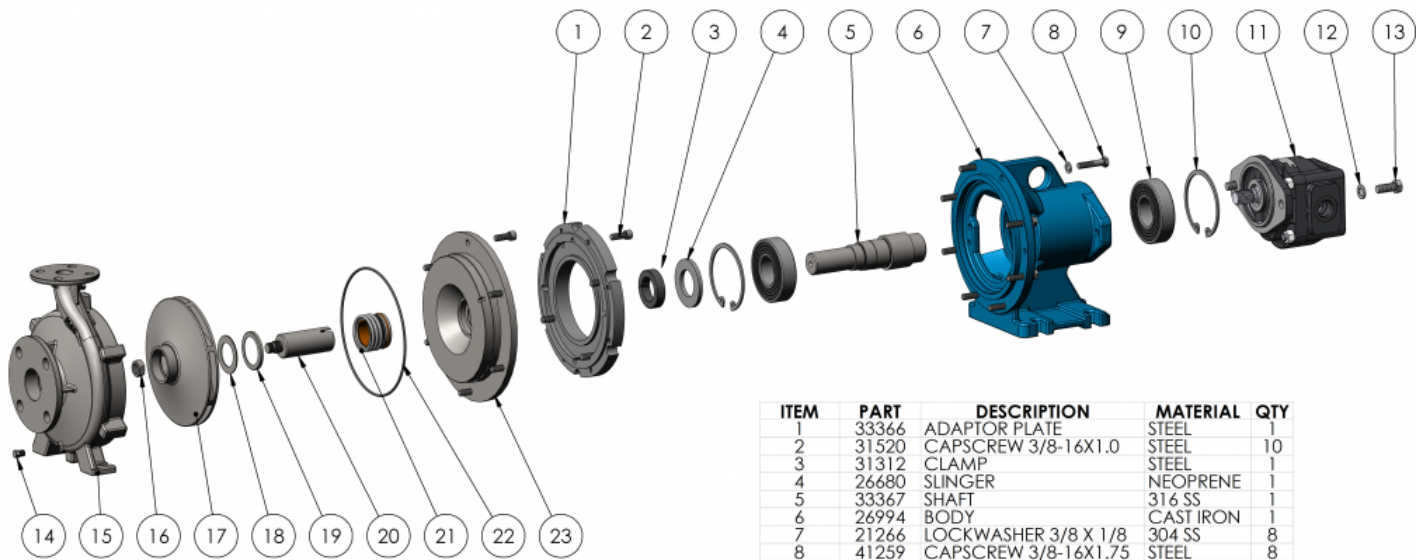
CHEMFLO® 7 HYDRAULIC



34800 BENNETT - FRASER, MI 48026-1686
 (586) 293-8240 - FAX (586) 293-8469
 (800) 563-8006 - www.mppumps.com

CHEMFLO® 7 HYDRAULIC

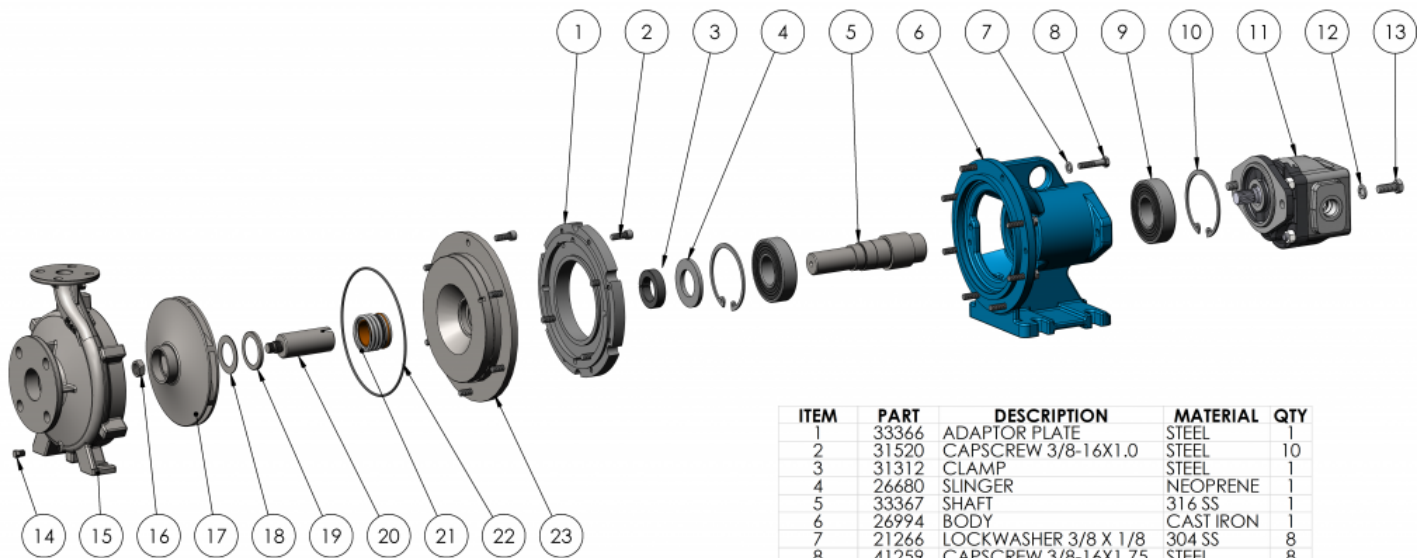
CHEMFLO® 7 HYDRAULIC



ITEM	PART	DESCRIPTION	MATERIAL	QTY
1	33366	ADAPTOR PLATE	STEEL	1
2	31520	CAPSCREW 3/8-16X1.0	STEEL	10
3	31312	CLAMP	STEEL	1
4	26680	SLINGER	NEOPRENE	1
5	33367	SHAFT	316 SS	1
6	26994	BODY	CAST IRON	1
7	21266	LOCKWASHER 3/8 X 1/8	304 SS	8
8	41259	CAPSCREW 3/8-16X1.75	STEEL	8
9	26997	BALL BEARING	STEEL	2
10	26998	SNAP RING	STEEL	2
11	29992	HYDRAULIC MOTOR	CAST IRON	1
12	21254	LOCKWASHER 1/2"	304 SS	2
13	21246	CAPSCREW 1/2-13X1.25	304 SS	2
14	21255	PIPE PLUG 1/8" NPT	316 SS	2
15	31424	VOLUTE	CF8M SS	1
16	29194	HEX JAM NUT 5/8-18	316 SS	1
17	31429	IMPELLER Ø7.95	CF8M SS	1
17	31953	IMPELLER Ø7.50	CF8M SS	1
17	31954	IMPELLER Ø6.75	CF8M SS	1
17	31955	IMPELLER Ø6.50	CF8M SS	1
18	31372	SHIM	316 SS	1
19	34196	SPRING RETAINER	316 SS	1
20	31311	DRIVE SLEEVE	316 SS	1
21	31347	SEAL ASSEMBLY 1.5"	STC/316 SS	1
21	31374	SEAL ASSEMBLY 1.5"	CCS VITON	1
21	28170	SEAL ASSEMBLY 1.5"	EPDM	1
21	26461	SEAL ASSEMBLY 1.5"	SSC	1
21	26565	SEAL ASSEMBLY 1.5"	CHEMLON	1
22	31430	O-RING AS-568-265	VITON	1
22	39262	O-RING AS-568-265	EPDM	1
22	39411	O-RING AS-568-265	BUNA	1
23	31426	SEAL HOUSING	CF8M SS	1

CHEMFLO 7 W/1.16 DISP. HYDRAULIC MOTOR

CHEMFLO® 7 HYDRAULIC



ITEM	PART	DESCRIPTION	MATERIAL	QTY
1	33366	ADAPTOR PLATE	STEEL	1
2	31520	CAPSCREW 3/8-16X1.0	STEEL	10
3	31312	CLAMP	STEEL	1
4	26680	SLINGER	NEOPRENE	1
5	33367	SHAFT	316 SS	1
6	26994	BODY	CAST IRON	1
7	21266	LOCKWASHER 3/8 X 1/8	304 SS	8
8	41259	CAPSCREW 3/8-16X1.75	STEEL	8
9	26997	BALL BEARING	STEEL	2
10	26998	SNAP RING	STEEL	2
11	29993	HYDRAULIC MOTOR	CAST IRON	1
12	21254	LOCKWASHER 1/2"	304 SS	2
13	21246	CAPSCREW 1/2-13X1.25	304 SS	2
14	21255	PIPE PLUG 1/8" NPT	316 SS	2
15	31424	VOLUTE	CF8M SS	1
16	29194	HEX JAM NUT 5/8-18	316 SS	1
17	31429	IMPELLER Ø7.95	CF8M SS	1
17	31953	IMPELLER Ø7.50	CF8M SS	1
17	31954	IMPELLER Ø6.75	CF8M SS	1
71	31955	IMPELLER Ø6.50	CF8M SS	1
18	31372	SHIM	316 SS	1
19	34196	SPRING RETAINER	316 SS	1
20	31311	DRIVE SLEEVE	316 SS	1
21	31347	SEAL ASSEMBLY 1.5"	STC/316 SS	1
21	31374	SEAL ASSEMBLY 1.5"	CCS VITON	1
21	28170	SEAL ASSEMBLY 1.5"	EPDM	1
21	26461	SEAL ASSEMBLY 1.5"	SSC	1
21	26565	SEAL ASSEMBLY 1.5"	CHEMLON	1
22	31430	O-RING AS-568-265	VITON	1
22	39262	O-RING AS-568-265	EPDM	1
22	39411	O-RING AS-568-265	BUNA	1
23	31426	SEAL HOUSING	CF8M SS	1

CHEMFLO 7 W/1.59 DISP. HYDRAULIC MOTOR