



CHEMFLO® 9

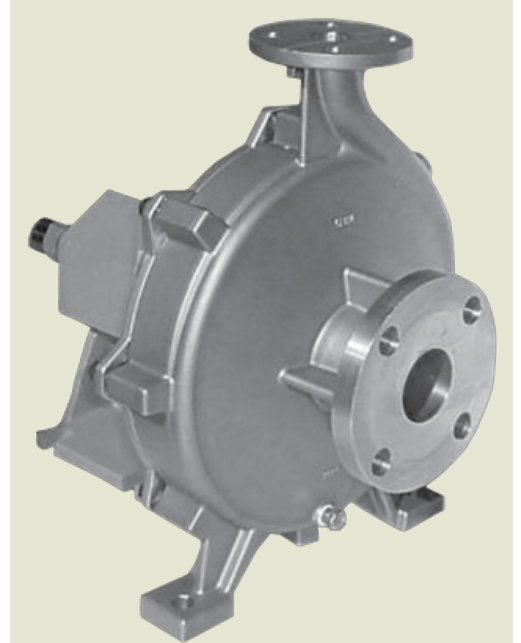
PEDESTAL

2" x 1" End Suction Centrifugal Pump

Made with high quality investment cast 316 stainless steel components, the ChemFlo® series of pumps are designed to be applied in a wide range of pumping applications where stainless steel is required.

The ChemFlo® 9 pumps utilize an enclosed impeller designed for achieving higher heads and efficiencies than a standard semi-open impeller. Multiple impeller trims allow the ChemFlo® 9 to meet most duty points up to 270 GPM and total head up to 460 feet. Several mechanical seal options are available in addition to the standard type 2100 carbon / ceramic / Viton mechanical seal.

All wetted components are 316 investment cast stainless steel providing superior corrosion resistance when pumping chemical compounds. The Chemflo® 9 pedestal uses a pump end (PumPAK®) design that is interchangeable with 145TC, 184TC, 215TC, 256TC, 286TSC, or 324TS electric motors. If ordering a PumPAK® with a 145TC please note that the electric motor must have a base.



SPECIFICATIONS:

Suction And Discharge	2" x 1" 150# ANSI flange
Materials Of Construction	316 stainless steel
Flow	Up to 270 GPM
Head Feet	Up to 460'
Impeller	9.95" enclosed, cast 316 stainless steel
Drive Options	Close coupled 184TC, Close coupled 215TC, Close coupled 256TC, Close coupled 286TSC, Close coupled 324TS, Pedestal, PumPAK®
Seal	Special seal material combinations available (consult factory), Standard carbon / ceramic / Viton

Application

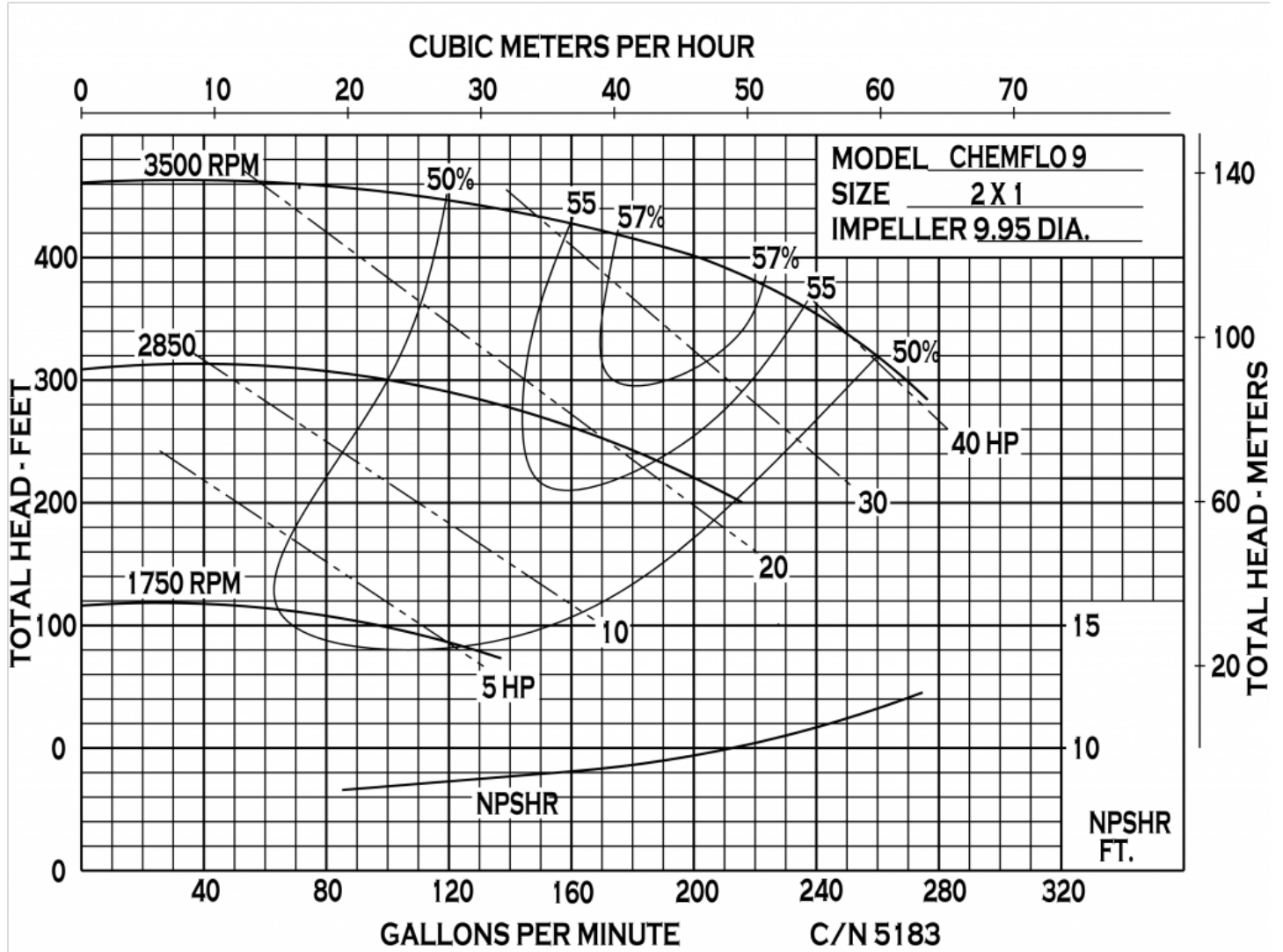
- Agricultural
- Commercial
- Industrial
- Marine
- OEM

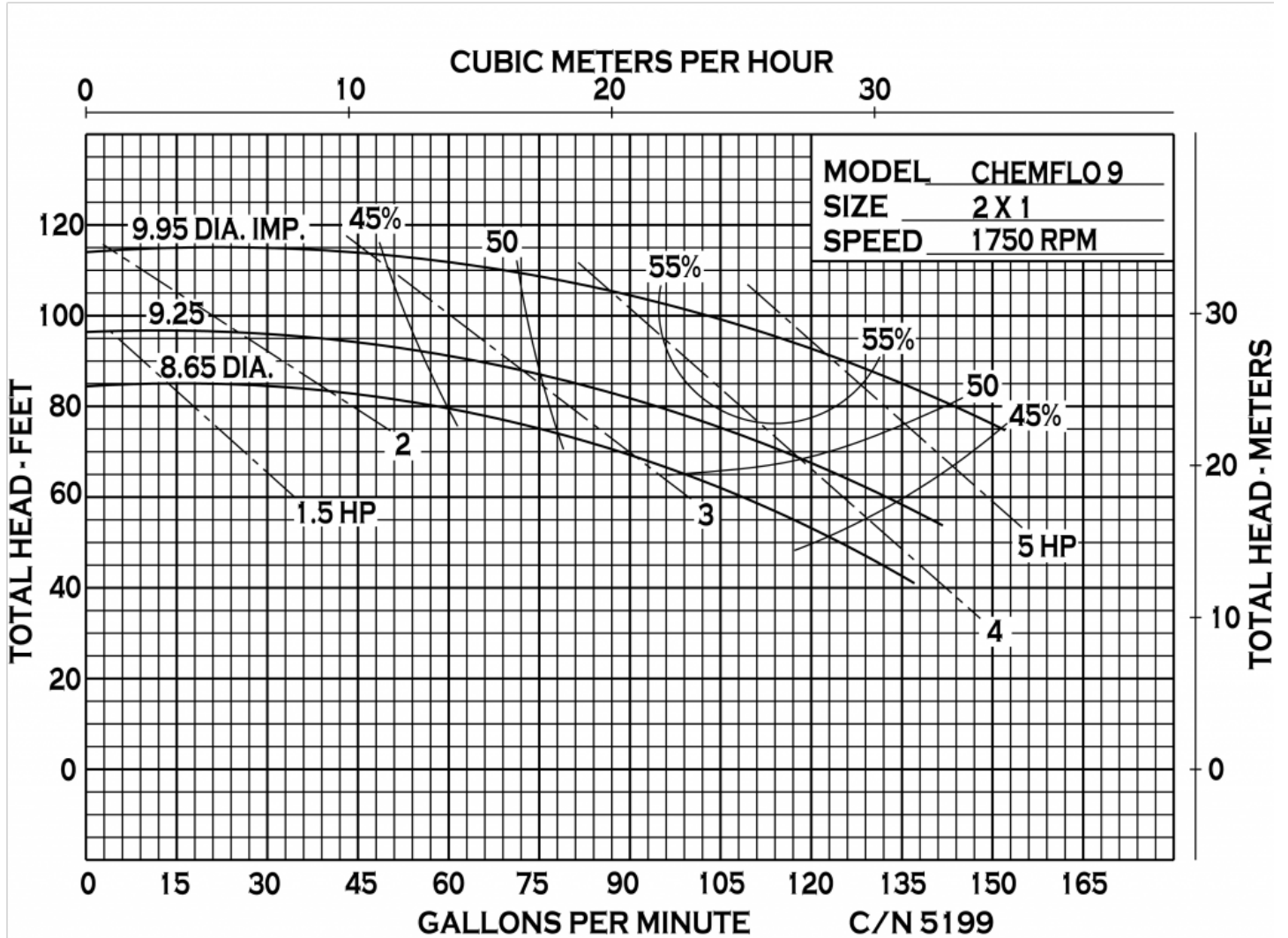
Drive Sleeve

- 316 stainless steel

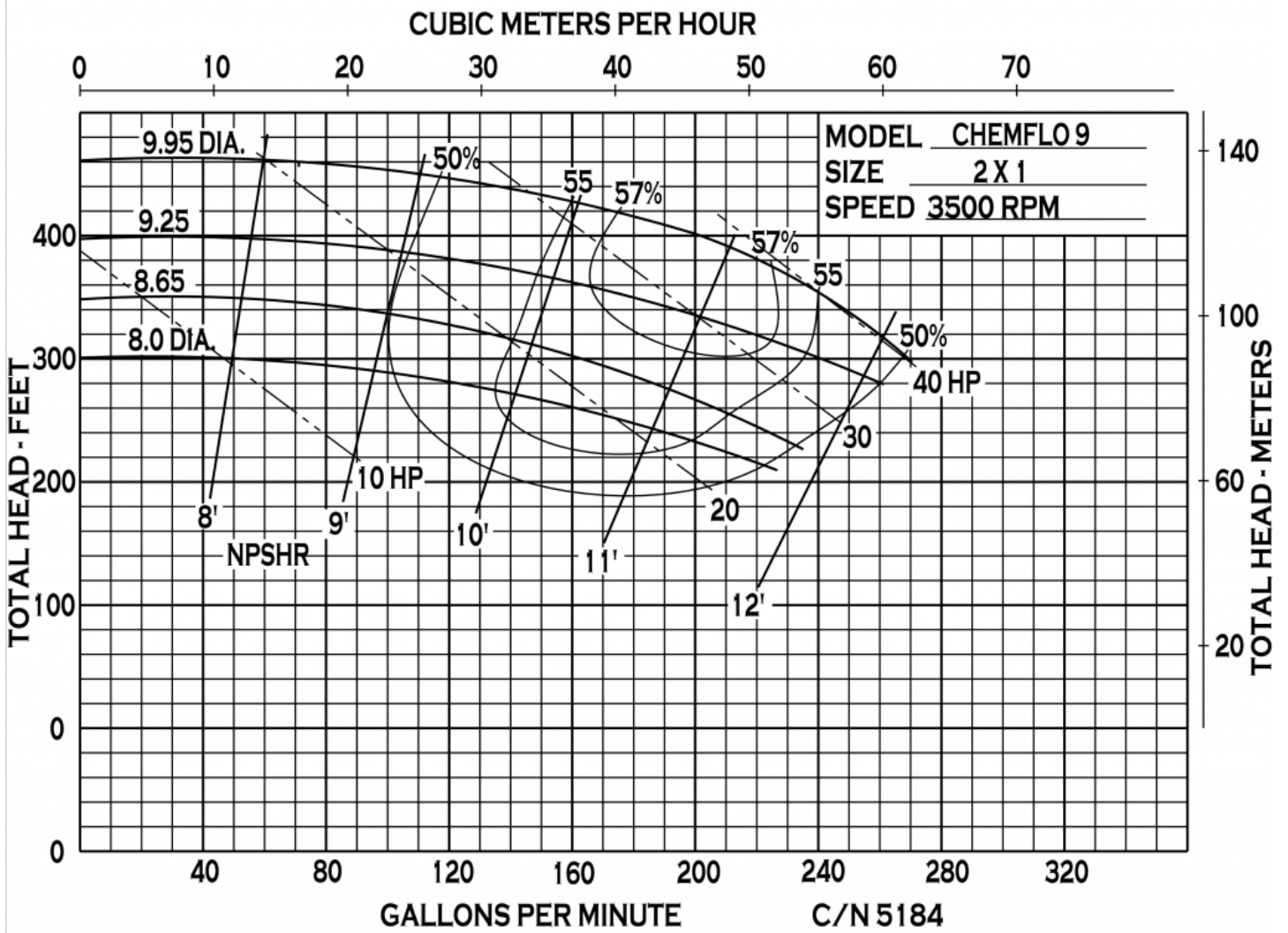


34800 BENNETT - FRASER, MI 48026-1686
(586) 293-8240 - FAX (586) 293-8469
(800) 563-8006 - www.mppumps.com

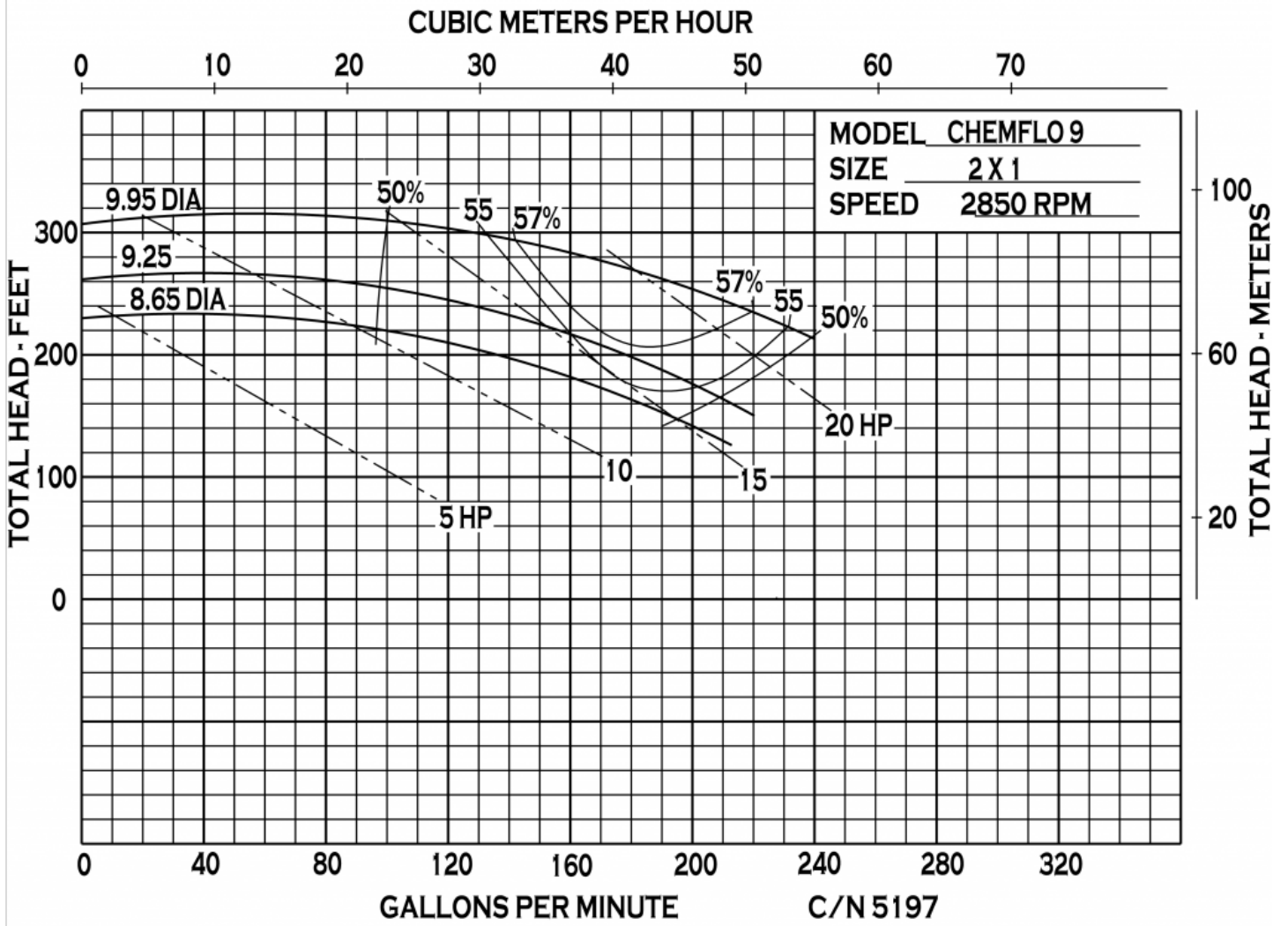




34800 BENNETT - FRASER, MI 48026-1686
 (586) 293-8240 - FAX (586) 293-8469
 (800) 563-8006 - www.mppumps.com

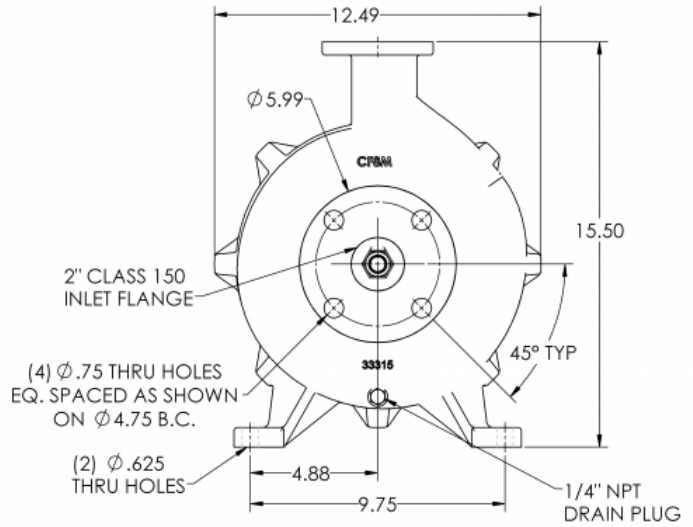
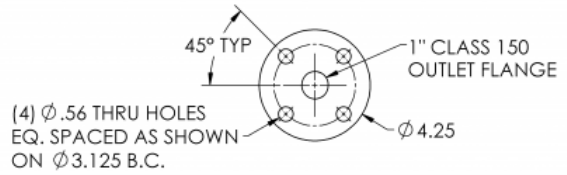
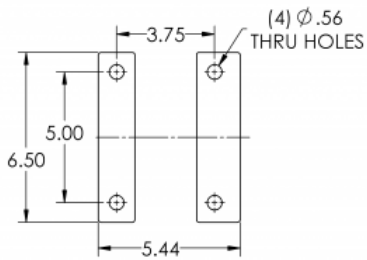
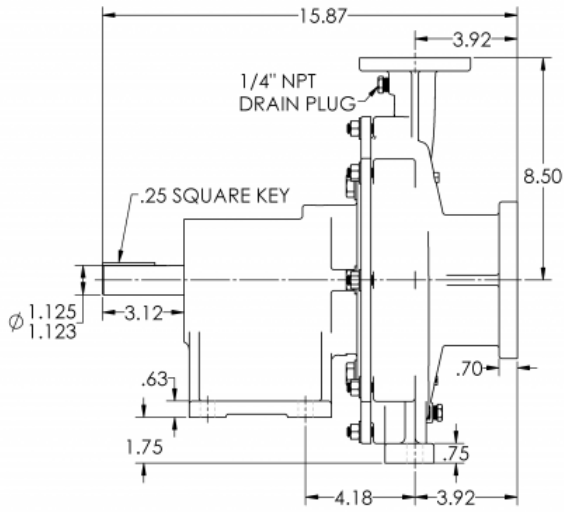


34800 BENNETT - FRASER, MI 48026-1686
 (586) 293-8240 - FAX (586) 293-8469
 (800) 563-8006 - www.mppumps.com



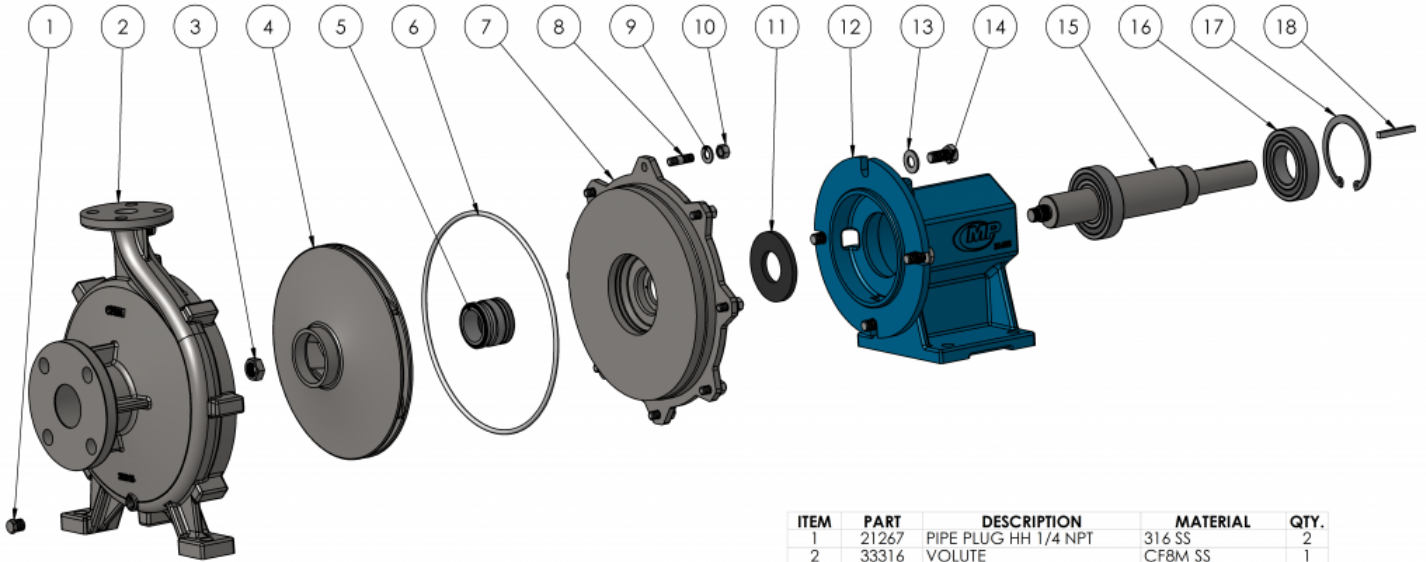
34800 BENNETT - FRASER, MI 48026-1686
 (586) 293-8240 - FAX (586) 293-8469
 (800) 563-8006 - www.mppumps.com

CHEMFLO® 9 PEDESTAL



CF9 PED

CHEMFLO® 9 PEDESTAL



ITEM	PART	DESCRIPTION	MATERIAL	QTY.
1	21267	PIPE PLUG HH 1/4 NPT	316 SS	2
2	33316	VOLUTE	CF8M SS	1
3	29194	HEX JAM NUT 5/8-18	316 SS	1
4	33330	IMPELLER Ø9.95	CF8M SS	1
4	34538	IMPELLER Ø9.25	CF8M SS	1
4	34539	IMPELLER Ø8.65	CF8M SS	1
4	34540	IMPELLER Ø8.00	CF8M SS	1
5	31347	SEAL ASSEMBLY 1.5"	STC/316 SS	1
5	31374	SEAL ASSEMBLY 1.5"	CCS VITON	1
5	28170	SEAL ASSEMBLY 1.5"	EPDM	1
5	26461	SEAL ASSEMBLY 1.5"	SSC	1
5	26565	SEAL ASSEMBLY 1.5"	CHEMLON	1
6	33324	O-RING	VITON	1
7	33320	SEAL HOUSING	CF8M SS	1
8	21260	STUD 3/8-16X1.32	304 SS	8
9	28053	FLAT WASHER	304 SS	8
10	21268	HEXNUT 3/8-16	304 SS	8
11	37881	SLINGER	NEO RUBBER	1
12	33482	BEARING HOUSING	CAST IRON	1
13	34350	FLAT WASHER 1.06X.50X.09	304 SS	4
14	33480	CAPSCREW 1/2-13X1.00	304 SS	4
15	31802	DRIVE SHAFT	316 SS	1
16	31804	BALL BEARING	STEEL	2
17	31803	SNAP RING	CARBON SPRING	1
18	33232	SQUARE KEY	STEEL	1

CF9 PED