

WE'RE ALL ABOUT EXPERIENCE

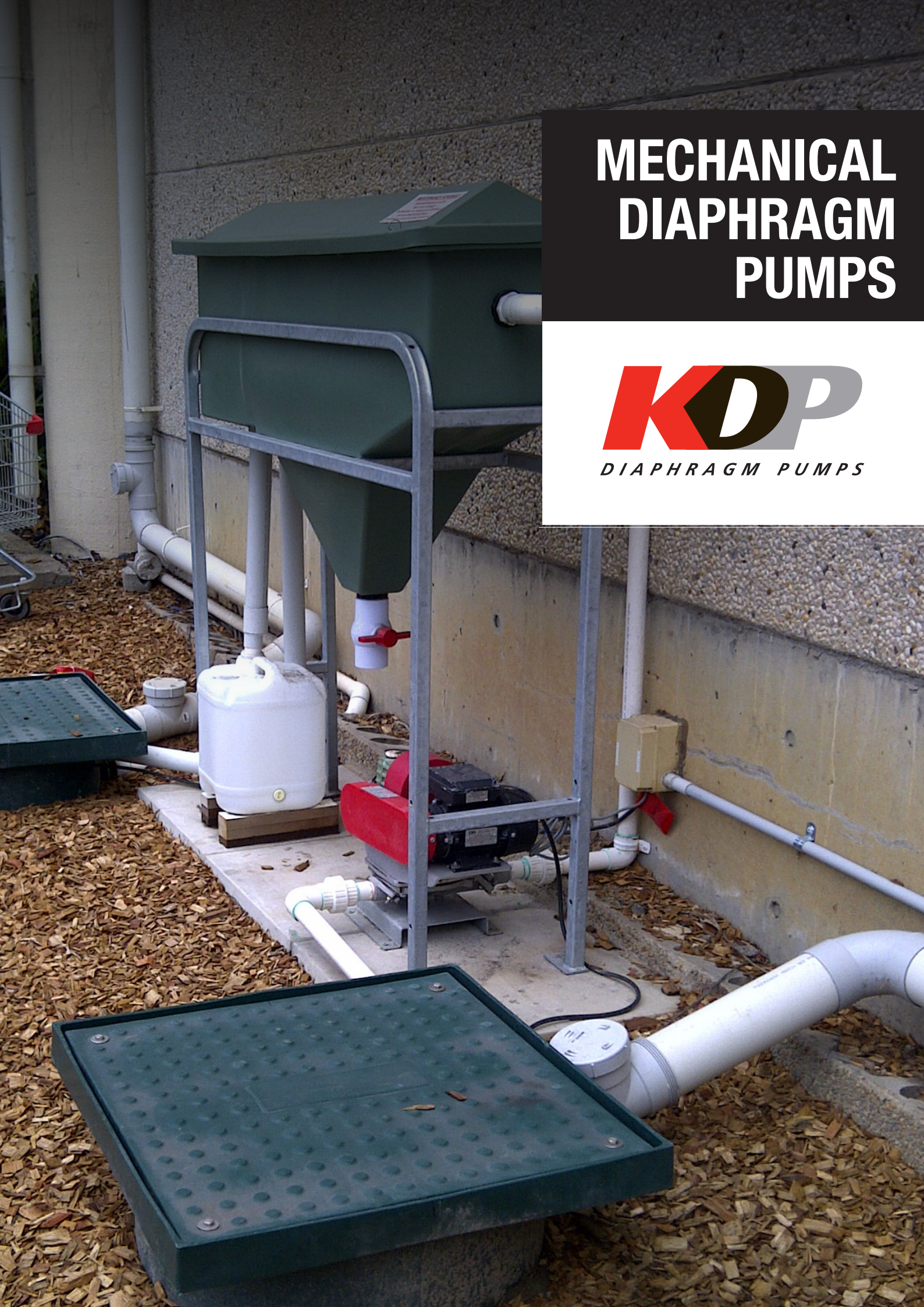
allpumps.com.au



MECHANICAL DIAPHRAGM PUMPS

KDP

DIAPHRAGM PUMPS





The KDP is a mechanical diaphragm pump that uses a heavy duty gear box coupled to an eccentric block to actuate the diaphragm. It is belt driven by pulleys which enables it to use a variety of drive options.

With its heavy duty construction, ability to run dry and self-prime, the KDP pump is suitable for a wide range of applications including dewatering, transfer, oil skimming & oil/water separation.

- Applications:
- Dewatering excavation
 - Raw sewage
 - Pool maintenance and construction
 - Waste treatment plants
 - Oil skimming
 - Bore desludging
 - Oil/Water separators
 - Machine sumps
 - Priming large centrifugal pumps
 - Industrial wastes
 - Liquid manure
 - Septic tank cleaning
 - Drum emptying
 - Abattoirs
 - Poultry processing and Spillage mop up.

- Features:
- Suction lifts to 7.5m
 - Rapid self priming
 - Will run dry without damage
 - Heavy duty
 - Will operate on snor
 - Will handle abrasive liquids
 - Will pass solids up to 80% port size
 - Compact construction
 - TEFC electric motors fitted as standard
 - Special electric motor enclosures as an options





MATERIALS OF CONSTRUCTION		
COMPONENT	STANDARD	OPTIONAL
Wetted (Casing and Ports)	Aluminium	Cast Iron / 316 Stainless Steel
Diaphragm	Buna-N (NITRILE)	Neoprene / Viton
Flap Valve / Gasket	Buna-N (NITRILE)	Polytherene
Valve Seat	316 Stainless Steel	



CARRY FRAME
All sizes can be fitted with a carry frame

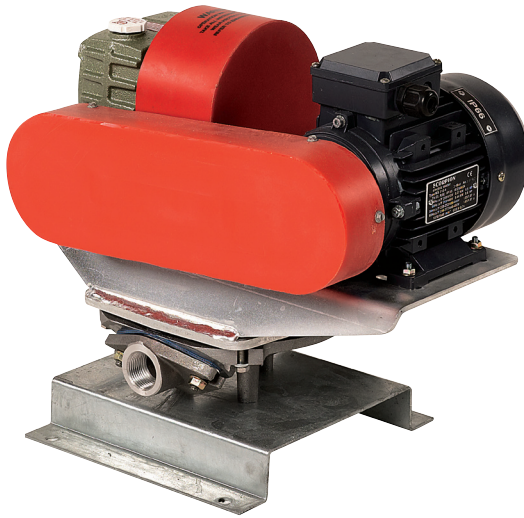


KDP50 and KDP76 can be supplied with a petrol engine which enables increased portability in applications such as:

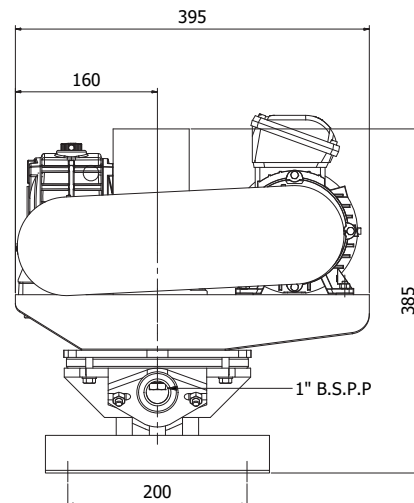
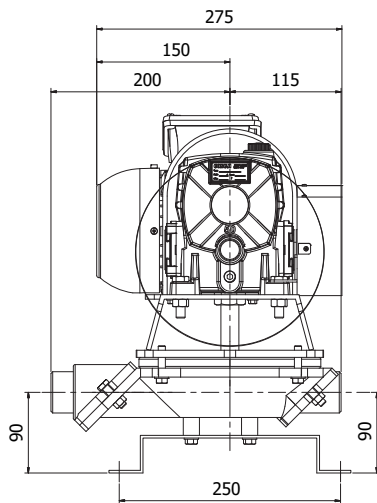
All pump sizes are available with the following electric motor options:

PETROL/DIESEL
Site Dewatering
Excavation Dewatering
Pool Maintenance / Construction
Construction Sites

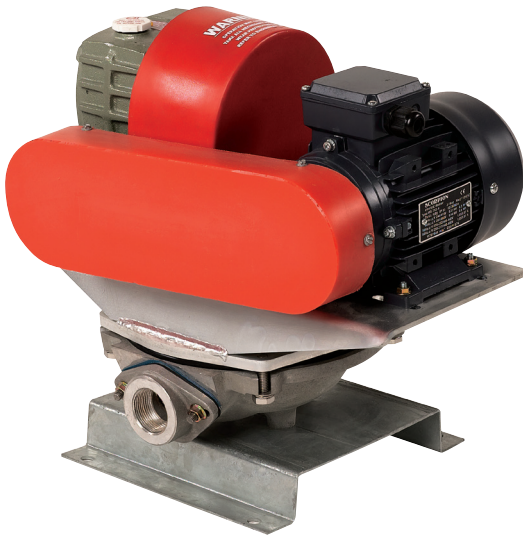
ELECTRIC
240V (Single Phase)
415V (Three Phase)
415V (Three Phase), Ex'e'
415V (Three Phase), Ex'd'



KDP 25	
Model No.	KDP25
Connections	25mm(1")
Nominal flow rate	16-25 l/min
Suction lift	7.5m
Discharge head	6.0m
Solid size	15mm
Motor size	0.37kW
Weight	25kg

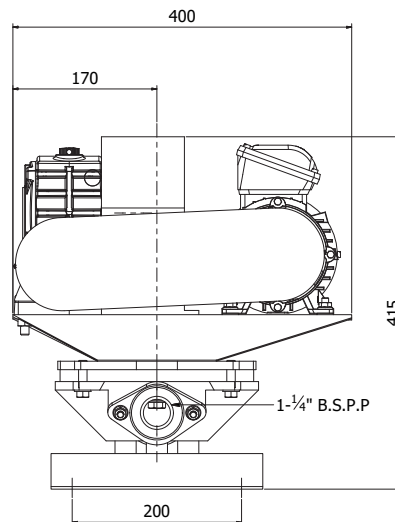
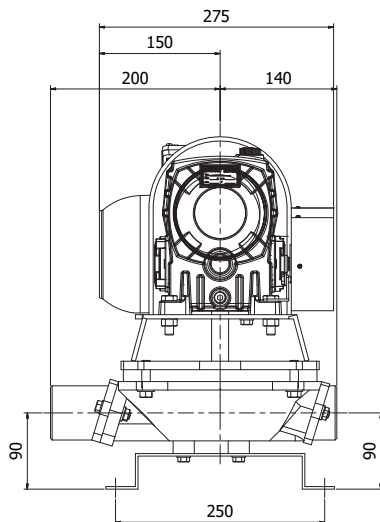


PART NO.	MODEL NO.	DESCRIPTION	TYPE	AMPS	KW
660000	KDB25-100	KD Pump with no motor (Bare)	Bare	N/A	N/A
660006	KDB25-150	KD Pump with no motor (Bare)	Bare	N/A	N/A
660060	KDS25-100	KD Pump with 240 Volt Motor	240 Volt	2.8	0.37kW
660066	KDS25-150	KD Pump with 240 Volt Motor	240 Volt	2.8	0.37kW
660096	KDT25-100	KD Pump with 415 Volt Motor	415 Volt	1.2	0.37kW
660102	KDT25-150	KD Pump with 415 Volt Motor	415 Volt	1.2	0.37kW
660114	KDTE25-100	KD Pump with 415 Volt Ex(e) Motor	415 Volt Ex E	1.2	0.37kW
660138	KDTE25-150	KD Pump with 415 Volt Ex(e) Motor	415 Volt Ex E	1.2	0.37kW
660144	KDTD25-100	KD Pump with 415 Volt Ex(d) Motor	415 Volt Ex D	1.2	0.37kW
660174	KDTD25-150	KD Pump with 415 Volt Ex(d) Motor	415 Volt Ex D	1.2	0.37kW

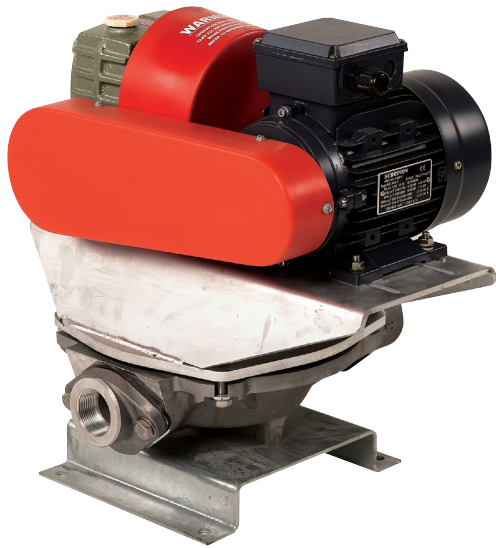


KDP 32

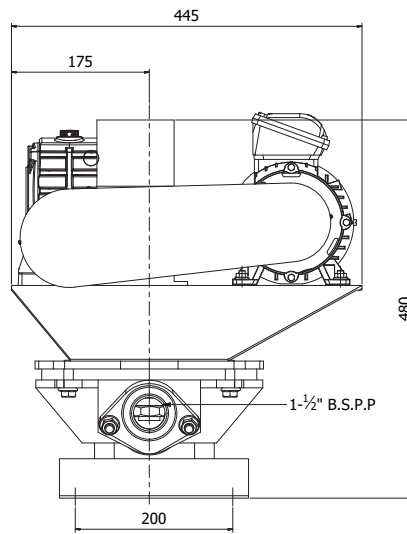
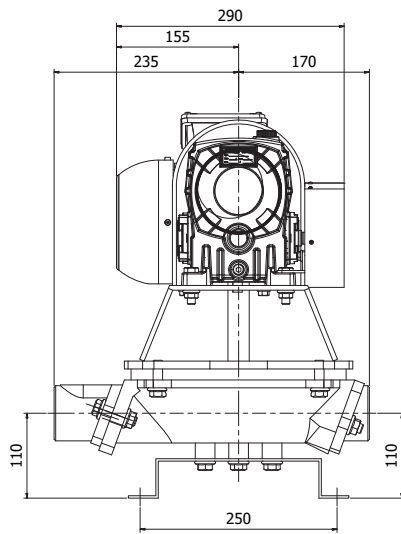
Model No.	KDP32
Connections	32mm(1 1/4")
Nominal flow rate	33 l/min
Suction lift	7.5m
Discharge head	6.0m
Solid size	20mm
Motor size	0.37 kW
Weight	30kg



PART NO.	MODEL NO.	DESCRIPTION	TYPE	AMPS	KW
660012	KDB32-200	KD Pump with no motor (Bare)	Bare	N/A	N/A
660072	KDS32-200	KD Pump with 240 Volt Motor	240 Volt	2.8	0.37kW
660108	KDT32-200	KD Pump with 415 Volt Motor	415 Volt	1.2	0.37kW
660150	KDTE32-200	KD Pump with 415 Volt Ex(e) Motor	415 Volt Ex E	1.2	0.37kW
660180	KDTE32-200	KD Pump with 415 Volt Ex(d) Motor	415 Volt Ex D	1.2	0.37kW



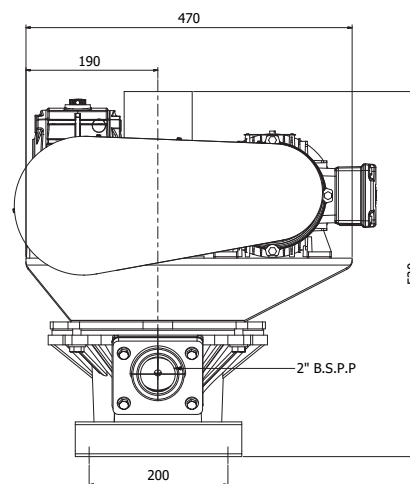
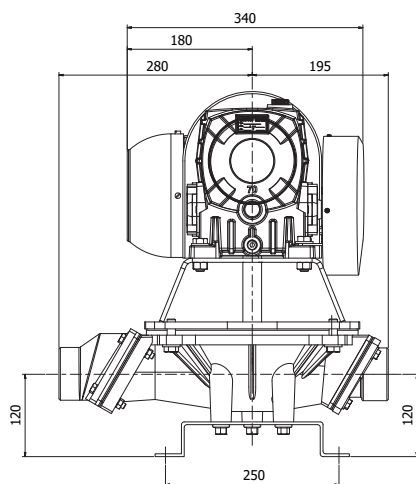
KDP 38	
Model No.	KDP38
Connections	38mm(1 1/2")
Nominal flow rate	50 l/min
Suction lift	7.5m
Discharge head	6.0m
Solid size	25mm
Motor size	0.75 kW
Weight	42kg



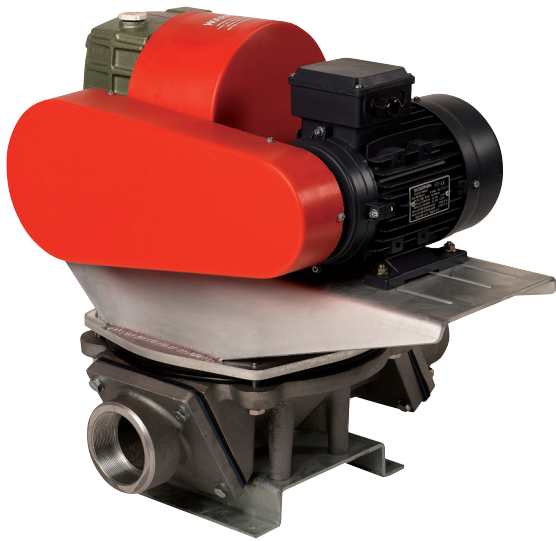
PART NO.	MODEL NO.	DESCRIPTION	TYPE	AMPS	KW
660018	KDB38-300	KD Pump with no motor (Bare)	Bare	N/A	N/A
660078	KDS38-300	KD Pump with 240 Volt Motor	240 Volt	4.75	0.75kW
660120	KDT38-300	KD Pump with 415 Volt Motor	415 Volt	1.77	0.75kW
660156	KDTE38-300	KD Pump with 415 Volt Ex(e) Motor	415 Volt Ex E	1.77	0.75kW
660186	KDTD38-300	KD Pump with 415 Volt Ex(d) Motor	415 Volt Ex D	1.77	0.75kW



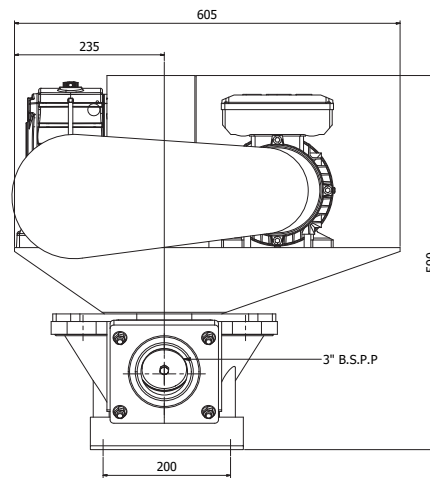
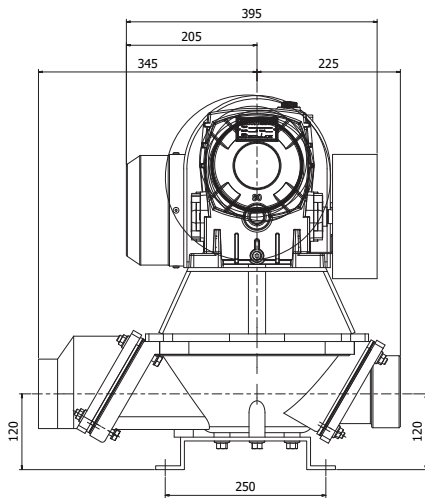
KDP 50	
Model No.	KDP50
Connections	50mm(2")
Nominal flow rate	100 l/min
Suction lift	7.5m
Discharge head	6.0m
Solid size	35mm
Motor size	1.1 kW
Weight	55kg



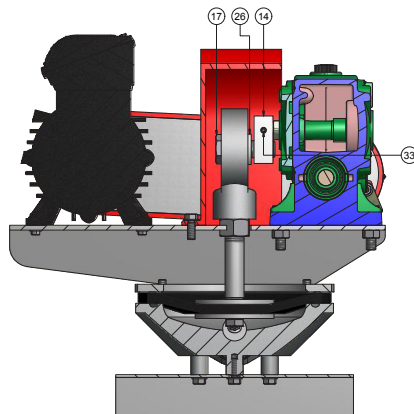
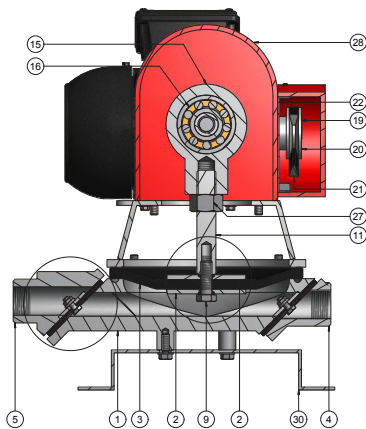
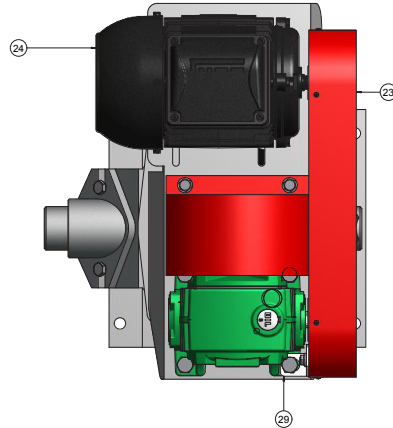
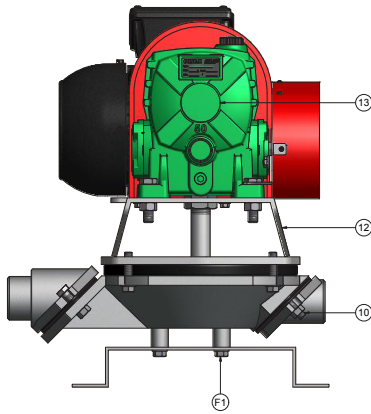
PART NO.	MODEL NO.	DESCRIPTION	TYPE	AMPS	KW
660024	KDB50-600	KD Pump with no motor (Bare)	Bare	N/A	N/A
660036	KDD50-600	KD Pump with Diesel Engine	Diesel	N/A	N/A
660048	KDE50-600	KD Pump with Petrol Engine	Petrol	N/A	4hp
660084	KDS50-600	KD Pump with 240 Volt Motor	240 Volt	6.61	1.1kW
660126	KDT506-600	KD Pump with 415 Volt Motor	415 Volt	2.6	1.1kW
660162	KDTE50-600	KD Pump with 415 Volt Ex(e) Motor	415 Volt Ex E	2.6	1.1kW
660192	KDTD50-600	KD Pump with 415 Volt Ex(d) Motor	415 Volt Ex D	2.6	1.1kW



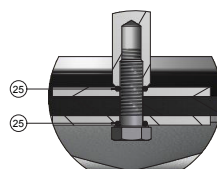
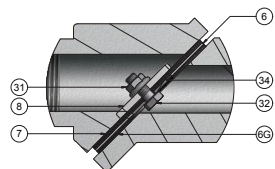
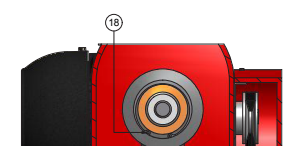
KDP 76	
Model No.	KDP76
Connections	76mm(3")
Nominal flow rate	210 l/min
Suction lift	7.5m
Discharge head	6.0m
Solid size	50mm
Motor size	1.5 kW
Weight	72kg



PART NO.	MODEL NO.	DESCRIPTION	TYPE	AMPS	KW
660030	KDB76-120	KD Pump with no motor (Bare)	Bare	N/A	N/A
660042	KDD76-120	KD Pump with Diesel Engine	Diesel	N/A	N/A
660054	KDE76-120	KD Pump with Petrol Engine	Petrol	N/A	4hp
660090	KDS76-120	KD Pump with 240 Volt Motor	240 Volt	8.77	1.5kW
660132	KDT76-120	KD Pump with 415 Volt Motor	415 Volt	3.4	1.5kW
660168	KDTE76-120	KD Pump with 415 Volt Ex(e) Motor	415 Volt Ex E	3.4	1.5kW
660198	KDTE76-120	KD Pump with 415 Volt Ex(d) Motor	415 Volt Ex D	3.4	1.5kW



ITEM NO.	DESCRIPTION
1	Aluminium Bowl
2	Diaphragm plate
3	Nitrile diaphragm
4	Aluminium suction port
5	Aluminium discharge port
6	Stainless steel valve seat
7	Nitrile valve seat gasket
8	Nitrile flap valve
9	Diaphragm plate bolt
11	Connecting rod
12	Drive support housing
13	Worm gear speed reducer - Ratio 30:1
14	Eccentric block
15	Eccentric bearing housing
16	Bearing - 6305
17	Eccentric bolt & washer
18	Circlip



ITEM NO.	DESCRIPTION
19	Gearbox pulley
20	Motor pulley
21	V-Belt
22	Pulley guard backplate - SS 304
23	Pulley guard - Plastic
24	Electric motor
25	Nitrile O-Ring
26	Eccentric bolt spacer
27	Connecting rod nut
28	Eccentric guard - Plastic
29	Pulley guard backplate support bracket
30	Baseplate - Mild steel - Galvanised
31	Flanged hex nut
32	Hex head bolt
33	Grub screw
34	Washer



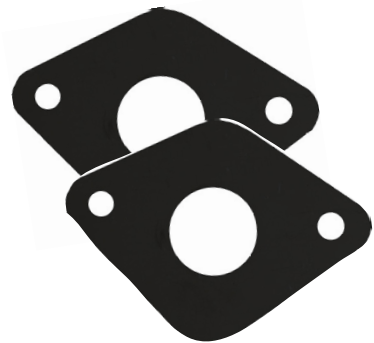
1 x Vee Belt



1 x Diaphragm



2 x Flap Valve Assemblies



2 x Flap Valve Gaskets



2 x Diaphragm plate
O-rings or gaskets

PART NO.	DESCRIPTION
680090	KWIKFLO KDP-25 SERVICE KIT
680176	KWIKFLO KDP-32 SERVICE KIT
680250	KWIKFLO KDP-38 SERVICE KIT
680332	KWIKFLO KDP-50 SERVICE KIT
680412	KWIKFLO KDP-76 SERVICE KIT

CELEBRATING

50

YEARS OF EXPERIENCE

**EXPERIENCE INNOVATIVE
THINKERS AND PRODUCTS**



ALL ABOUT EXPERIENCE

allpumps.com.au

1300 255 786 | sales@allpumps.com.au