



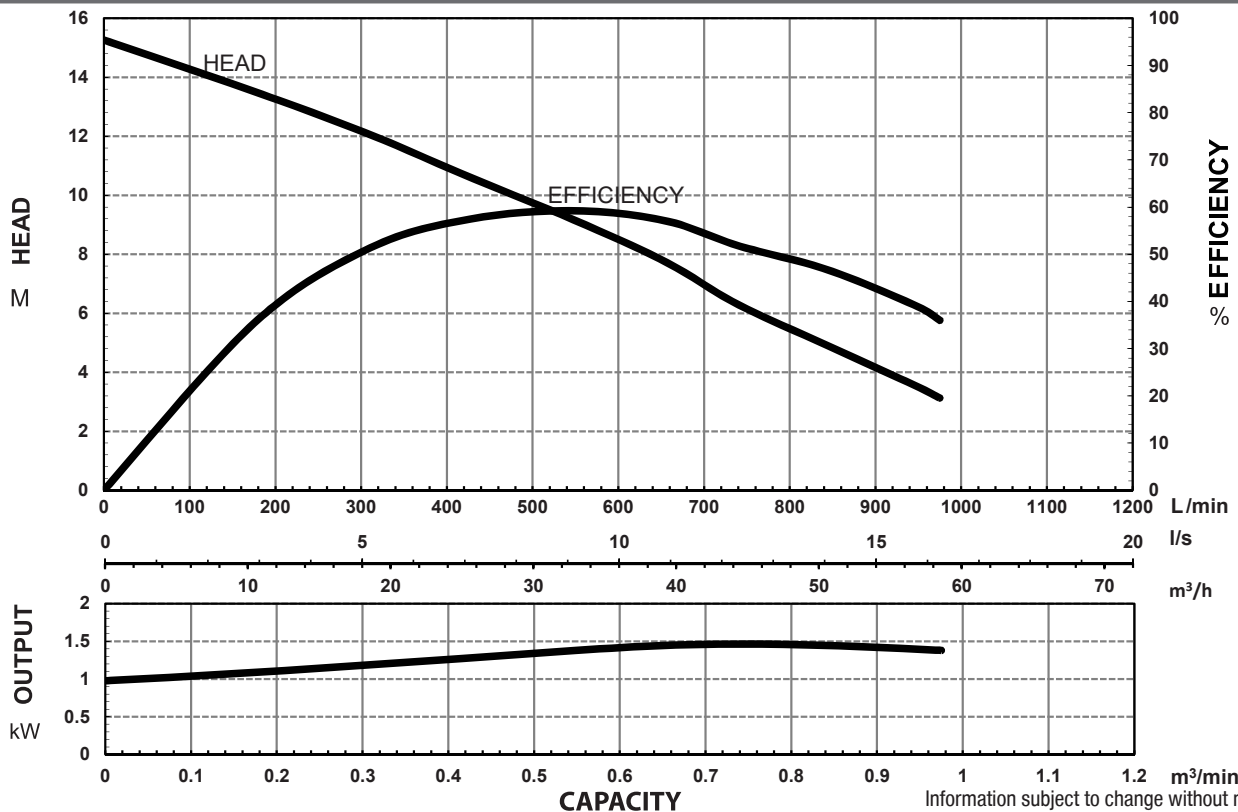
## SPECIFICATIONS

Power	1.5kW / 2.0HP	
Frequency	50Hz	
Discharge	80mm / 3 inch female BSP	
Weight (Excl cable)	37Kg (33Kg – UMCZ1500/80/3)	
Solid Passage	35 mm	
Phase	1 $\emptyset$	3 $\emptyset$
Voltage	240	415
Full Load Amps	9.8	3.4
Maximum Liquid Temperature	0-40° C	
Maximum Submersion Depth	10m (33 feet)	
Motor type	Dry motor	
Motor Speed	2 Pole (2800 rpm)	
Motor Insulation	Class B	
Motor Protection	IP68	
Protector	Auto cut	
Motor Bearings	Ball Type	
Seal Method	Dual Mechanical seal	
	Upper: Carbon/Ceramic Lower; Silicon/Silicon	
Impeller Type	Semi Open	
Motor Cover Construction	FC-200 Cast Iron	
Motor Casing Construction	304 Stainless Steel	
Motor Shaft Construction	403 Stainless Steel	
Pump Casing Construction	FC-200 Cast Iron	
Impeller Construction	FC-200 Cast Iron	
Cutting Tip	Tungsten	
Cable Material	H07RN-F	

## MODEL NUMBER STRUCTURE

<b>80</b>	Outlet size
<b>NX</b>	Nexus
<b>C</b>	'C' indicates 'Cutter' series
<b>A</b>	' ' indicates Manual, without floats witch
	'A' indicates Automatic, without floats witch
<b>Z</b>	'Z' indicates series
<b>1.5</b>	Power consumption in 'kiloWatts'
<b>1</b>	'1' indicates 240 volt single phase
	'3' indicates 415 volt three phase

## PERFORMANCE CURVES

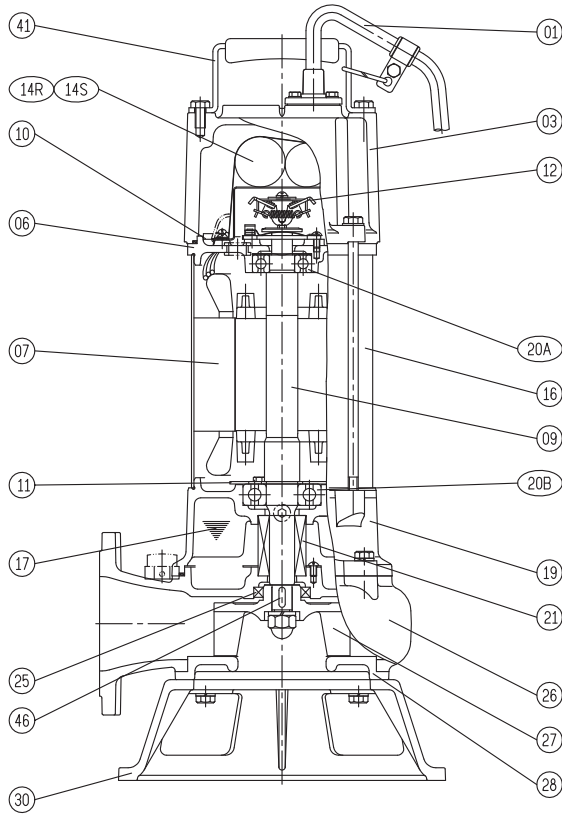


Information subject to change without notice.

Models: **80NXCZ1.5-1**  
**80NXCAZ1.5-1**  
**80NXCZ1.5-3**  
**80NXCAZ1.5-3**

# nexus

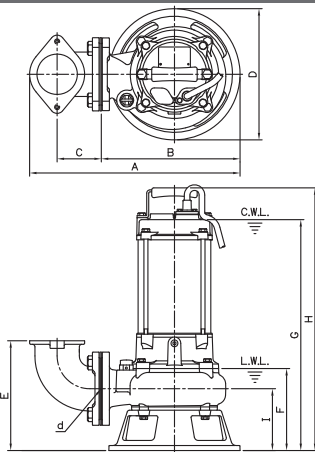
## SECTIONAL DRAWING & MATERIALS LIST



PART NUMBER	DESCRIPTION	MATERIAL
01	Cable	H07RN-F
03	Upper Motor Cap	Cast Iron FC-200
06	Upper Bearing Housing	Cast Iron FC-200
07	Motor Stator	
09	Shaft With (With Rotor)	(Shaft) Stainless Steel 410
10	Auto Cut Out Overload	
11	Bearing Fixing Plate	
12	Centrifugal Switch	
14R & 14S	Capacitor (240 volt models) Transformer relay for UACZ1500/80/3)	
16	Motor Casing	304 Stainless Steel
17	Lubricant	Turbine Oil
19	Lower Bearing Housing	Cast Iron FC-200
20A & 20B	Upper Bearing & Lower Bearing	
21	Mechanical Seal	Upper: Carbon/Ceramic Lower: Silicon/Silicon
25	Oil Seal	Nitrile
26	Pump Casing	Cast Iron FC-200
27	Impeller	Cast Iron FC-200
28	Suction Cover Stand	Cast Iron FC-200
30	Pump Base Plate	304 Stainless Steel
41	Handle	304 Stainless Steel
46	Impeller Key	304 Stainless Steel
47	O'rings	
55	Oil Plug	304 Stainless Steel
FL	Floatswitch	

When ordering spare parts as above, simply add the pump model number to the part number from the list above. For example, a power lead (part '01'). the complete spare part name would be written as '01-80NXCZ1.5-1'.

### DIMENSIONAL DRAWING



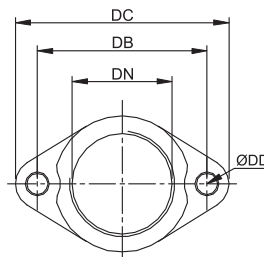
#### DIMENSIONS 80NXCZ1.5-1, 80NXCAZ1.5-1 80NXCAZ1.5-3

d	A	B	C	D	E	F	G	H	I
80	417	275	88	260	218	163	527	590	123

#### 80NXCZ1.5-3

d	A	B	C	D	E	F	G	H	I
80	417	275	88	260	218	163	458	521	123

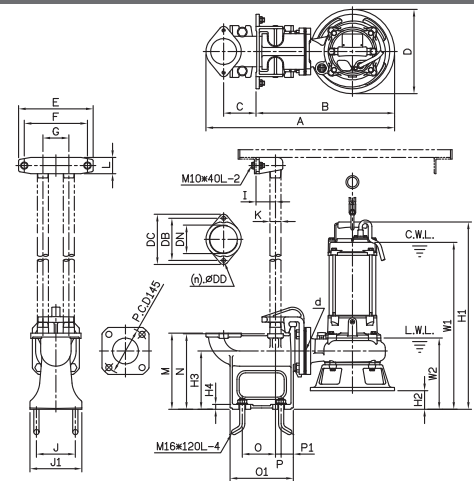
### ELBOW (FLANGE) SET



#### DIMENSIONS - mm

DN	DB	DC	DD
80	130	155	12

### GUIDE RAIL SYSTEM DIMENSIONS USING GR80B GUIDE RAIL KIT



#### DIMENSIONS - 80NXCZ1.5-1, 80NXCAZ1.5-1, 80NXCAZ1.5-3

d	A	B	C	D	E	F	G	I	J	J1	K	L	M	O	O1	P	P1	W1	W2	H1	H2	H3	H4
80	583	428	100	260	230	195	80	60	120	160	32	50	235	103	195	18	38	584	220	647	58	180	15

#### DIMENSIONS - 80NXCZ1.5-3

d	A	B	C	D	E	F	G	I	J	J1	K	L	M	O	O1	P	P1	W1	W2	H1	H2	H3	H4
80	583	428	100	260	230	195	80	60	120	160	32	50	235	103	195	18	38	515	220	578	58	180	15

Information subject to change without notice.



WE'RE ALL ABOUT EXPERIENCE

allpumps.com.au

P: 1300 - 255 - 786 | E: sales@allpumps.com.au

**CELEBRATING**

**50**

**YEARS OF EXPERIENCE**

**EXPERIENCE INNOVATIVE  
THINKERS AND PRODUCTS**



**ALL ABOUT EXPERIENCE**

[allpumps.com.au](http://allpumps.com.au)

**1300 255 786 | [sales@allpumps.com.au](mailto:sales@allpumps.com.au)**