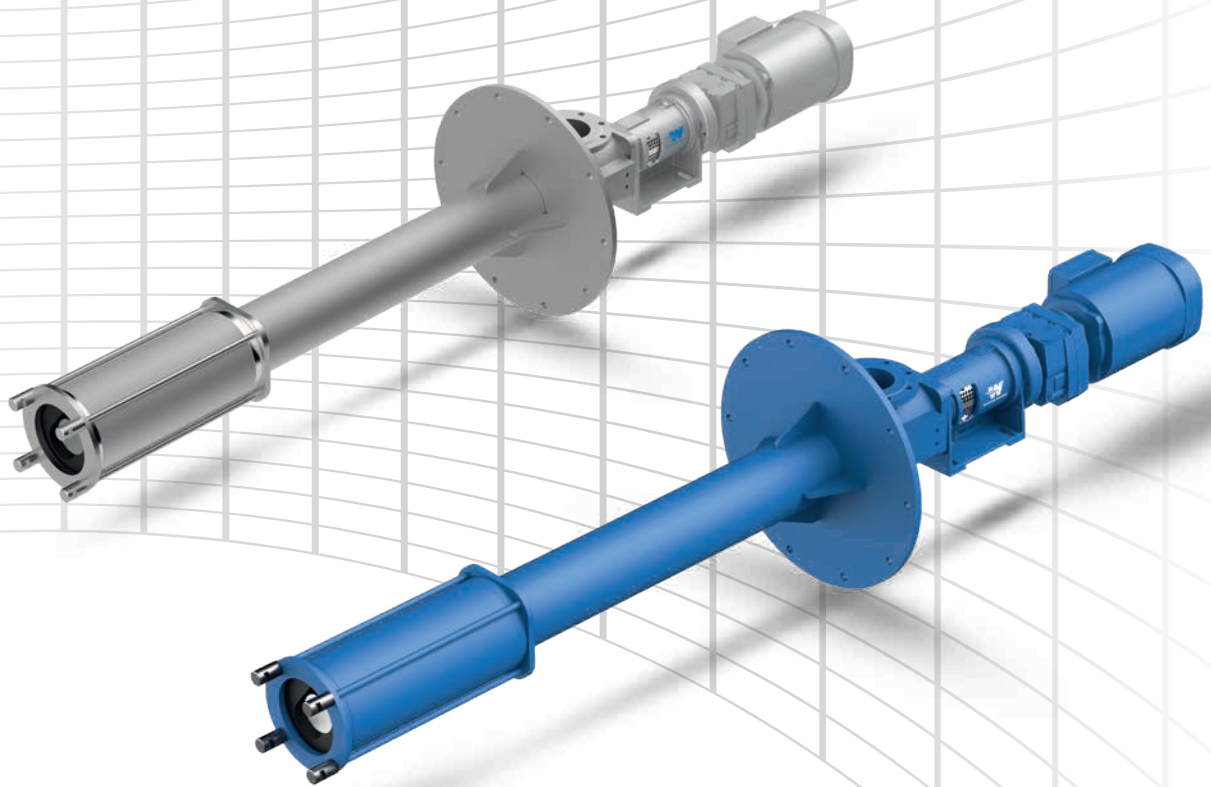


Immersion pumps  
**KL-T / KB-T**



For conveying media  
from containers and vats

---

## Immersion pumps

# KL-T, KB-T

In order to ensure the highest operating safety as possible, WANGEN PUMPEN only uses the best materials and components for the intended purpose. Our many years of experience in the conveyance of a variety of mediums ensures a design that meets modern requirements.

Thanks to the vertical construction form, the WANGEN KL-T / KB-T has only a small space requirement. The consistent diameter of the joint connections ensures constant flow speeds and reduces the sensitivity to foreign materials. The low-pulsation continuous conveying of media is independent of the pressure and viscosity.

Pumps can be configured according to your requirements, just as the length can be adapted to your particular needs.

Technical highlights:

Max. flow rate 560 m<sup>3</sup>/h,

Max. temperature +130 °C,

Maximum differential pressure 12 bar,

Viscosity up to 1.000.000 mPa·s.



## Applications

# Conveying Materials

Amongst other things, the following media can be typically pumped using the hygienic or standard versions of the KL-T immersion pump:

- Fruit juices
- Honey and jams
- Dairy products such as milk or yoghurt
- Food products such as chili sauce, olive paste, tomato paste, proteins, chocolate or bisquit dough
- Soup spices, soy oil, mustard, ketchup, mayonnaise
- Biogas substrates from mines
- Paints and laquers
- Calcium carbonate, chromium hydroxide and hydrogen peroxide
- Paper pulp
- Glycerin, vaseline and soap
- Pomace
- Sewage, coal flotation and refined sludge
- Inorganic sludges
- Liquid manure, also cow and chicken manure
- Waste oil, mineral and cutting oil



---

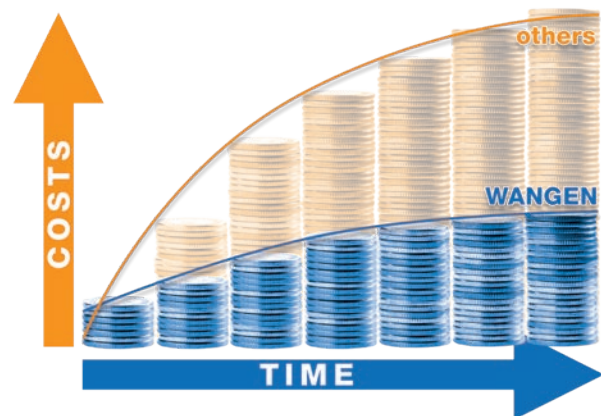
## Benefits

# Low Life-Cycle Costs

When purchasing a pump, we recommend that you carefully consider the operating costs as well as the costs for the initial outlay. Maintenance costs, production downtimes and energy costs make up a considerable share of the total costs over the life-cycle of a pump.

In this case, a decisive advantage of our philosophy becomes apparent: in order to keep total costs as low as possible over the entire life-cycle of the pump, our approach is to restrict the frequency of maintenance to a minimum. This can be achieved due to the robust construction of our pumps, the use of high quality wearing parts and choosing a wear-resistant design for each pump.

Every breakdown that can be avoided saves you not only the costs for spare parts, but also the costs for maintenance work and production downtimes. In this way, you decrease your expenses and save your nerves.



# Easy Maintenance

WANGEN pumps are generally designed to be particularly user friendly and easy to maintain. Even an exchange of the rotor and shaft seal is easy to perform, due to the good accessibility of the connector bolts and the cartridge design of the bearing pedestal. This makes it considerably easier to carry out maintenance work yourself.



## Technical Data

# Options and Accessories

We offer a large selection of accessories, which are perfectly matched to our product range, providing the ideal complement or adaptation to your individual requirements and allowing you to create your own customized solutions. We would be also happy to assist you with special solutions.

- Homogeniser for mixing
- Fugator for deterring foreign bodies
- Mounting flange
- Mounting bracket
- Three-point set up
- and much more



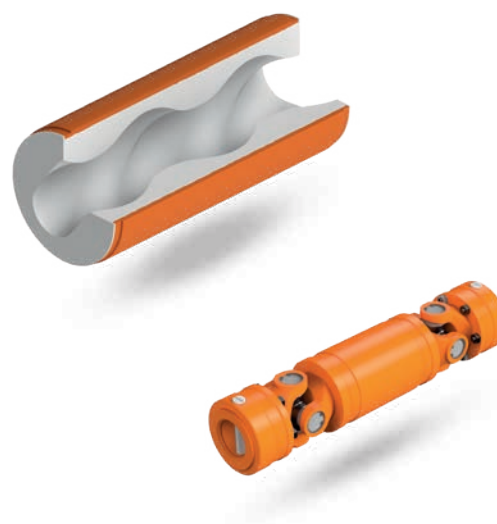
KL-T in operation with mounting bracket and three-point set up



Homogeniser

## Spare Parts

By using spare parts from WANGEN PUMPEN, we guarantee that the performance output of our pumps will be fully restored. With our decades of manufacturing competence, you will thus also be able to profit from our first class quality as a manufacturer, and, as a consequence, ensure the long service life of your pump.



## Technical Data

# Models and Materials

In order to ensure the highest operating safety as possible, WANGEN PUMPEN only uses the best materials and components for the intended purpose. Our many years of experience in the conveyance of a variety of mediums ensures a design that meets modern requirements.

- Casing, pressure and suction flange: Grey cast iron, construction steel 1.0038, stainless steel 1.4301, stainless steel 1.4571
- Joints: stainless steel cardan joints, optionally with sleeve
- Seals: Mechanical face seals, shaft seals, stuffing box packing, single and double-effect mechanical seals
- Rotor: Hardened tool steel, stainless steel 1.4301 (A304), stainless steel 1.4571 (A314Ti), both available with chromium or chromium carbide coating
- Stators: diverse NBR materials, FPM, silicon, EPDM, pressure-stable 'even wall' designs, solid substance stators made of POM
- Rotors and stators in up to 8 pressure classes and available as S-, L- and H geometric forms.
- Drive: Gear motors, hydraulic motors



## Performance Data KB-T

Pumps of the KB-T series (not shown) are produced in a block design, which is fully adequate e.g. for mediums which have a lower effect of force on the pump. The drive is directly flanged onto the

pump housing. This makes the pump compact and economical to purchase. The block design is ideal for normal pumping use or for smaller flow rates.

Pump size	Maximum free ball passage (mm)	Max. flowrate (m <sup>3</sup> /h) at 350 min <sup>-1</sup>	Maximum differential pressure (bar)
20	24	4,6	12

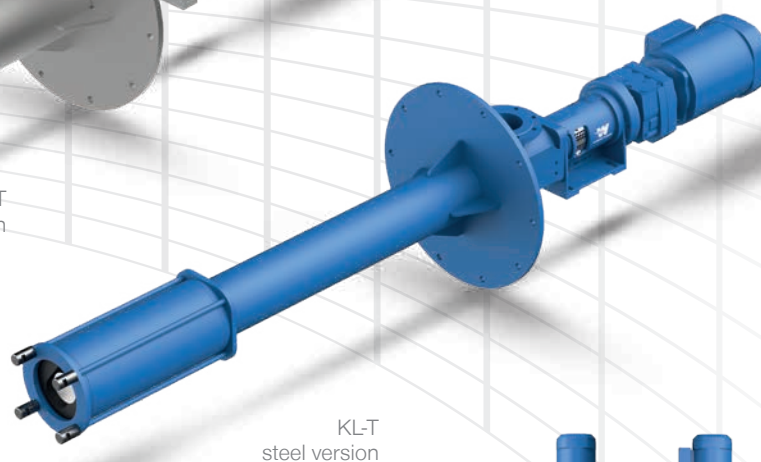
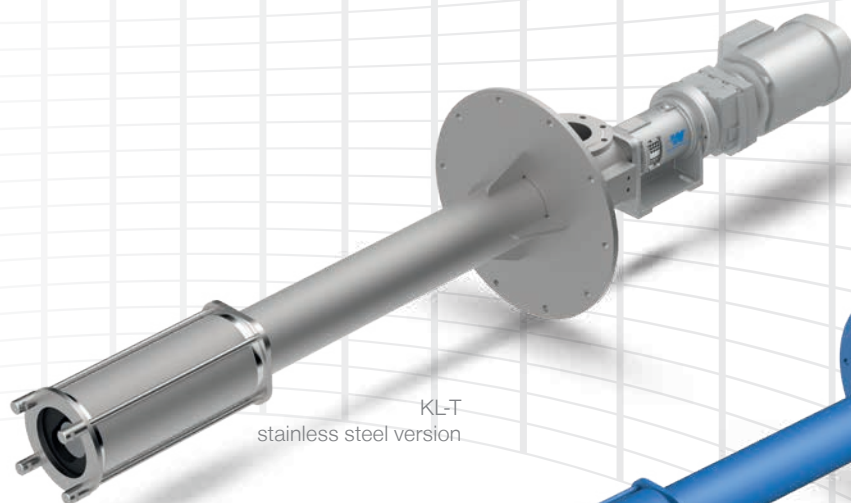
Technical Data

# Performance Data KL-T

The KL-T series has a robust bearing pedestral with a direct flanging and self-centering drive. In this way, sufficient reserve forces are available, also in the case more sophisticated media.

For optimal filling of the pumping chamber, the stator has a funnel-shaped input. The specially tested sealing system of Wangen Pumpen contributes to the high operational safety.

Pump size	Maximum free ball passage (mm)	Max. flowrate (m <sup>3</sup> /h) at 350 min <sup>-1</sup>	Maximum differential pressure (bar)
30	51	31,5	12
50	95	105	12
65	112	259	12
80	121	525	12
100	150	560	12





**WANGEN PUMPEN is certified to:**

ISO 9001 (Quality management)

ISO 14001 (Environmental management)

ISO 45001 (Occupational safety and health protection)

Your contact:

**Pumpenfabrik Wangen GmbH**

Simoniusstrasse 17

88239 Wangen im Allgäu

Germany

[www.wangen.com](http://www.wangen.com)

Technical consultation: +49 7522 997-0

Service hotline: +49 7522 997-997

Spare parts: +49 7522 997-896