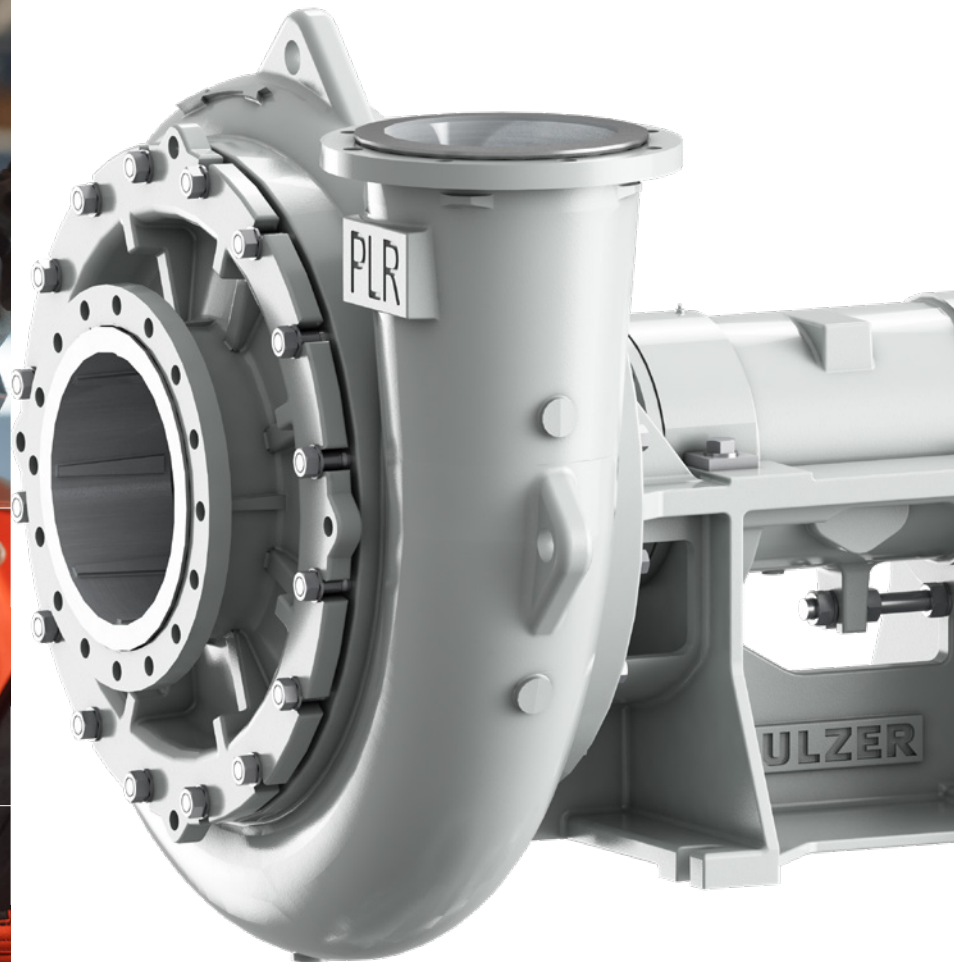




Flow Equipment

PLR slurry pump



Main industries and applications

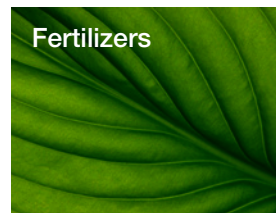
Sulzer, with a long experience acquired over the years and in-depth knowledge of pumping slurries, offers the best solutions for heavy-duty applications. The PLR pump range has been specifically designed to handle liquids with a high solids contents. Optimized design ensures maximum corrosion and abrasion resistance and extended lifetime of the pump.

The PLR pump is designed to be manufactured from very hard materials with a high hardness level thus affording the best anti-abrasion characteristics.

Optional materials such as stainless steel or other corrosion-resistant alloys are available for the pumping of aggressive slurries.

A specific design combined with a wide range of options makes the PLR pump suitable for highly demanding applications such as:

- Abrasive and corrosive slurries
- Ammonium nitrate
- Froth pumping and self-regulating applications



Features and benefits

Sulzer's PLR slurry pumps offer high reliability and durability. An expanded range of hard materials coupled with advanced technology makes the pumps more reliable and allows us to maximize the value for our customers. Key customer benefits include:

Maximum abrasion and corrosion resistance

- Wide range of high-quality materials ensures exceptional resistance against wear in all pumping applications for abrasive and corrosive liquids
- Ample wall thickness and optimized shapes of main wear parts ensure improved corrosion and abrasion resistance and extended pump and spare parts lifetime
- Erosion minimized due to tangential design

High reliability and durability

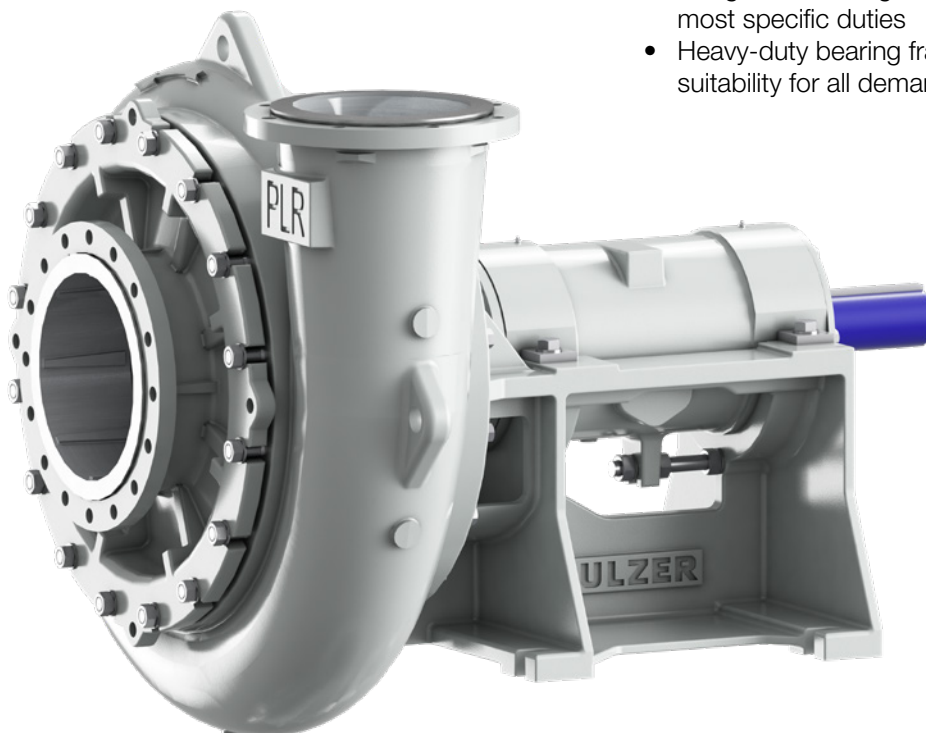
- High reliability due to special heavy-duty bearing unit with outer bearing to withstand high radial loads
- Replaceable back wear plate and wear suction cover guarantee high durability of the pump

High interchangeability

- Low spare parts cost due to high interchangeability between PLR pumps
- High interchangeability of construction materials within PLR pump range

Maximum adaptability

- Closed, special semi-open and vortex impeller designs ensure high adaptability of the pump for most specific duties
- Heavy-duty bearing frame offers maximum suitability for all demanding applications



Materials

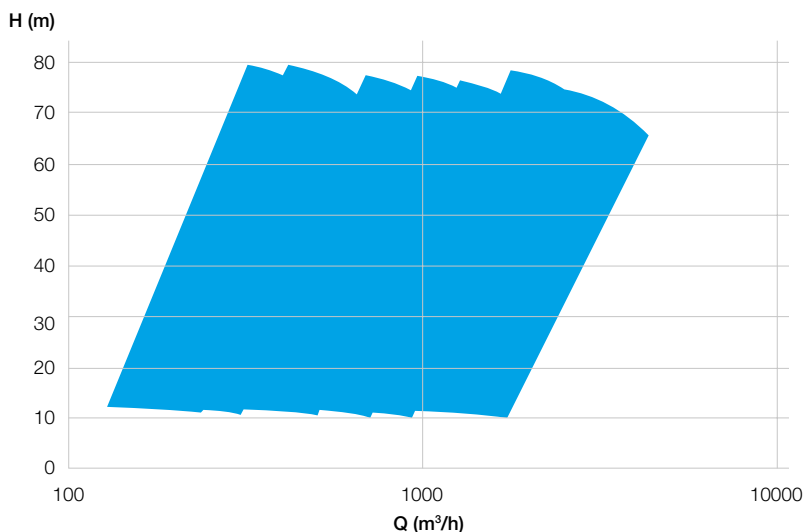
| Material | Sulzer code | Specification |
|------------------------------|---|--|
| Austenitic stainless steel | 43 (J0270) | ASTM A743 Grade CN-7M |
| Duplex stainless steel | 4L/U55E02 (J0266) 4T/P5M (J0267) | ASTM A890 Grade 1B ASTM A890 Grade 5A |
| Wear-resistant chromium iron | EXR (F0207) CRM (F0204) FC1 (F0205) | ASTM A532 IIIA Type A, level 2 Gx100CrMo30-2 Gx160CrNiMo38-5-2 |

Operating data

| | 50 Hz | 60 Hz |
|---------------------------|-------------------------------|--------------------|
| Capacities | up to 3'900 m ³ /h | up to 17'200 USgpm |
| Heads | up to 80 m | up to 262 ft. |
| Pressures | up to 50 bar | up to 735 psi |
| Temperatures | up to 150°C | up to 300°F |
| Maximum speed of rotation | up to 2'500 rpm | up to 2'500 rpm |

Higher capacities and heads upon request.

Performance range



Maximum reliability

1 Optimized tangential design

- Case and impeller geometries to limit erosion

2 Optimized impeller design for various liquids and applications

- Wear-resistant closed impeller with front and back relief vanes
- Semi-open impeller
- Vortex impeller

3 Back wear plate

- Wear plate fitted on the back of the impeller to limit the wear of the pump casing and to ensure high durability of the pump

4 Ample wall thickness

- High abrasion resistance due to great wall thickness

5 Heavy-duty bearing unit

- Grease lubrication as standard (oil lubrication optional)
- Heavy-duty bearings ensuring long lifetime
- Double tapered roller bearings for V-belt transmission or for direct drive
- Adjustable design to optimize clearances between casing and impeller

6 Shaft sealing

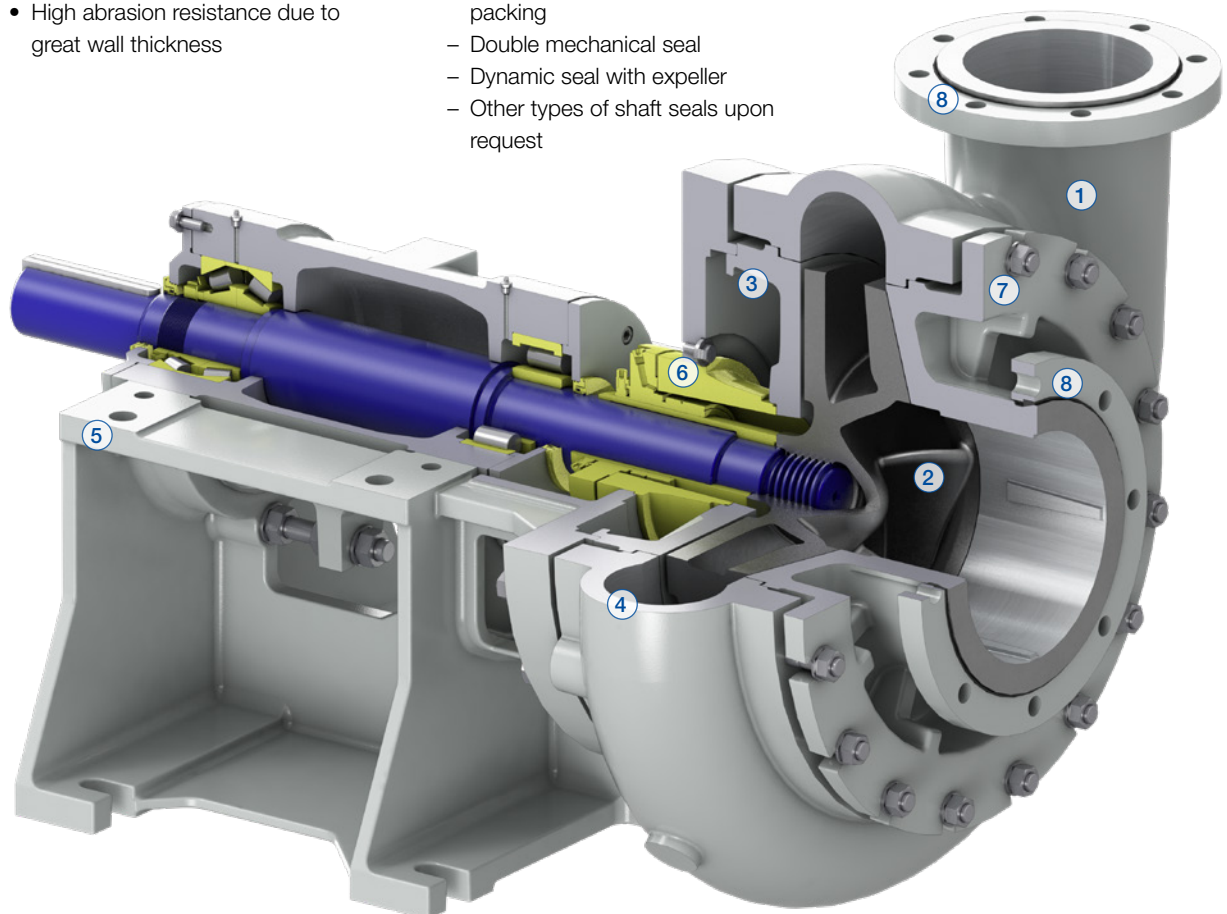
- Wide range of sealing arrangements for perfect suitability to all applications
 - Gland packing
 - Single mechanical seal
 - Mechanical seal with gland packing
 - Double mechanical seal
 - Dynamic seal with expeller
 - Other types of shaft seals upon request

7 Wear suction cover

- Removable/replaceable wear suction cover to limit wear on main pump casing and ensure high durability of the pump (available for large hydraulic sizes)

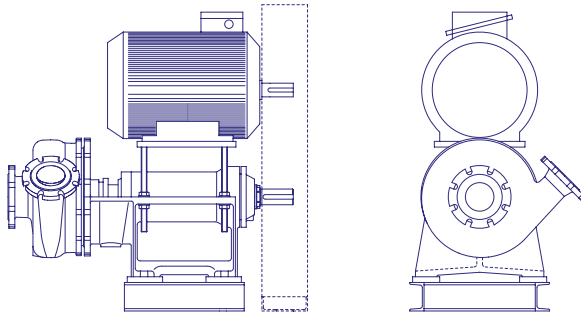
8 Floating flange design

- For easy assembly and positive sealing (available for large hydraulic sizes)



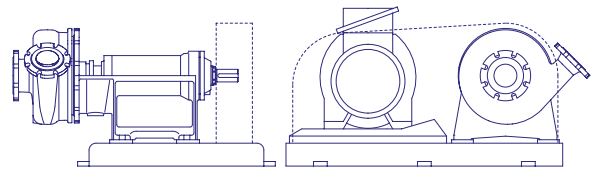
Installation schemes

The discharge flange position is adjustable in a pre-defined direction. Various motor installation schemes are available to accommodate the unit with the plant layout and to ensure maximum flexibility. Typical installation schemes are illustrated below. Other configurations are available upon request.



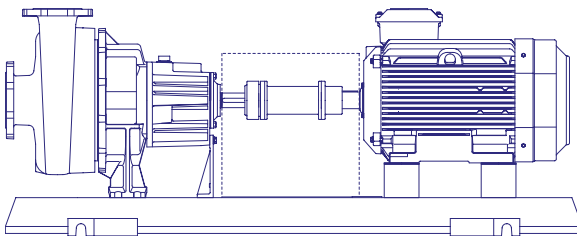
Pump driven by V-belts

- Motor mounted on pump bearing unit to limit equipment footprint



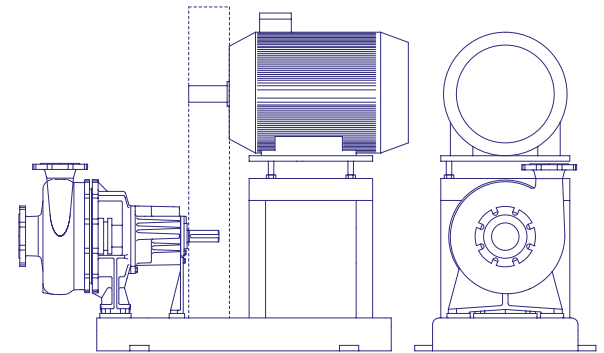
Pump driven by V-belts

- Motor on common baseplate on the side of the pump



Pump driven by direct spacer coupling

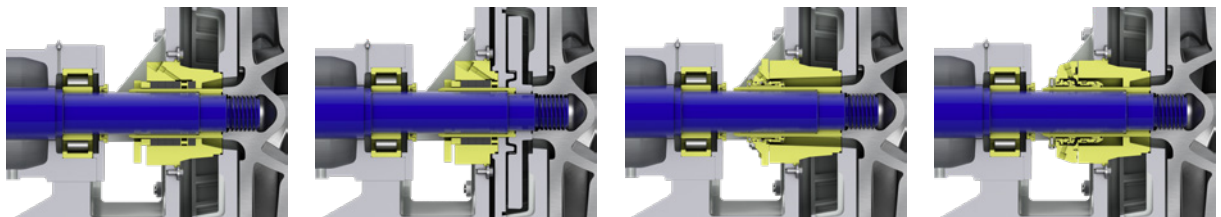
- Back pull-out unit can be removed without disturbing pipes and motor



Pump driven by V-belts

- Motor on elevated support to limit equipment footprint

Shaft sealing is available with packings, hydrodynamic seal (expeller), single and double mechanical seal, both available with open or closed seal chamber.

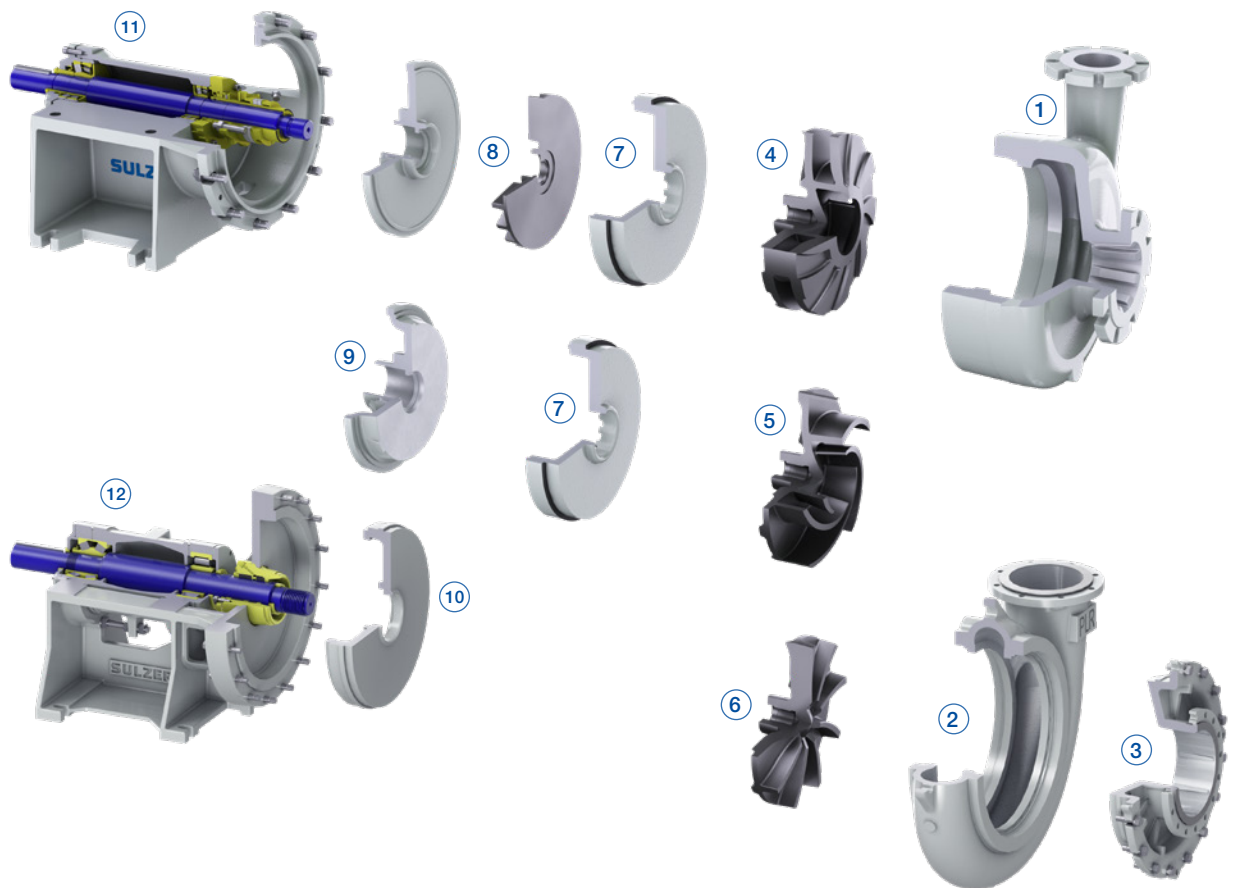


Flexible design

Sulzer's PLR pump range, with its hard material construction, meets the highest anti-abrasion requirements. Additionally, optional materials made of highly corrosion-resistant alloys have been specially designed for the pumping of highly aggressive slurries.

The PLR pump range offers maximum interchangeability for lower inventory costs and greater process reliability due to common modules and components such as:

- 23 hydraulic sizes
- 20 sealing units
- 5 bearing units



- | | |
|--|--|
| ① Small hydraulic size flanges with clutch design | ⑦ Back wear plate |
| ② Large hydraulic size with floating flange design | ⑧ Expeller with gland packing |
| ③ Large hydraulic size with wear suction cover | ⑨ Closed seal chamber |
| ④ Wear-resistant closed impeller with front and back vanes | ⑩ Open seal chamber |
| ⑤ Semi-open impeller | ⑪ Heavy-duty bearing unit for small hydraulic sizes |
| ⑥ Vortex impeller | ⑫ Heavy-duty bearing unit for large hydraulic sizes with adjustable design |

CELEBRATING

50

YEARS OF EXPERIENCE

**EXPERIENCE INNOVATIVE
THINKERS AND PRODUCTS**



ALL ABOUT EXPERIENCE

allpumps.com.au

1300 255 786 | sales@allpumps.com.au