

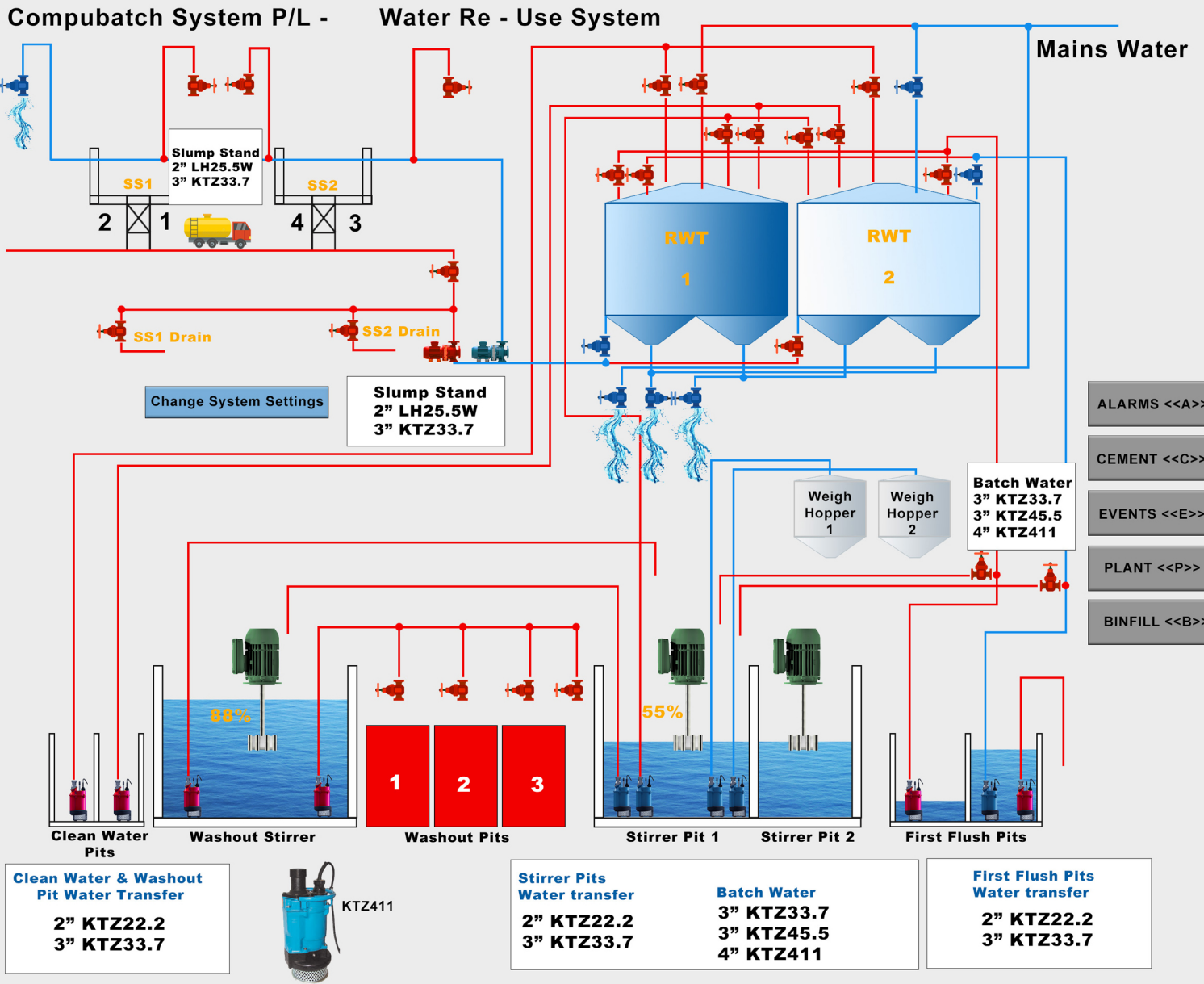


**ALL PUMPS ARE THE PREMIER
PUMP SUPPLIER FOR AUSTRALIA'S
CONCRETE BATCHING PLANTS**



www.allpumps.com.au

Batch Plant Pump Selector



SINGLE PHASE SLURRY PUMPS

2\"/>

2\"/>

TSURUMI'S ADVANTAGE

ORIGINAL PARTS – Tsurumi's innovative and unique parts include the patented Oil lifter, dual mechanical seals, thermal protectors, and anti-wicking cable entry, which are part of the company's goal to deliver maximum efficiency, performance, and longevity to its users.

WORLD-CLASS FACILITY – Tsurumi's Kyoto Plant is among the most advanced submersible pump manufacturing plant in the world. With access to the latest manufacturing technologies, Tsurumi ensures that each pump is built with precision.

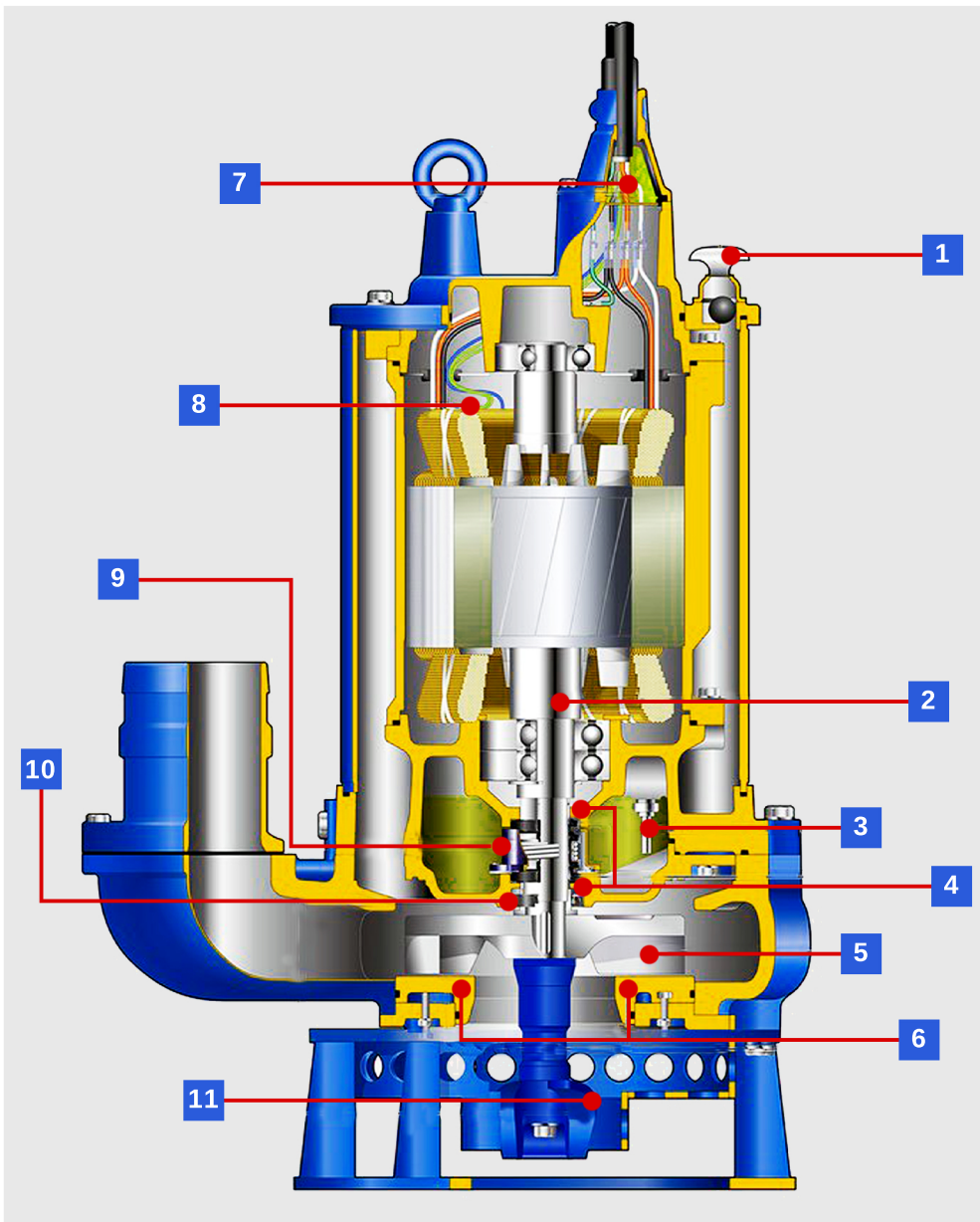
CHOICE OF MATERIALS – Tsurumi remains strong in the saturated pump market because of their decision to utilize higher quality materials that will outlast other pumps.

ACTIVE ENGINEERING – Tsurumi's research and development department is involved in a continuous program of finding new and superior materials and parts fit for different pumping applications.



REASONS TO GET A TSURUMI PUMP TODAY

All Tsurumi pumps boast original technologies that came from the company's many years of research and field testing. These propriety parts and the choice of materials are what make Tsurumi superior over any other brands.



1 AIR RELEASE VALVE

- Convenient release of air vapor
- Prevents air lock problems after servicing/restarting from dry pump condition

2 CHROMIUM MOLYBDENUM MOTOR SHAFT

- SCM435 Chromium-molybdenum alloy steel construction
- Excellent strength against corrosive and abrasive materials
- High pressure and high temperature resistance

3 LEAKAGE SENSOR

- 304 Stainless Steel construction for lasting sensing
- Remote monitoring of water incursion into the oil chamber

4 DUAL INSIDE MECHANICAL SEALS WITH SILICON CARBIDE FACES

- Longer lasting with strength up to 5 times more than the traditional tungsten carbide seal face.
- Strategically positioned inside an oil chamber where it is isolated from the abrasive or corrosive fluid that's being pumped.

5 HIGH CHROMIUM IRON SEMI-OPEN IMPELLER

- Rugged impeller construction to resist corrosion and abrasion during tougher pumping conditions.
- Prevents premature wearing of the impeller to maintain the pump's optimal performance and long operating life.

6 ADJUSTABLE SUCTION PLATE

- Provides an easy way to restore the pump's prime performance by simply tightening or loosening the suction plate
- Made of high chromium cast iron for higher resilience

7 ANTI-WICKING CABLE ENTRY

Seals the pump from surrounding fluid in cases where the power cable gets damaged or when the pump gets totally submerged

8 MINIATURE THERMAL PROTECTORS

- Detects excessive temperature inside the pump, preventing the motor from damaging and dry running

9 OIL LIFTER (PATENTED)

- Uses oil for lubricating the double mechanical seals to keep it cool during continuous or high temperature pumping and prevent early wear.
- Provides economic lubrication using only 1/3 of the normal oil consumption.

10 OIL SEAL

Serves as a dust seal that protects the mechanical seal from abrasive materials that come the pumped fluid.

11 AGITATING MECHANISM

- Agitator and strainer set for mixing settled solids with the pumped liquid.
- Engineered from high chromium cast iron material for better resistance against abrasion and corrosion.

TSURUMI'S RANGE OF SUBMERSIBLE PUMPS

Tsurumi is a frontrunner in the design and manufacture of first-rate submersible pumps that are used in some of the toughest fluid transfer jobs in concrete plants, mining and construction sites, wastewater treatment plants, and other industrial facilities.

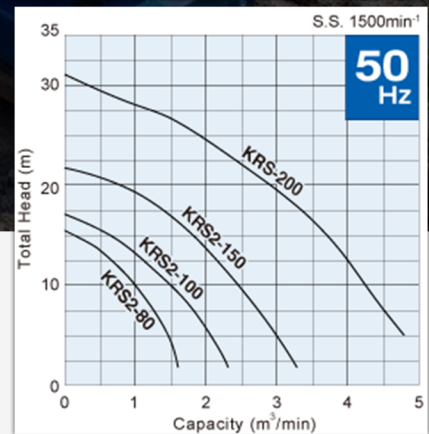
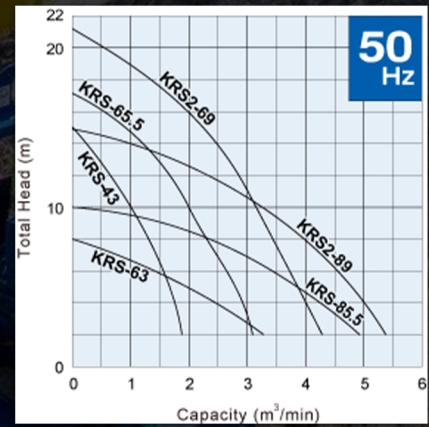
KRS SERIES OF DEWATERING PUMPS

The KRS series features three-phase heavy-duty submersible pumps that are driven by a 4-pole motor. The pumps in this group are engineered for high volume pumping. The cast iron casing and sturdy impeller allow the pumps to withstand even the most rigorous jobs like continuous abrasive fluid pumping; making the KRS models the perfect equipment to use in concrete plants.

FEATURES:

- Lower impeller tip speed and extended parts wear life
- Built-in agitator in chromium iron for blockage prevention
- Ductile or High chrome impeller
- Compact but rugged construction
- Temperatures up to 40°C
- Tsurumi's standard parts including dual mechanical seal with silicon carbide face, thermal protector for motor, anti-wicking cable entry, and Oil lifter

MODEL	Capacity (lpm)	Head (m)	Bore (mm)	Motor (kW)	Max Solid (mm)
KRS-43	1820	14.8	100	3	12
KRS-63	3250	8	150	3	15
KRS-65.5	3180	17	150	5.5	20
KRS-85.5	4850	10	200	5.5	20
KRS2-69	4250	21	150	9	20
KRS2-89	5300	15	200	9	30
KRS2-80	1670	15.8	80	4	30
KRS-100	2350	17.1	100	6	30
KRS2-150	3250	22	150	9	30
KRS2-200	4300	31	200	18	30



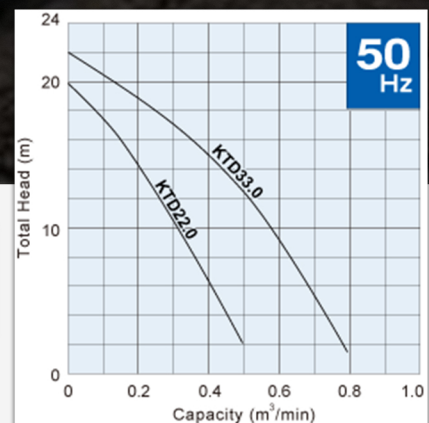
KTD SERIES OF DEWATERING PUMPS

The KTD pumps are heavy-duty submersible types integrated with agitators, making them ideal for applications dealing with large concentrations of solids and abrasive particles.

FEATURES:

- Non-clog design
- Temperatures up to 40°C
- Top discharge design for better motor cooling during continuous operation
- 2 pole, 3600 RPM
- Lower impeller tip speed for prolonging pump life
- Tsurumi's standard parts including dual mechanical seal with silicon carbide face, thermal protector for motor, anti-wicking cable entry, and Oil lifter

MODEL	Capacity (lpm)	Head (m)	Bore (mm)	Motor (kW)	Max Solid (in)
KTD22.0	500	20	50	2	10
KTD33.0	800	22	80	3	10



TSURUMI'S RANGE OF SUBMERSIBLE PUMPS

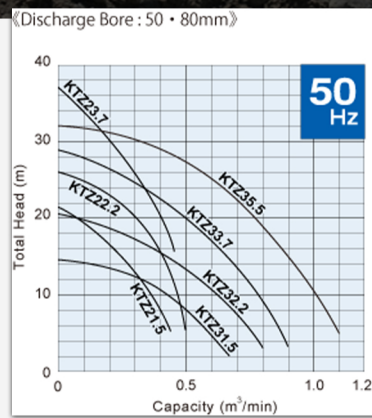
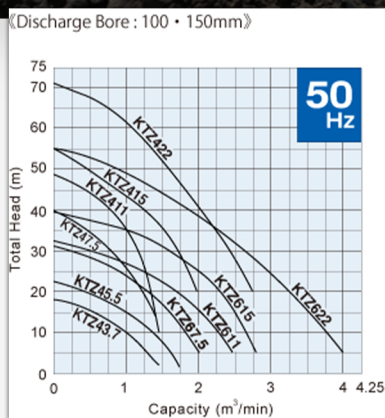
KTZ SERIES OF DRAINAGE PUMPS



The KTZ series comprises robust submersible pumps that are suitable for demanding applications such as transfer of fluids filled with abrasive particles, which is common in concrete plants. These pumps are highly versatile following their ability to easily convert between high head and high volume performance by simply changing the impeller and wear plate.

FEATURES:

- 2 pole, 3600 RPM to achieve higher heads
- Rugged cast iron construction
- Air relief port to eliminate risks of air lock
- Tsurumi's standard parts including high pressure rated dual mechanical seal with silicon carbide face, thermal protector for motor, anti-wicking cable entry, and Oil lifter



Model	Capacity (lpm)	Head (m)	Bore (mm)	Motor (kW)	Max Solid Diameter (mm)
KTZ21.5	430	21.5	50	1.5	8.5
KTZ31.5	670	14.4	80	1.5	8.5
KTZ22.2	500	26	50	2.2	8.5
KTZ32.2	800	20.4	80	2.2	8.5
KTZ23.7	450	36.5	50	3.7	8.5
KTZ33.7	900	29	80	3.7	8.5
KTZ43.7	1440	18	100	3.7	8.5
KTZ35.5	1100	32	80	5.5	8.5
KTZ45.5	1740	22.5	100	5.5	8.5
KTZ47.5	1400	40	100	7.5	12
KTZ67.5	2030	31	150	7.5	20
KTZ41.1	1440	48.5	100	11.0	12
KTZ61.1	2440	32.5	150	11.0	20
KTZ41.5	1980	55	100	15	12
KTZ61.5	2800	39.5	150	15	20
KTZE21.5	430	21.5	50	1.5	8.5
KTZE31.5	670	14.4	80	1.5	8.5
KTZE22.2	500	26	50	2.2	8.5
KTZE32.2	800	20.4	80	2.2	8.5
KTZE23.7	450	26.5	50	3.7	8.5
KTZE33.7	900	29	80	3.7	8.5
KTZE43.7	1440	18	100	3.7	8.5

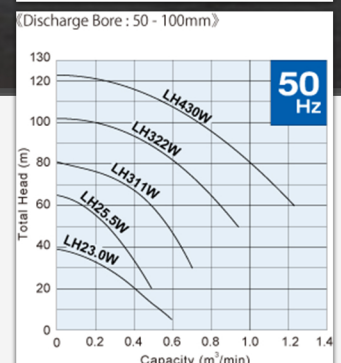
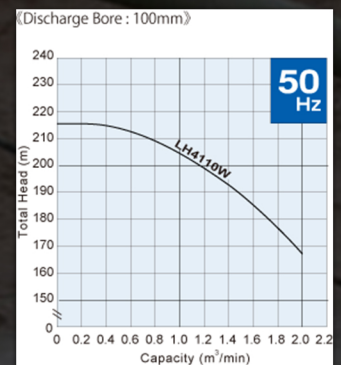
LH-W SERIES OF HIGH HEAD PUMPS



The LH-W series is designed for extreme high head applications. These pumps were made slim and cylindrical to fit in deep wells or boreholes. Most of the models are fitted with a center flange to ensure stable installation even when positioned at the discharge pipe. The dual stage enclosed impellers are behind the pump's powerful pumping action that's needed in long distance water transfer jobs.

FEATURES:

- High head high volume high pressure capabilities
- Top discharge flow-thru design for maximum motorcooling efficiency allowing continuous operation at low water levels
- Replaceable and adjustable high chrome wear rings for increased wear resistance.
- Tsurumi's standard parts including high pressure rated dual mechanical seal with silicon carbide face, thermal protector for motor, anti-wicking cable entry, and Oil lifter



MODEL	Capacity (lpm)	Head (m)	Bore (mm)	Motor (kW)	Max Solid (mm)
LH23.0W	600	39	50	3	6
LH25.5W	490	65	50	5.5	6
LH311W	700	81	80	11	8.5
LH322W	940	102	80	22	8.5
LH430W	940	123	100	30	8.5
LH4110W	2000	216	100	110	8

Why Tsurumi?

- ✓ High Chromium abrasive resistant impellers
- ✓ Oil lifter enables pumps to run dry
- ✓ Large stock in local branches for speedy delivery
- ✓ All pumps selection process will help you get it right the first time, everytime.

Why All Pumps... All Pumps Advantage



Experience

Industry leader and innovator with over 45 years experience. Experience counts.



Friendly Service & Advice

Experienced and knowledgeable customer service and sales team.



Inventory

The pumps and parts you need when you need them.



Breadth of Range

Largest range of pumps and accessories in Australia.

Nexus Connect Audit App

Our market leading online pump portal makes it easy to monitor what's onsite to improve communication, awareness, servicing and reliability.

Ask your team member about our site audit service today.

nexusconnect.app

