

nexus

NEXT GENERATION PUMPING



**NV1, NV3, NV5, NV10,
NV15, NV20, NV32,
NV45, NV64, NV90**

NV, NVI, NVN

Vertical Multistage

Centrifugal Pump, 50Hz

www.allpumps.com.au

Contents

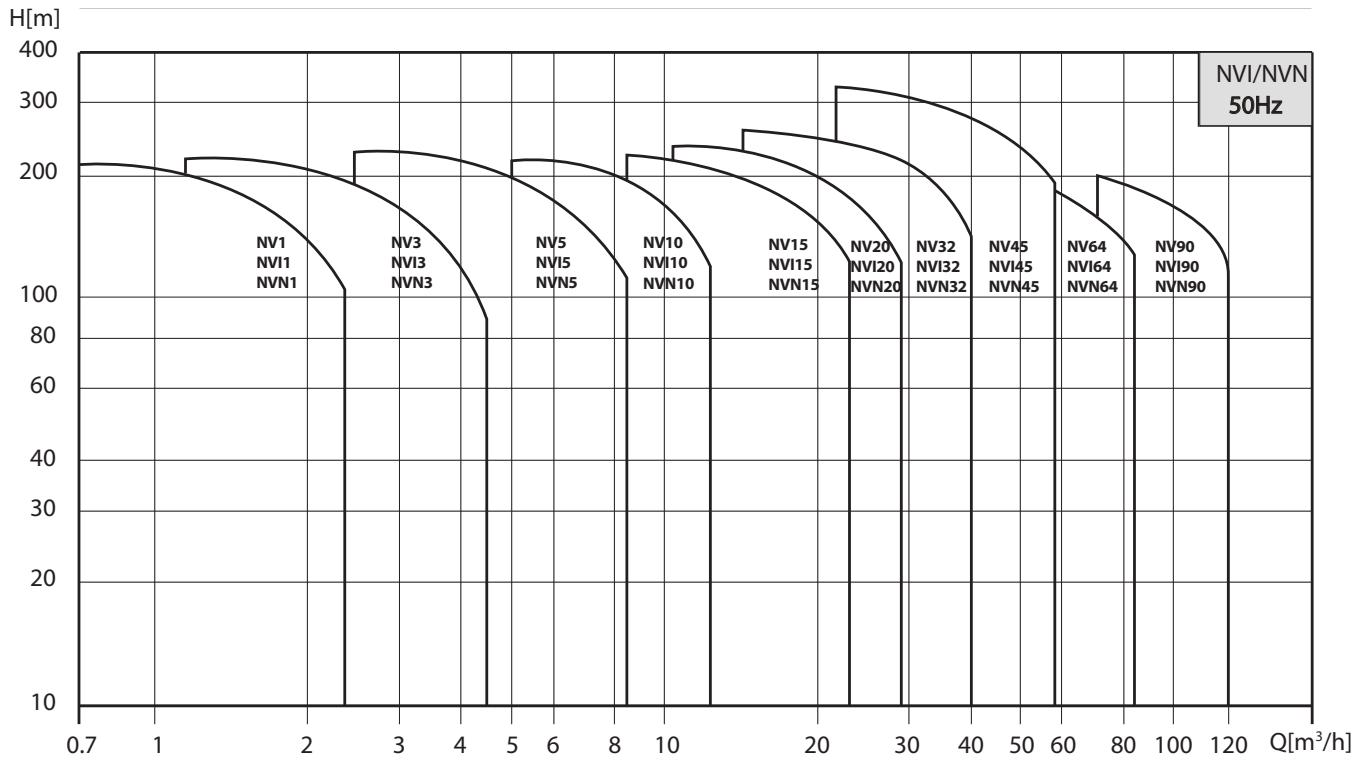
General Data

Performance scope	3
Product data	4
Applications	5
Pump	5
Electric Motors	5
Definition of Model	5
Motor	6
Mechanical seal	6
Sectional drawing	7
Maximum operating and inlet pressure	8
Performance curves	9
Minimum inlet pressure NPSH	10
Operation in parallel	10
Pumped liquids	11

Technical Data

NV, NVI, NVN 1	13
NV, NVI, NVN 3	16
NV, NVI, NVN 5	19
NV, NVI, NVN 10	22
NV, NVI, NVN 15	25
NV, NVI, NVN 20	28
NV, NVI, NVN 32	31
NV, NVI, NVN 45	34
NV, NVI, NVN 64	37
NV, NVI, NVN 90	40

Performance Scope



Product Data

Range	NV, NVI, NVN									
	1	3	5	10	15	20	32	45	64	90
50Hz										
Nominal flow (m3/h)	1	3	5	10	15	20	32	45	64	90
Flow range(m3/h)	0.7-2.4	1.2-4.5	2.5-8.5	5-13	8.5-23.5	10.5-29	15-40	22-58	30-85	45-120
Max. pressure (bar)	21.5	23	24	21.5	23	24.3	27.5	33	21.8	20
Fluid temperature (°C)	-15 to +120									
Motor power (kW)	0.37-2.2	0.37-3	0.37-5.5	0.37-7.5	1.1-15	1.1-18.5	1.5-30	3-45	4-45	5.5-45
Version										
NV Cast iron and stainless steel EN 1.4301/AISI 304	•	•	•	•	•	•	•	•	•	•
NVI: Stainless steel EN 1.4301/AISI 304	•	•	•	•	•	•	•	•	•	•
NVN: Stainless steel EN 1.4401/AISI 316	•	•	•	•	•	•	•	•	•	•
Motor										
Mains connection 1~(V/Hz) (Permissible voltage tolerance ± 10%)	220-240 V 50 Hz									
Mains connection 3~(V/Hz) (Permissible voltage tolerance ± 10%)	0.37-7.5 kW 220-240/380-415 V 50 Hz From 11 kW 380-415 V 50 Hz									
Insulation class	F									
Protection class	IP 55									
Ambient temperature	50°C									
NV Pipe Connection										
Flange	DN 25	DN 25	DN 25	DN 40	DN 50	DN 50	DN 65	DN80	DN100	DN100
	DN 32	DN 32	DN 32							
NVI, NVN Pipe Connection										
Flange	DN 25	DN 25	DN 25	DN 40	DN 50	DN 50	DN 65	DN80	DN100	DN100
	DN 32	DN 32	DN 32							
Victaulic-connections	R 1 ¹ / ₄	R 1 ¹ / ₄	R 1 ¹ / ₄	R 2	R 2	R 2	N/A	N/A	N/A	N/A
	DN 32	DN 32	DN 32	DN50	DN50	DN50				
SiC/SiC	Standard									
Seals										
EPDM	Standard									
Viton										

Applications

- Water supply and pressure boosting: Pressure boosting in buildings, hotels, residential complexes, pressure booster stations, supply of water networks, pressure boosting for industrial water supply.
- Light industry: Washing and cleaning systems, car washing facilities, fire fighting systems, process water systems, machine tools (cooling lubricants).
- Heating, ventilation and air -conditioning: boilers, induction heating, heat exchangers, refrigerators, cooling towers and systems, temperature control systems.
- Irrigation and agriculture: greenhouses, sprinkler irrigation, flood irrigation.
- Water Treatment: Water softeners and de-mineralization, reverse osmosis systems, distillation systems, filtration, ultra-filtration systems.

Pump

The NV, JVI and JVN pumps are non-self priming vertical multistage pump of inline design, flanged or with victaulic coupling with equally sized suction and discharge ports. Stage construction with stainless steel impellers, chambers and pressure casing. Pump stub shaft and motor shaft of the IEC- standard motor are directly close coupled. All pumps are equipped with a cartridge type mechanical seal for easy maintenance.

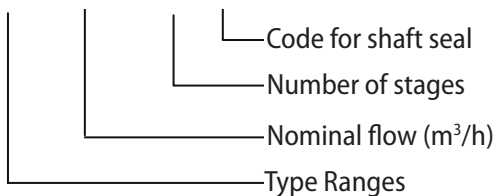
NV, JVI and JVN pumps have different pump sizes and various numbers of stages to provide the flow and the pressure required.

Electric motors

- Squirrel cage, aluminum or cast iron casing up to 45 kW, totally enclosed, fan-cooled, 2-pole standard motor.
- Enclosure class: IP55
- Insulation class: F
- Standard voltages: P2: 0.37 - 7.5kW : 3 x 220 - 240V/380 - 415 V
P2: From 11 kW 3 x 380 - 415 V
- The motors have efficiency values that fall within the range referred to as MEPS2
- Ambient temperature : Max. + 50 °C

Definition of Model

NV - 10 - 5 - SQQE



Motor

Motor Type					Nominal current in [A]			
HP	KW	Pole	Flange	Frame	3~220 V	3~240 V	3~380 V	3~415 V
0.5	0.37	2	B14	71	1.7	2	1.1	1.3
0.75	0.55			71	2.5	2.8	1.5	1.7
1.0	0.75			80	3.5	3.9	2.1	2.3
1.5	1.1			90S	4.4	4.7	2.7	2.9
2.0	1.5			90S	5.9	5.7	3.4	3.3
3.0	2.2			90L	8.5	8	4.9	4.6
4.0	3.0			100L	11.4	11.4	6.6	6.6
5.5	4.0			112M	15.4	16.3	8.9	9.4
7.5	5.5			B5	132S	20.8	20.8	12
10.0	7.5		132M		27.4	26.7	15.8	15.4
15	11		160M				21.2	20
20.0	15.0		160M				27.7	25.5
25	18.5		160L				35.2	32.4
30	22		180M				41.3	38.2
40	30		180L				54.2	50.4
50	37		200L				70.8	65.6
60	45		200L				83.1	79.2

Mechanical Seals

Standard Cartridge type mechanical seal made of Silicon Carbide/Silicon Carbide/EPDM or Viton. Based on the type of application, alternative materials are available for the seal and the elastomers. The cartridge type mechanical seal can be replaced in minutes without special tools and without dismantling the pump.



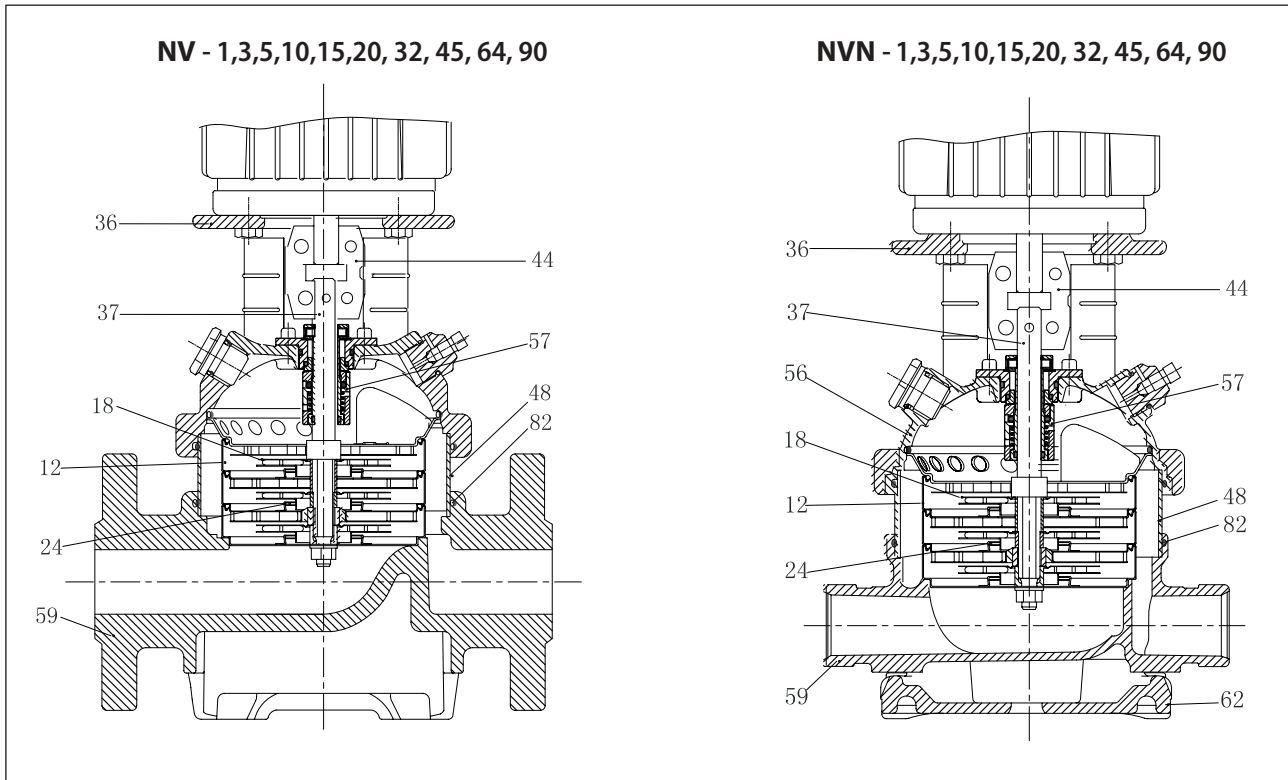
List of Materials

Q : Silicon carbide	E : EPDM
U : Tungsten carbide	V : Viton
B : Carbon	

Type of Seal

Seal Type	NV 1-90	NVI 1-90	NVN 1-90
Mechanical Seals			
S : Cartridge seal	•	•	•
Q Q	•	•	•
UU	Optional	Optional	Optional
UB	Optional	Optional	Optional
Seals			
E	•	•	•
V	•	•	•

Sectional drawing



Pos.	Name	Material	NV 1, 3, 5, 10, 15, 20, 32, 45, 64, 90		NVI 1, 3, 5, 10, 15, 20, 32, 45, 64, 90		NVN 1, 3, 5, 10, 15, 20, 32, 45, 64, 90	
			Standard EN/DIN	Standard AISI/ASTM	Standard EN/DIN	Standard AISI/ASTM	Standard EN/DIN	Standard AISI/ASTM
36	Pump head	Cast Iron	EN-GJL-200	ASTM 25B	EN-GJS-450-10	ASTM 70-50-05	EN-GJS-450-10	ASTM 70-50-05
56	Pump head cover	Stainless steel	N/A		1.4301	AISI 304	1.4401	AISI 316
18	Impeller	Stainless steel	1.4301	AISI 304	1.4301	AISI 304	1.4401	AISI 316
37	Shaft	Stainless steel	1.4057	AISI 431	1.4057	AISI 431	1.4401	AISI 316
48	Outer Sleeve	Stainless steel	1.4301	AISI 304	1.4301	AISI 304	1.4401	AISI 316
82	O-ring for outer sleeve	EPDM	Standard					
12	Chamber	Stainless steel	1.4301	AISI 304	1.4301	AISI 304	1.4401	AISI 316
24	Neck ring	PTFE	Standard					
59	Base	Cast Iron	EN-GJL-200	ASTM 25B	N/A			
	Base	Stainless steel	N/A		1.4301	AISI 304	1.4401	AISI 316
62	Base plate	Cast Iron	N/A		EN-GJL-200	ASTM 25B	EN-GJL-200	ASTM 25B
44	Coupling	Fe-Cu-C	SINT C11	MPIF FC0525	SINT C11	MPIF FC0525	SINT C11	MPIF FC0525
57	Mechanical seal	Cartridge type						

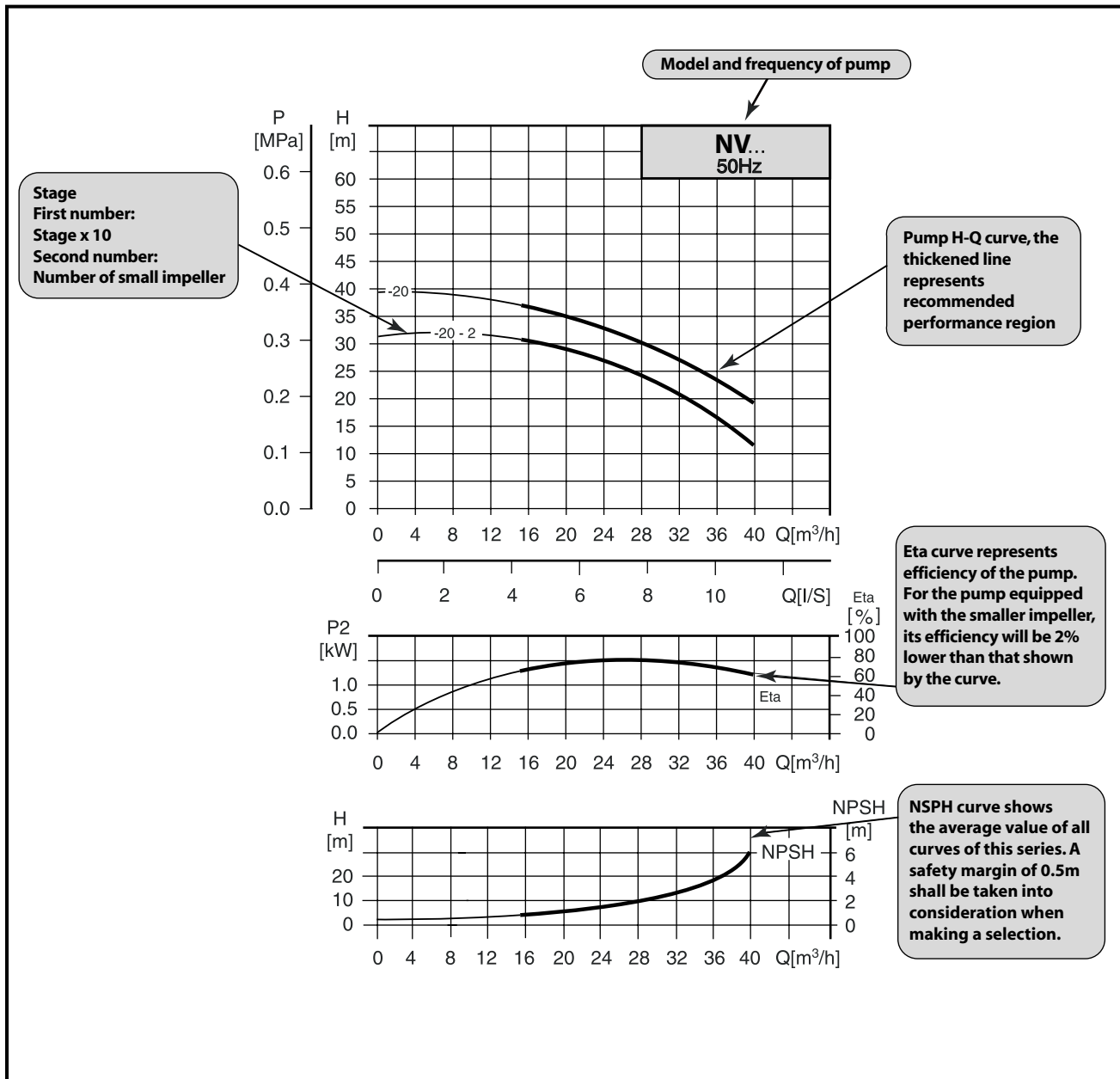
Maximum Operating and inlet pressure

Stages	Maximum Operating Pressure	Stages	Maximum Inlet Pressures
NV, NVI, NVN 1			
2 - 36	25 bar	2 - 36	10 bar
NV, NVI, NVN 3			
2 - 36	25 bar	2 - 29	10 bar
		31 - 36	15 bar
NV, NVI, NVN 5			
2 - 36	25 bar	2 - 16	10 bar
		18 - 36	15 bar
NV, NVI, NVN 10			
1 - 16	16 bar	1 - 6	8 bar
17 - 22	25 bar	7 - 22	10 bar
NV, NVI, NVN 15			
1 - 10	16 bar	1 - 3	8 bar
12 - 17	25 bar	4 - 17	10 bar
NV, NVI, NVN 20			
1 - 10	16 bar	1 - 3	8 bar
12 - 17	25 bar	4 - 17	10 bar
NV, NVI, NVN 32			
(1-1) - 7	16 bar	(1-1)- 4	4 bar
(8-2) - 14	30 bar	(5-2) - 10	10 bar
		(11-2) - 14	15 bar
NV, NVI, NVN 45			
(1-1) - 5	16 bar	(1-1) - 2	4 bar
(6-2) - 11	30 bar	(3-2) - 5	10 bar
(12-2) - (13-2)	33 bar	(6-2) - (13-2)	15 bar
NV, NVI, NVN 64			
(1-1) - 5	16 bar	(1-1) - (2-2)	4 bar
(6-2) - (8-1)	30 bar	(2-1) - (4-2)	10 bar
		(4-1) - (8-1)	15 bar
NV, NVI, NVN 90			
(1-1) - 4	16 bar	(1-1) - 1	4 bar
(5-2) - 6	30 bar	(2-1) - (3-2)	10 bar
		3 - 6	15 bar



• Rule to follow: the inlet pressure + the pressure against a closed valve < Max. operating pressure.

Performance Curves



Conditions for the performance curves:

1. All the performance curves are based on the measured values of a motor 3x380V ~ 415V at a constant speed of 2900 rpm.

2. Curve tolerance in conformity with ISO9906, Appendix A.

3. Measurement is done with 20 °C air-free water, kinematic viscosity of 1mm² /sec.

4. The operation of pump shall refer to the performance region indicated by the thickened curve to prevent overheating due to too small flow rate or overload of motor due to too large flow rate.

Minimum inlet pressure NPSH

If the pressure in pump is lower than the vapour pressure used to convey liquid, cavitation will occur. To avoid cavitation, a minimum pressure at the inlet side of the pump shall be guaranteed. The maximum suction lift can be calculated with following formula:

$$H = P_b \times 10.2 - \text{NPSH} - H_f - H_v - H_s$$

P_b = atmosphere pressure [bar] (can be set as 1 bar)

In a closed system, P_b means system pressure [bar]

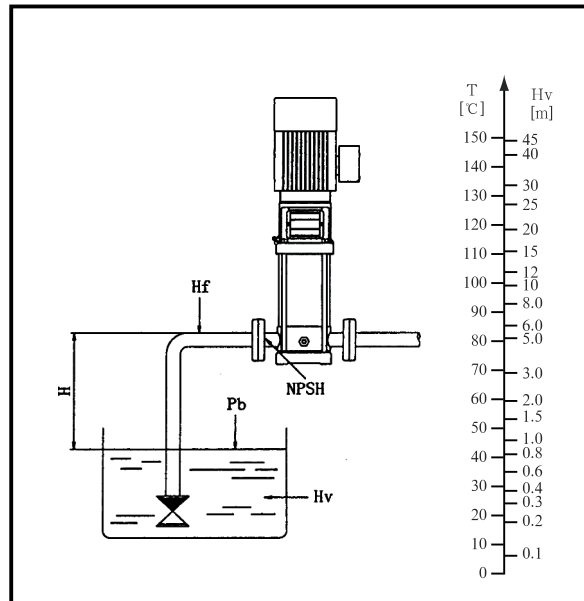
NPSH= Net positive suction head [m], It can be read out from the point of possible max. flow rate shown on NPSH curve

H_f = Pipeline loss at the inlet [m]

H_v = Steam pressure [m]

H_s = Safety margin Minimum 0.5m delivery head

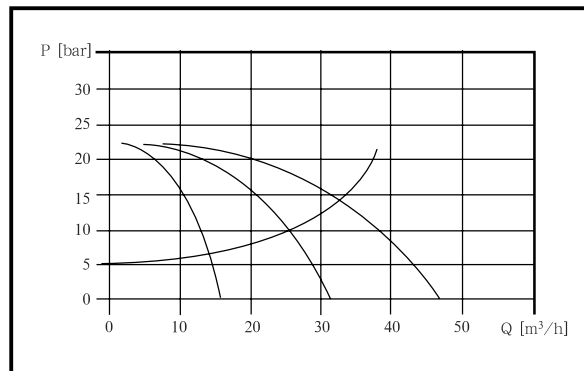
If the calculated result H is positive, the pump may run under the max. suction lift H. In case the calculated result H is negative, a delivery head of min. inlet pressure is necessary.



Check and ensure that the pump is not at cavitation state.

Operation in parallel

- Connecting several pumps in a parallel running mode will benefit the reliability of the system compared to a single pump system.
- Applicable to different working states required by a variable flow system.
- Increasing the availability of water supply if a pump fails: only a part of the system flow is affected.



Two pumps or more can be connected in parallel running if necessary.

Pumped Liquids

NV, NVI, NVN pumps can handle a wide variety of liquids, each with its own characteristic.

NV, NVI

Non-corrosive liquids

For fluid transfer, circulation and pressure boosting of cold or hot clean water.

NVN

Industrial liquids

Light acids

The fluids covered in the list are not complete. Data on the application of different pump materials when handling any of the listed fluids are considered to be the best choices. However, the table is intended as a general guide only, and cannot replace actual testing of the pumped fluids and pump materials under specific working conditions.

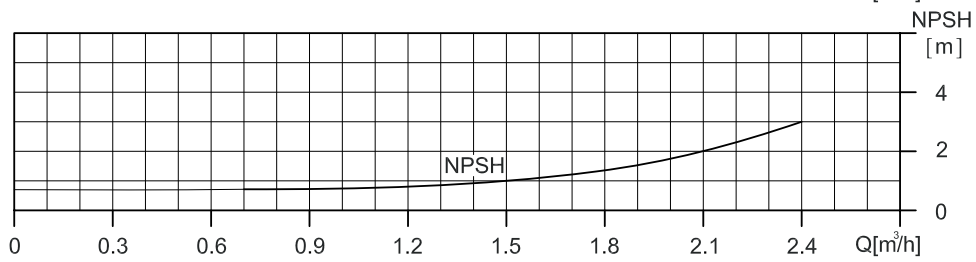
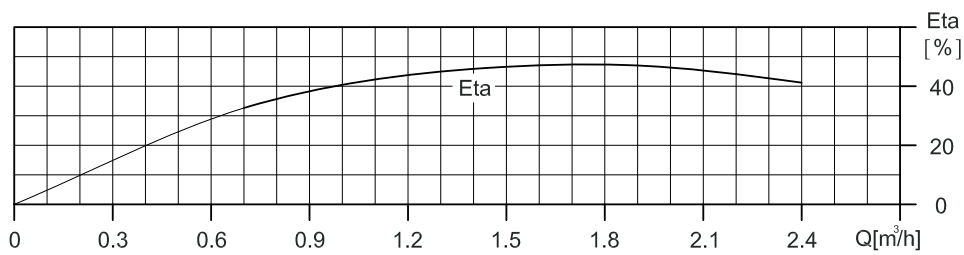
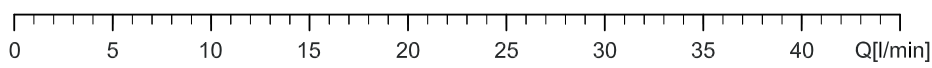
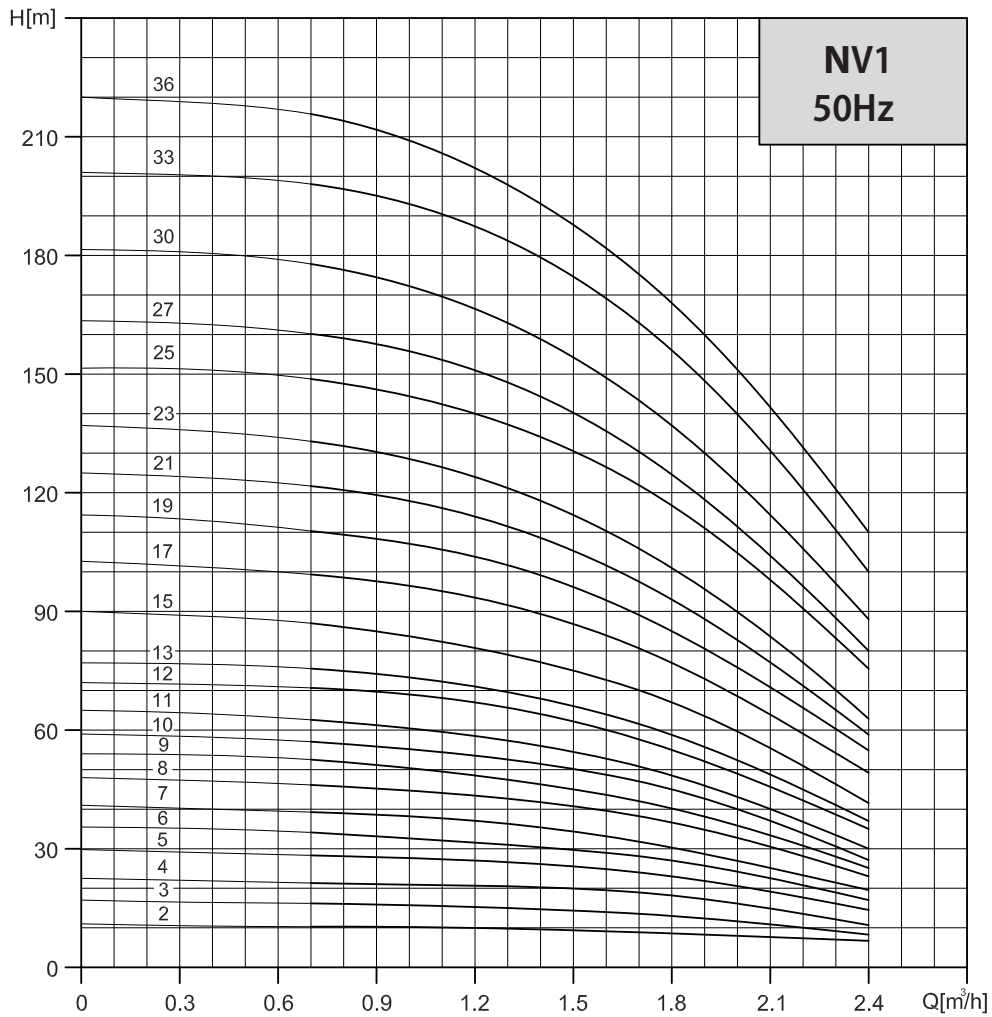
When choosing the pump version, sufficient attention should be given to the flow medium, such as density, solidification point, viscosity as well as ex-protection requirements. The limits of applicability of the pumps, based on pressure and temperature must also be considered.

This table is intended as a general guide only and cannot replace actual testing of the pumped liquids and pump materials under specific working conditions.

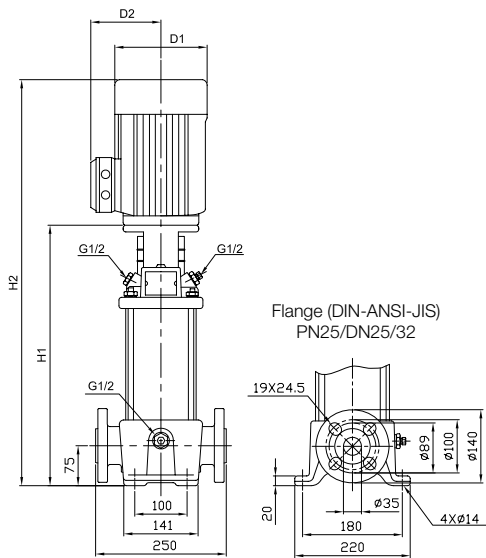
Pumped fluid	Fluid Concentration, temperature	NVI		NVN	
		EPDM	Viton	EPDM	Viton
Acetic acid anhydride	25°C			•	
Alkaline cleaner		•			
Aluminium sulphate	10%, 25°C				•
Ammonia water (A. hydroxide)	20%, 40°C	•			
Ammonia hydrogen carbonate	10%, 40°C	•		•	
Benzoic acid	10%, 90°C				•
Boric acid	Unsaturated solution, 60°C				•
Butanol	60°C	•			
Calcium acetate	30%, 50°C	•			
Calcium hydroxide	Saturated solution, 50°C	•			
Chromic acid	1%, 20°C				•
Condensate	90°C	•			
Copper sulphate	Unsaturated solution, 60°C				•
Deionic (fully desalinated water)	50°C			•	
Ethanol	100%, 20°C	•			
Ethylene glycol/Diethylene glycol	40%, 70°C	•	•	•	•
Fixer	25°C				•
Formic acid	5%, 20°C			•	
Fruit juice	50°C				•

Pumped fluid	Fluid Concentration, temperature	NVI		NVN	
		EPDM	Viton	EPDM	Viton
Glycerine	50%, 50°C	•			
Heating oil (Light)		•			•
Hydraulic oil	100%, 100°C		•		
Isopropanol		•			
Lactic acid	10%, 20°C				•
Linoleic acid	100%, 20°C	•			
Linseed oil	60°C		•		
Liqueur	60°C				•
Maize oil	80°C		•		
Maleic acid	50%, 50°C				•
Methanol	100%, 20°C	•			
Motor oil	100%, 80°C	•			
Oil-water-mixture	100°C		•		
Oxalic acid	1%, 20°C			•	
Peanut oil	100%, 80°C		•		
Phosphoric acid	20%, 20°C			•	
Polyglycols	90°C		•		•
Polyethylene glycols	40%, 70°C	•			
Potassium carbonate	10%, 60°C	•			
Potassium hydrogen carbonate	10%, 60°C	•			
Potassium permanganate	5%, 20°C			•	
Potassium sulphate	Unsaturated solution, 80°C			•	
Rapeseed oil	100%, 80°C		•		
Silicone oil	100%		•		
Sodium carbonate	10%, 60°C			•	
Sodium hydroxide	25%, 50°C			•	
Sodium nitrate	Unsaturated solution, 80°C			•	
Sodium phosphate	5%, 100°C			•	
Sodium sulphate	10%, 60°C			•	
Sulphuric acid	5%, 25°C				•
Water					
Swimming pool water	35°C	•		•	
Deionic	50°C			•	
Distilled water	50°C			•	
Decarbonated water				•	
Soft water				•	
Heating water				•	
Boiler water				•	
Pure water				•	
Rinsing water		•		•	

NV, NVI, NVN 1



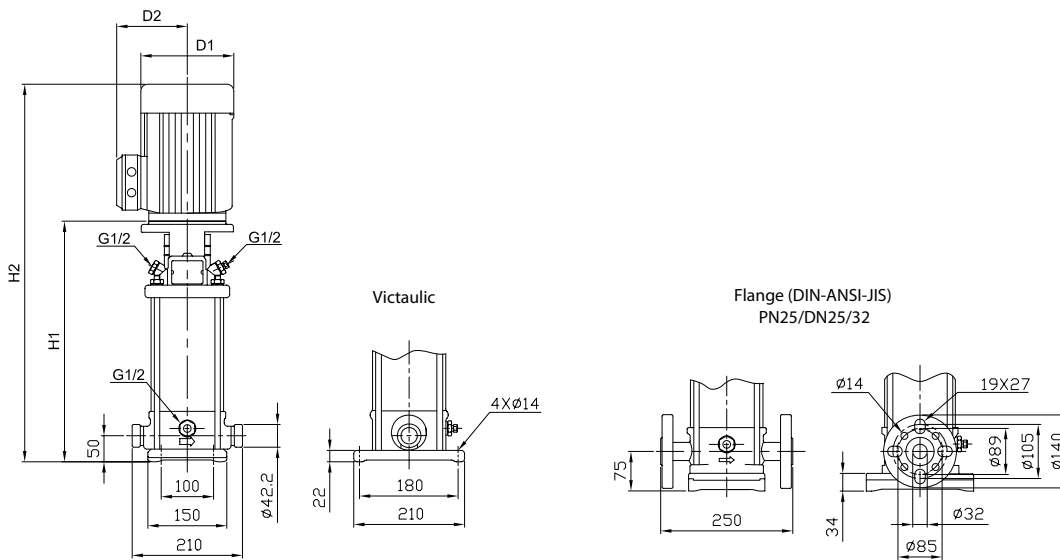
Dimensions and weights NV 1



Weights are indicative only and may change with different motor make & type.

Model	Motor	NV					
		Dimension [mm]				Net weight [kg]	
		P ₂ [kW]	DIN flange		D1	D2	DIN flange
			H1	H2			
JV1-2	0.37	279	470	141	109	23.0	
JV1-3	0.37	279	470	141	109	23.0	
JV1-4	0.37	297	488	141	109	23.0	
JV1-5	0.37	315	506	141	109	24.0	
JV1-6	0.37	333	524	141	109	24.0	
JV1-7	0.37	351	542	141	109	25.0	
JV1-8	0.55	369	560	141	109	26.0	
JV1-9	0.55	387	578	141	109	26.0	
JV1-10	0.55	405	596	141	109	26.0	
JV1-11	0.55	423	614	141	109	27.0	
JV1-12	0.75	447	678	141	109	29.0	
JV1-13	0.75	465	696	141	109	29.0	
JV1-15	0.75	501	732	141	109	30.0	
JV1-17	1.1	537	768	141	109	33.0	
JV1-19	1.1	573	804	141	109	34.0	
JV1-21	1.1	609	840	141	109	35.0	
JV1-23	1.1	645	876	141	109	36.0	
JV1-25	1.5	697	972	175	140	42.9	
JV1-27	1.5	733	1008	175	140	43.7	
JV1-30	1.5	787	1062	175	140	44.8	
JV1-33	2.2	841	1116	175	140	47.9	
JV1-36	2.2	895	1170	175	140	49.1	

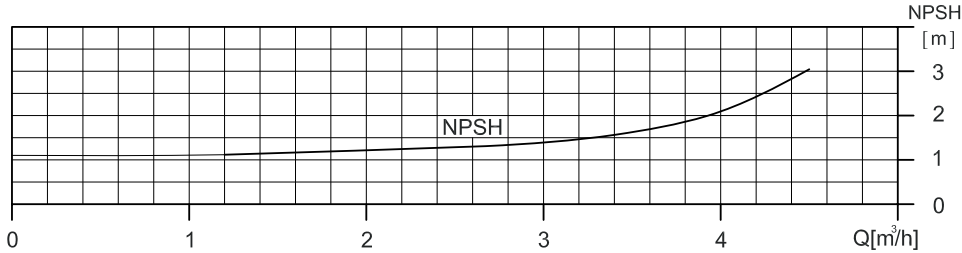
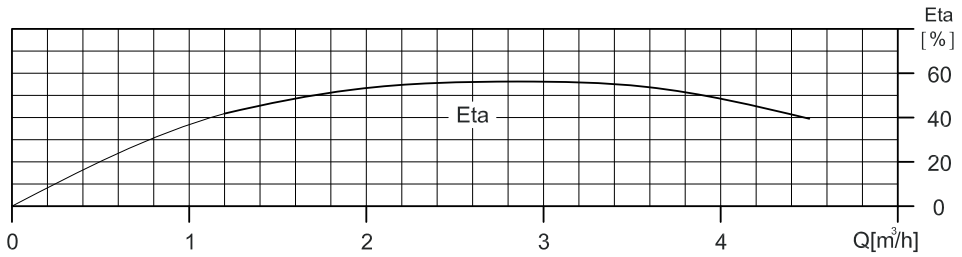
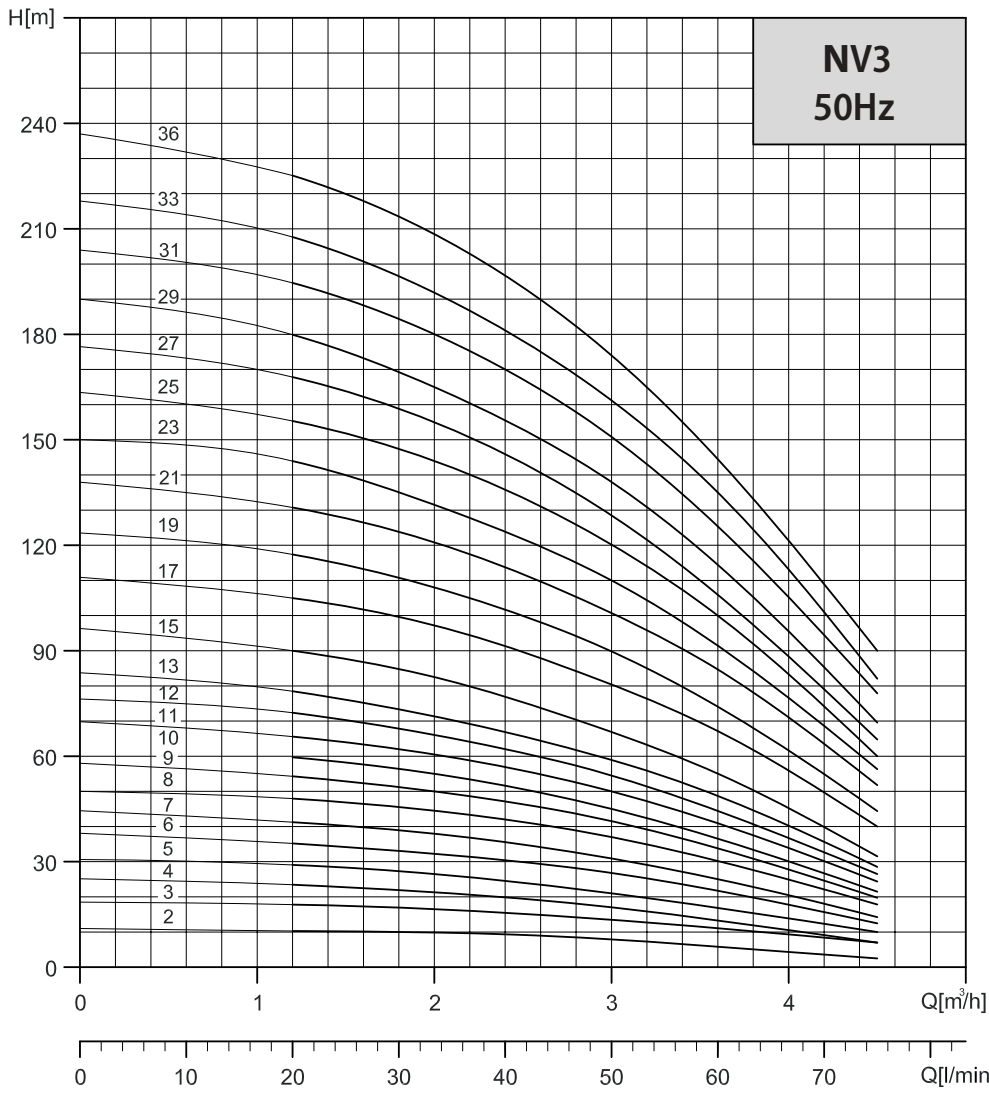
Dimensions and weights NVI, NVN 1



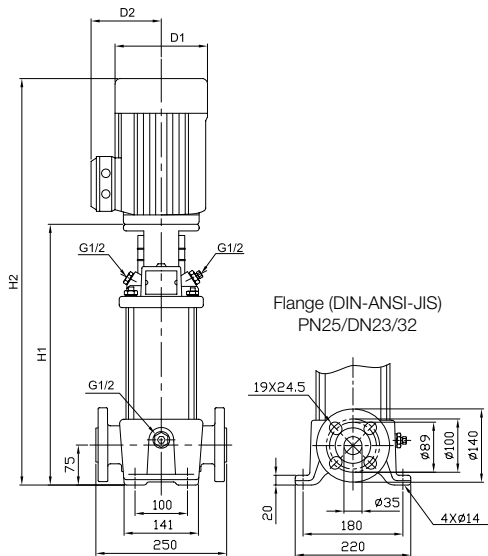
Weights are indicative only and may change with different motor make & type.

Model	Motor	NVI, NVN							
		Dimension [mm]						Net weight [kg]	
	P ₂ [kW]	Victaulic		DIN flange		D1	D2	Victaulic	DIN flange
		H1	H2	H1	H2				
NVI, NVN 1-2	0.37	257	448	282	473	141	109	16	20
NVI, NVN 1-3	0.37	257	448	282	473	141	109	16	21
NVI, NVN 1-4	0.37	275	466	300	491	141	109	17	21
NVI, NVN 1-5	0.37	293	484	318	509	141	109	17	21
NVI, NVN 1-6	0.37	311	502	336	527	141	109	18	22
NVI, NVN 1-7	0.37	329	520	354	545	141	109	18	22
NVI, NVN 1-8	0.55	347	538	372	563	141	109	19	23
NVI, NVN 1-9	0.55	365	556	390	581	141	109	20	24
NVI, NVN 1-10	0.55	383	574	408	599	141	109	20	24
NVI, NVN 1-11	0.55	401	592	426	617	141	109	20	24
NVI, NVN 1-12	0.75	425	656	450	681	141	109	23	27
NVI, NVN 1-13	0.75	443	674	468	699	141	109	23	28
NVI, NVN 1-15	0.75	479	710	504	735	141	109	24	28
NVI, NVN 1-17	1.1	515	746	540	771	141	109	27	31
NVI, NVN 1-19	1.1	551	782	576	807	141	109	28	32
NVI, NVN 1-21	1.1	587	818	612	843	141	109	29	33
NVI, NVN 1-23	1.1	623	854	648	879	141	109	30	34
NVI, NVN 1-25	1.5	675	950	700	975	175	140	37.5	41.0
NVI, NVN 1-27	1.5	711	986	736	1011	175	140	38.2	41.8
NVI, NVN 1-30	1.5	765	1040	790	1065	175	140	39.4	42.9
NVI, NVN 1-33	2.2	819	1094	844	1119	175	140	42.5	46.0
NVI, NVN 1-36	2.2	873	1148	898	1173	175	140	43.6	47.2

NV, NVI, NVN 3



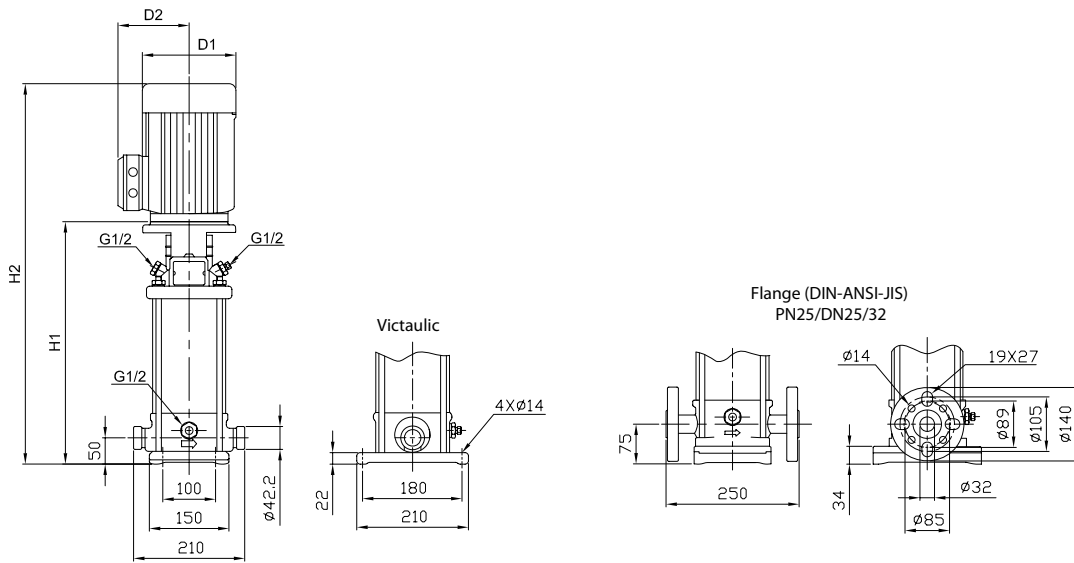
Dimensions and weights NV 3



Weights are indicative only and may change with different motor make & type.

Model	Motor P ₂ [kW]	NV				
		Dimension [mm]				Net weight [kg]
		DIN flange		D1	D2	DIN flange
		H1	H2			
NV3-2	0.37	279	470	141	109	23
NV3-3	0.37	279	470	141	109	23
NV3-4	0.37	297	488	141	109	23
NV3-5	0.37	315	506	141	109	24
NV3-6	0.55	333	524	141	109	25
NV3-7	0.55	351	542	141	109	25
NV3-8	0.75	375	606	141	109	27
NV3-9	0.75	393	624	141	109	28
NV3-10	0.75	411	642	141	109	28
NV3-11	1.1	429	660	141	109	31
NV3-12	1.1	447	678	141	109	31
NV3-13	1.1	465	696	141	109	31
NV3-15	1.1	501	732	141	109	32
NV3-17	1.5	553	828	175	140	39.9
NV3-19	1.5	589	864	175	140	40.7
NV3-21	2.2	625	900	175	140	43.4
NV3-23	2.2	661	936	175	140	44.2
NV3-25	2.2	697	972	175	140	44.9
NV3-27	2.2	733	1008	175	140	45.7
NV3-29	2.2	769	1044	175	140	46.4
NV3-31	3	809	1129	196	148	53.9
NV3-33	3	845	1165	196	148	54.7
NV3-36	3	899	1219	196	148	55.8

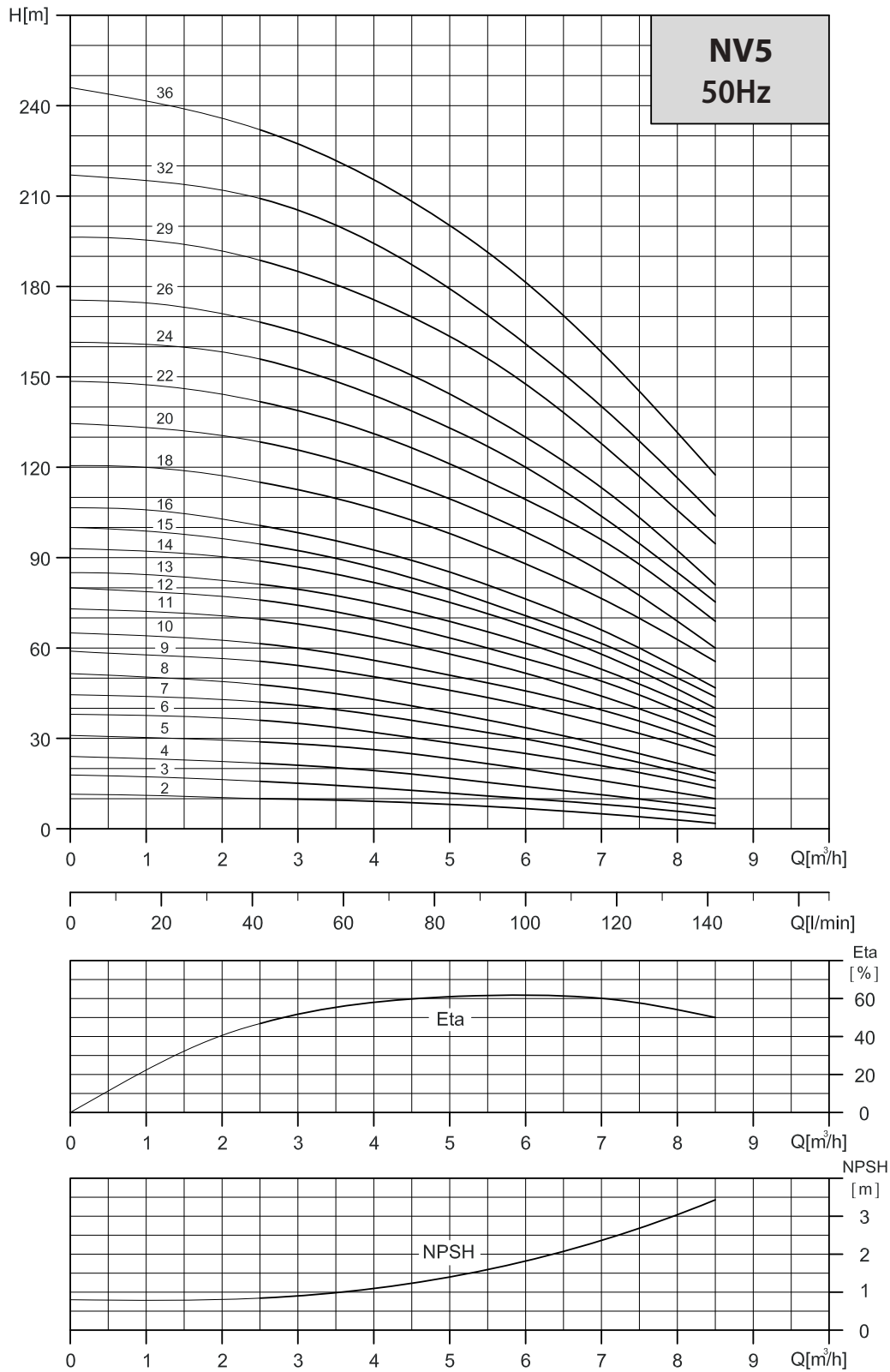
Dimensions and weights NVI, NVN 3



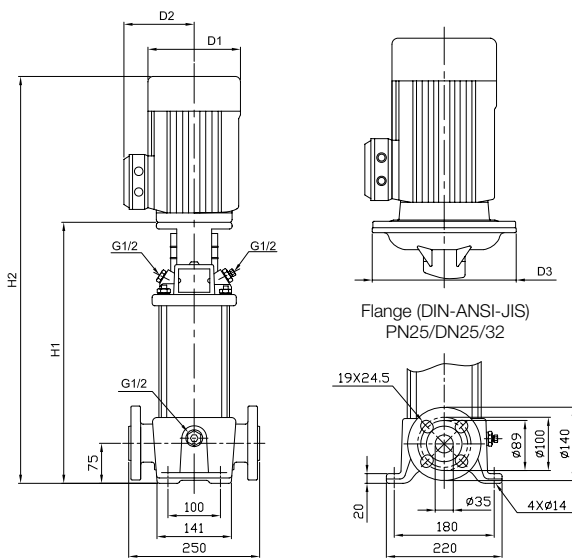
Weights are indicative only and may change with different motor make & type.

Model	Motor	NVI, NVN							
		Dimension [mm]						Net weight [kg]	
	P ₂ [kW]	Victaulic		DIN flange		D1	D2	Victaulic	DIN flange
		H1	H2	H1	H2				
NVI, NVN 3-2	0.37	257	448	282	473	141	109	16	19
NVI, NVN 3-3	0.37	257	448	282	473	141	109	16	19
NVI, NVN 3-4	0.37	275	466	300	491	141	109	17	19
NVI, NVN 3-5	0.37	293	484	318	509	141	109	17	20
NVI, NVN 3-6	0.55	311	502	336	527	141	109	18	21
NVI, NVN 3-7	0.55	329	520	354	545	141	109	19	21
NVI, NVN 3-8	0.75	353	584	378	609	141	109	21	24
NVI, NVN 3-9	0.75	371	602	396	627	141	109	22	24
NVI, NVN 3-10	0.75	389	620	414	645	141	109	22	25
NVI, NVN 3-11	1.1	407	638	432	663	141	109	25	27
NVI, NVN 3-12	1.1	425	656	450	681	141	109	25	28
NVI, NVN 3-13	1.1	443	674	468	699	141	109	26	28
NVI, NVN 3-15	1.1	479	710	504	735	141	109	26	29
NVI, NVN 3-17	1.5	531	806	556	831	175	140	34.5	38.1
NVI, NVN 3-19	1.5	567	842	592	867	175	140	35.3	38.8
NVI, NVN 3-21	2.2	603	878	628	903	175	140	38	41.6
NVI, NVN 3-23	2.2	639	914	664	939	175	140	38.8	42.3
NVI, NVN 3-25	2.2	675	950	700	975	175	140	39.5	43.1
NVI, NVN 3-27	2.2	711	986	736	1011	175	140	40.3	43.8
NVI, NVN 3-29	2.2	747	1022	772	1047	175	140	41	44.6
NVI, NVN 3-31	3	787	1107	812	1132	196	148	48.2	51.8
NVI, NVN 3-33	3	823	1143	848	1168	196	148	49.1	52.5
NVI, NVN 3-36	3	877	1197	902	1222	196	148	50.1	53.7

NV, NVI, NVN 5



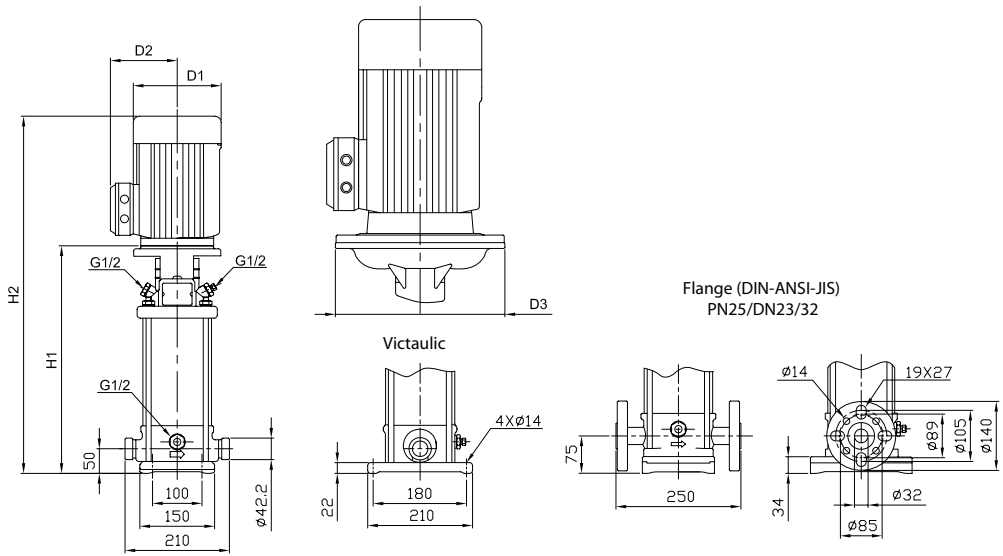
Dimensions and weights NV 5



Weights are indicative only and may change with different motor make & type.

Model	Motor P ₂ [kW]	NV					Net weight [kg] DIN flange
		Dimension [mm]		D1	D2	D3	
		H1	H2				
NV5-2	0.37	279	470	141	109	—	23
NV5-3	0.55	306	497	141	109	—	24
NV5-4	0.55	333	524	141	109	—	25
NV5-5	0.75	366	597	141	109	—	27
NV5-6	1.1	393	624	141	109	—	30
NV5-7	1.1	420	651	141	109	—	30
NV5-8	1.1	447	678	141	109	—	31
NV5-9	1.5	490	765	175	140	—	38.3
NV5-10	1.5	517	792	175	140	—	38.9
NV5-11	2.2	544	819	175	140	—	41.5
NV5-12	2.2	571	846	175	140	—	42.0
NV5-13	2.2	598	873	175	140	—	42.6
NV5-14	2.2	625	900	175	140	—	43.2
NV5-15	2.2	652	927	175	140	—	43.8
NV5-16	2.2	679	954	175	140	—	44.3
NV5-18	3	737	1057	196	148	—	52.2
NV5-20	3	791	1111	196	148	—	53.4
NV5-22	4	845	1180	219	162	—	61.5
NV5-24	4	899	1234	219	162	—	62.6
NV5-26	4	953	1288	219	162	—	63.8
NV5-29	4	1034	1369	219	162	—	65.5
NV5-32	5.5	1145	1505	234	199	300	85.9
NV5-36	5.5	1253	1613	234	199	300	88.2

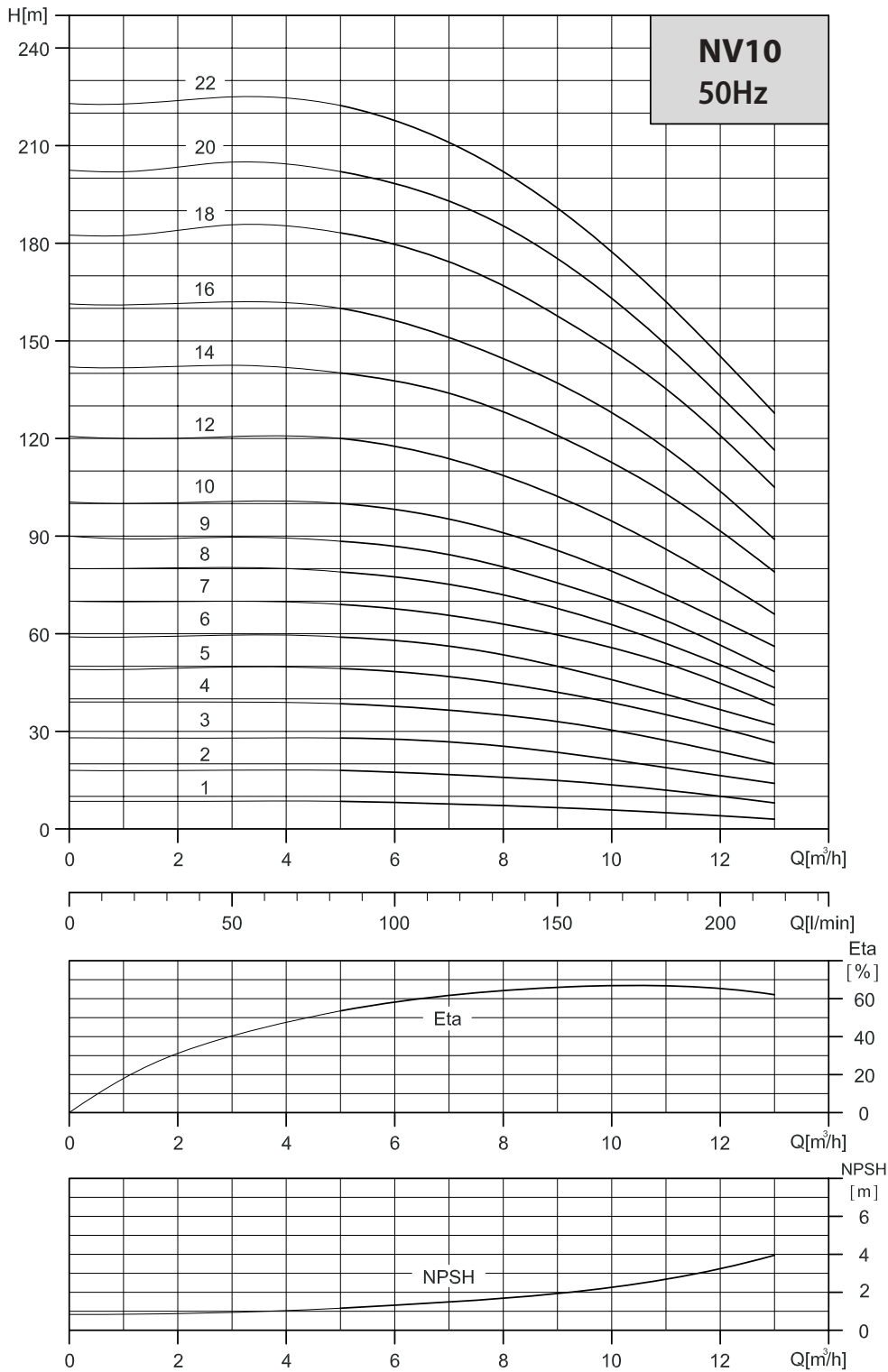
Dimensions and weights NVI, NVN 5



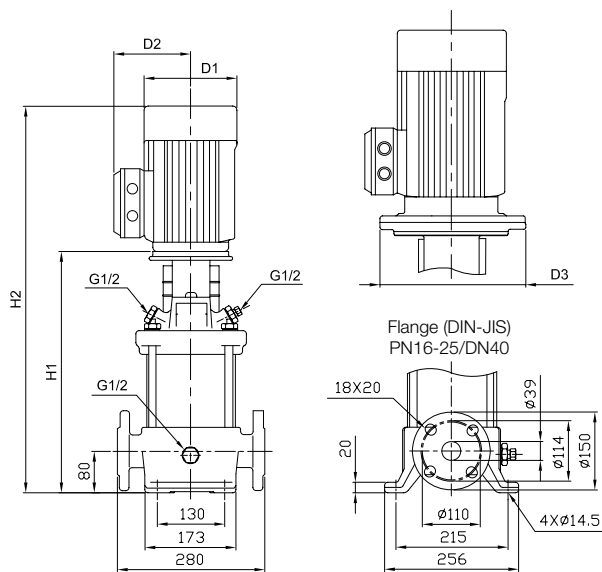
Weights are indicative only and may change with different motor make & type.

Model	Motor	NVI, NVN								
		Dimension [mm]							Net weight [kg]	
	P ₂ [kW]	Victaulic		DIN flange		D1	D2	D3	Victaulic	DIN flange
		H1	H2	H1	H2					
NVI, NVN 5-2	0.37	257	448	282	473	141	109	—	16	21
NVI, NVN 5-3	0.55	284	475	309	500	141	109	—	18	22
NVI, NVN 5-4	0.55	311	502	336	527	141	109	—	18	22
NVI, NVN 5-5	0.75	344	575	369	600	141	109	—	21	25
NVI, NVN 5-6	1.1	371	602	396	627	141	109	—	24	28
NVI, NVN 5-7	1.1	398	629	423	654	141	109	—	24	28
NVI, NVN 5-8	1.1	425	656	450	681	141	109	—	25	29
NVI, NVN 5-9	1.5	468	743	493	768	175	140	—	32.5	36.5
NVI, NVN 5-10	1.5	495	770	520	795	175	140	—	33.5	37.1
NVI, NVN 5-11	2.2	522	797	547	822	175	140	—	36.1	39.6
NVI, NVN 5-12	2.2	549	824	574	849	175	140	—	36.7	40.2
NVI, NVN 5-13	2.2	576	851	601	876	175	140	—	37.2	40.8
NVI, NVN 5-14	2.2	603	878	628	903	175	140	—	37.8	41.3
NVI, NVN 5-15	2.2	630	905	655	930	175	140	—	38.4	41.9
NVI, NVN 5-16	2.2	657	932	682	957	175	140	—	39.0	42.5
NVI, NVN 5-18	3	715	1035	740	1060	196	148	—	46.5	50.1
NVI, NVN 5-20	3	769	1089	794	1114	196	148	—	47.7	51.2
NVI, NVN 5-22	4	823	1158	848	1183	219	162	—	55.8	59.4
NVI, NVN 5-24	4	877	1212	902	1237	219	162	—	57.0	60.5
NVI, NVN 5-26	4	931	1266	956	1291	219	162	—	58.1	61.6
NVI, NVN 5-29	4	1012	1347	1037	1372	219	162	—	59.8	63.4
NVI, NVN 5-32	5.5	1123	1483	1148	1508	234	199	300	80.2	83.7
NVI, NVN 5-36	5.5	1231	1591	1256	1616	234	199	300	82.5	86.0

NV, NVI, NVN 10



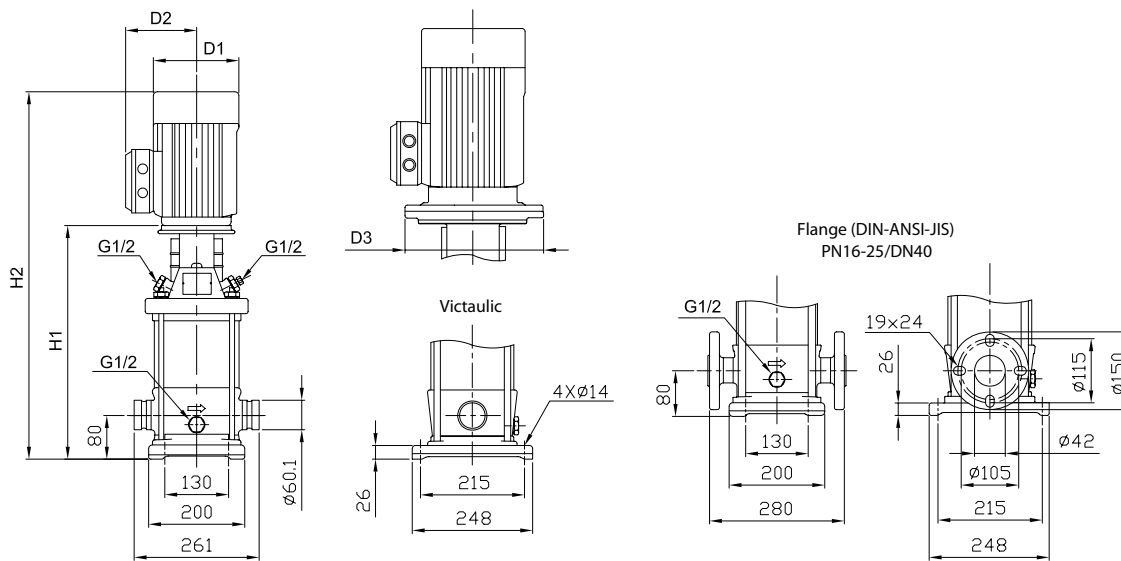
Dimensions and weights NV 10



Weights are indicative only and may change with different motor make & type.

Model	Motor	NV					
		Dimension [mm]					Net weight [kg]
	P ₂ [kW]	DIN flange		D1	D2	D3	DIN flange
		H1	H2				
NV10-1	0.37	343	534	141	109	—	34
NV10-2	0.75	347	578	141	109	—	36
NV10-3	1.1	377	608	141	109	—	39
NV10-4	1.5	423	698	175	140	—	48.2
NV10-5	2.2	453	728	175	140	—	51.2
NV10-6	2.2	483	758	175	140	—	52.2
NV10-7	3	518	838	196	148	—	60.5
NV10-8	3	548	868	196	148	—	51.5
NV10-9	3	578	898	196	148	—	62.5
NV10-10	4	608	943	219	162	—	70.5
NV10-12	4	668	1003	219	162	—	72.6
NV10-14	5.5	760	1120	234	199	300	98.5
NV10-16	5.5	820	1180	234	199	300	100.5
NV15-18	7.5	880	1280	234	199	300	111.6
NV10-20	7.5	940	1340	234	199	300	113.6
NV10-22	7.5	1000	1400	234	199	300	115.7

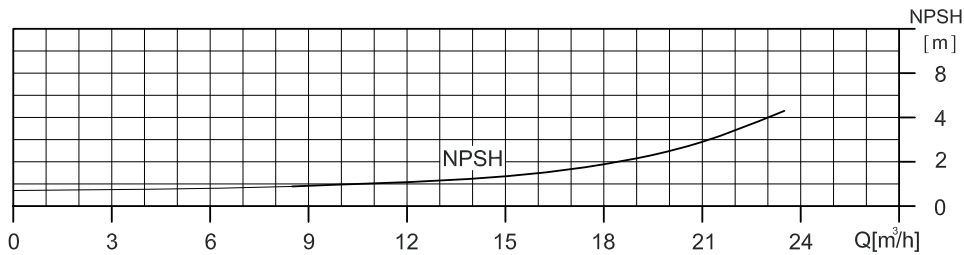
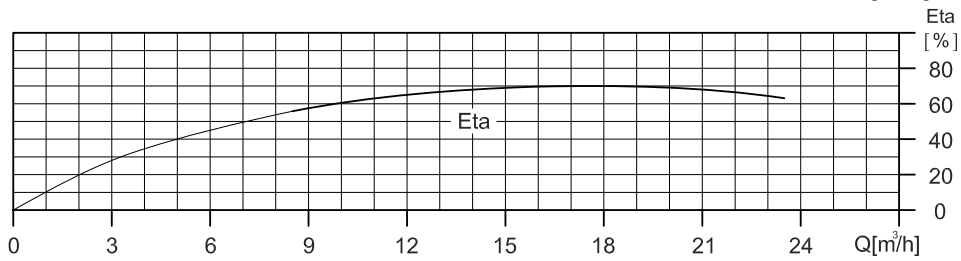
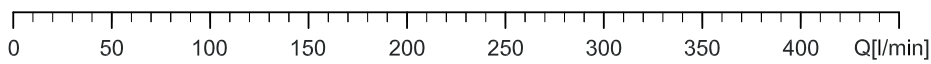
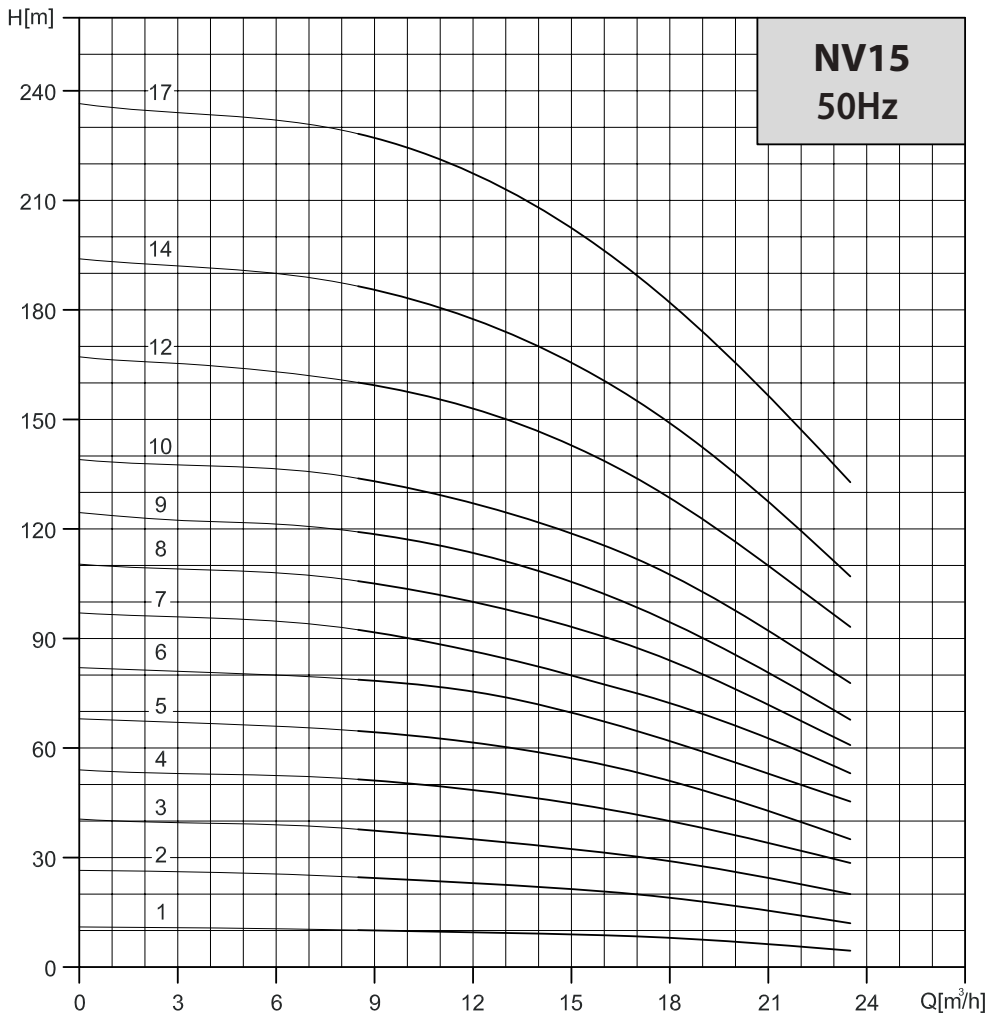
Dimensions and weights NVI, NVN 10



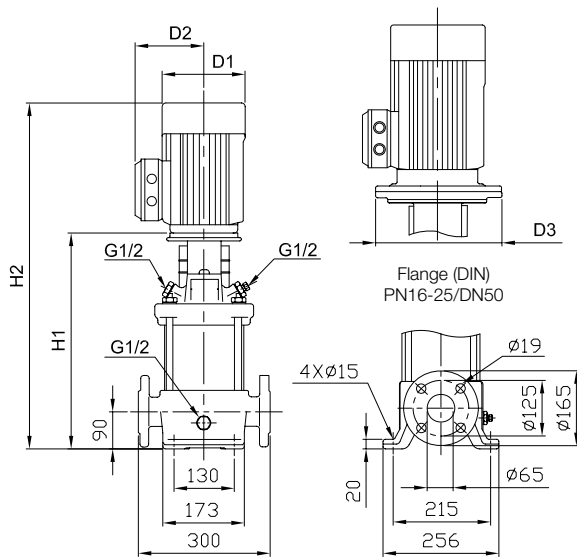
Weights are indicative only and may change with different motor make & type.

Model	Motor	NVI, NVN								
		Dimension [mm]							Net weight [kg]	
	P ₂ [kW]	Victaulic		DIN flange		D1	D2	D3	Victaulic	DIN flange
		H1	H2	H1	H2					
NVI, NVN 10-1	0.37	353	544	353	544	141	109	—	28	32
NVI, NVN 10-2	0.75	357	588	357	588	141	109	—	31	34
NVI, NVN 10-3	1.1	387	618	387	618	141	109	—	34	38
NVI, NVN 10-4	1.5	433	708	433	708	175	140	—	43.6	47.1
NVI, NVN 10-5	2.2	463	738	463	738	175	140	—	46.6	50.1
NVI, NVN 10-6	2.2	493	768	493	768	175	140	—	47.6	51.1
NVI, NVN 10-7	3	528	848	528	848	196	148	—	54.4	57.9
NVI, NVN 10-8	3	558	878	558	878	196	148	—	55.4	59.0
NVI, NVN 10-9	3	588	908	588	908	196	148	—	56.5	60.0
NVI, NVN 10-10	4	618	953	618	953	219	162	—	64.5	68.0
NVI, NVN 10-12	4	678	1013	678	1013	219	162	—	66.5	70.0
NVI, NVN 10-14	5.5	770	1130	770	1130	234	199	300	93.4	96.9
NVI, NVN 10-16	5.5	830	1190	830	1190	234	199	300	95.4	99.0
NVI, NVN 10-18	7.5	890	1290	890	1290	234	199	300	106.5	110.0
NVI, NVN 10-20	7.5	950	1350	950	1350	234	199	300	108.5	112.0
NVI, NVN 10-22	7.5	1010	1410	1010	1410	234	199	300	110.6	114.1

NV, NVI, NVN 15



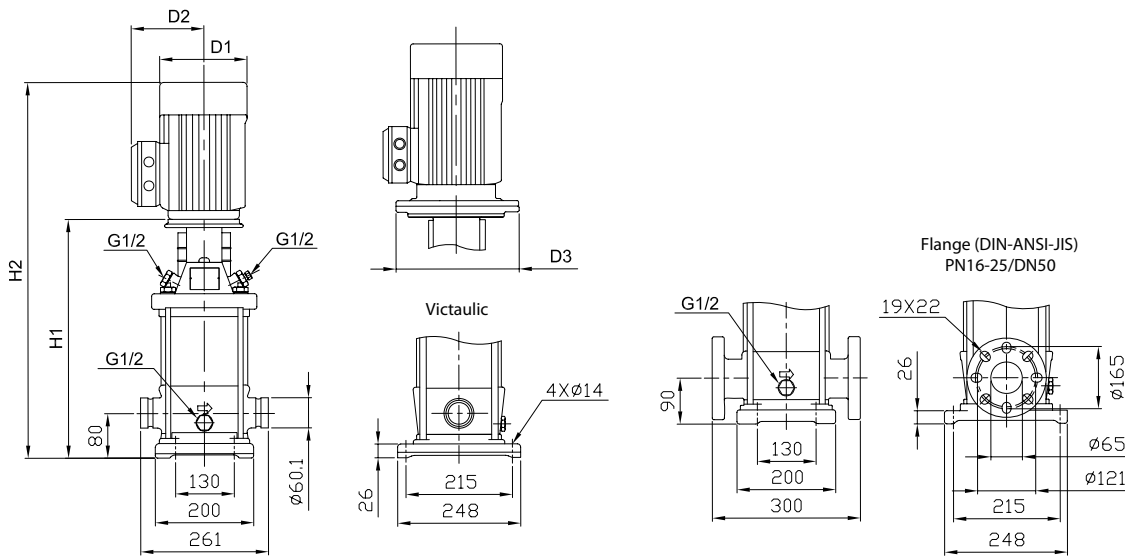
Dimensions and weights NV 15



Weights are indicative only and may change with different motor make & type.

Model	Motor	NV					
		Dimension [mm]					Net weight [kg]
	P ₂ [kW]	DIN flange		D1	D2	D3	DIN flange
		H1	H2				
NV15-1	1.1	400	631	141	109	—	42
NV15-2	2.2	415	690	175	140	—	52.6
NV15-3	3	465	785	196	148	—	61.3
NV15-4	4	510	845	219	162	—	69.7
NV15-5	4	555	890	219	162	—	71.7
NV15-6	5.5	632	992	234	199	300	96.3
NV15-7	5.5	677	1037	234	199	300	97.7
NV15-8	7.5	722	1122	234	199	300	108.1
NV15-9	7.5	767	1167	234	199	300	109.5
NV15-10	11	889	1334	268	215	350	140.6
NV15-12	11	979	1424	268	215	350	143.4
NV15-14	11	1069	1514	268	215	350	146.2
NV15-17	15	1204	1693	268	215	350	161.4

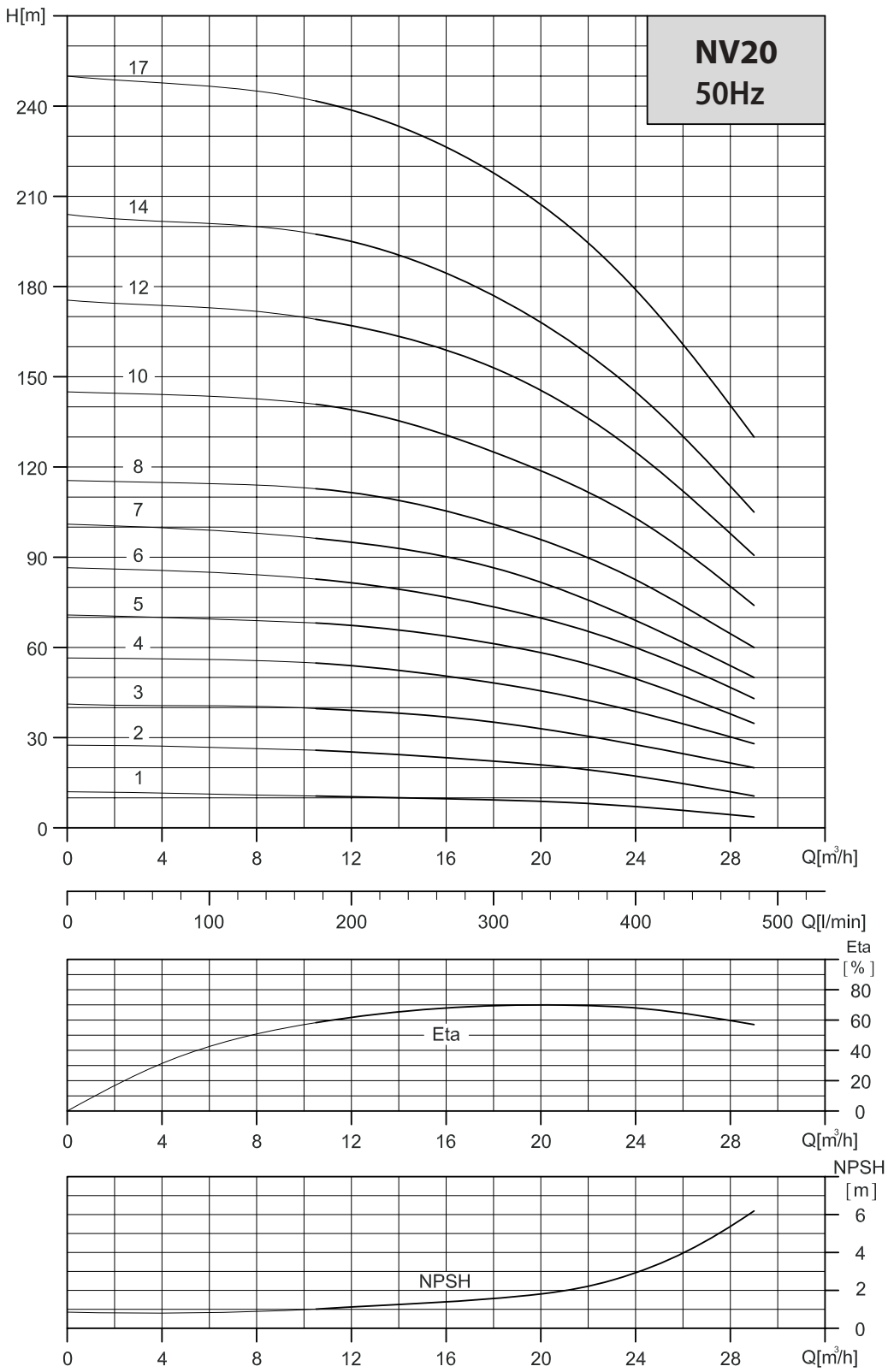
Dimensions and weights NVI, NVN 15



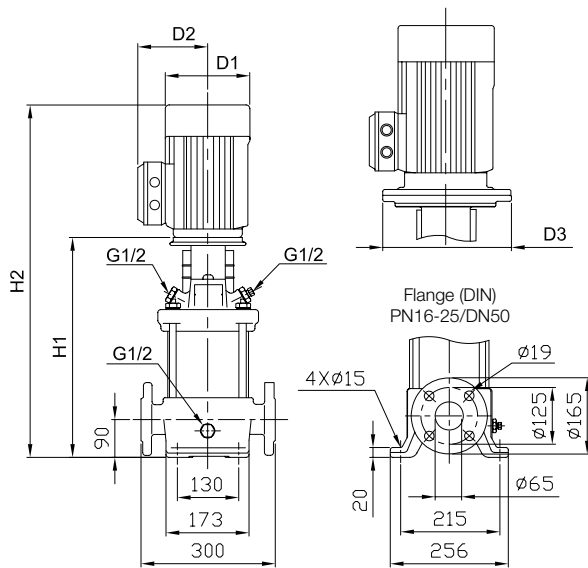
Weights are indicative only and may change with different motor make & type.

Model	Motor P ₂ [kW]	NVI, NVN								
		Dimension [mm]							Net weight [kg]	
		Victaulic		DIN flange		D1	D2	D3	Victaulic	DIN flange
		H1	H2	H1	H2					
NVI, NVN 15-1	1.1	387	618	397	628	141	109	—	34	42
NVI, NVN 15-2	2.2	403	678	413	688	175	140	—	44.3	48.8
NVI, NVN 15-3	3	453	773	463	783	196	148	—	51.5	56.0
NVI, NVN 15-4	4	498	833	508	843	219	162	—	59.9	64.4
NVI, NVN 15-5	4	543	878	553	888	219	162	—	61.3	65.8
NVI, NVN 15-6	5.5	620	980	630	990	234	199	300	87.6	92.1
NVI, NVN 15-7	5.5	665	1025	675	1035	234	199	300	89.0	93.5
NVI, NVN 15-8	7.5	710	1110	720	1120	234	199	300	99.4	103.9
NVI, NVN 15-9	7.5	755	1155	765	1165	234	199	300	100.8	105.3
NVI, NVN 15-10	11	877	1322	887	1332	268	215	350	132.4	136.9
NVI, NVN 15-12	11	967	1412	977	1422	268	215	350	135.2	139.7
NVI, NVN 15-14	11	1057	1502	1067	1512	268	215	350	138.0	142.5
NVI, NVN 15-17	15	1192	1681	1202	1691	268	215	350	153.2	157.7

NV, NVI, NVN 20



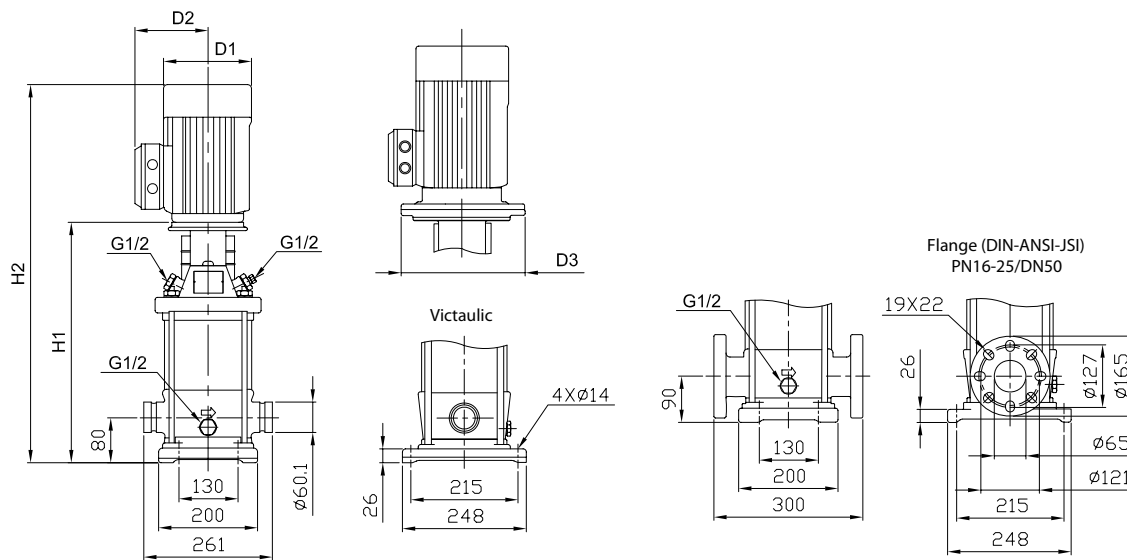
Dimensions and weights NV 20



Weights are indicative only and may change with different motor make & type.

Model	Motor	NV					
		Dimension [mm]					Net weight [kg]
	P ₂ [kW]	DIN flange		D1	D2	D3	DIN flange
		H1	H2				
NV20-1	1.1	400	631	141	109	—	42
NV20-2	2.2	415	690	175	140	—	52.7
NV20-3	4	465	800	219	162	—	68.4
NV20-4	5.5	542	902	234	199	300	93.6
NV20-5	5.5	587	947	234	199	300	95.0
NV20-6	7.5	632	1032	234	199	300	105.4
NV20-7	7.5	677	1077	234	199	300	106.8
NV20-8	11	799	1244	268	215	350	137.9
NV20-10	11	889	1334	268	215	350	140.7
NV20-12	15	979	1468	268	215	350	154.5
NV20-14	15	1069	1558	268	215	350	157.3
NV20-17	18.5	1204	1739	317	242	400	196.4

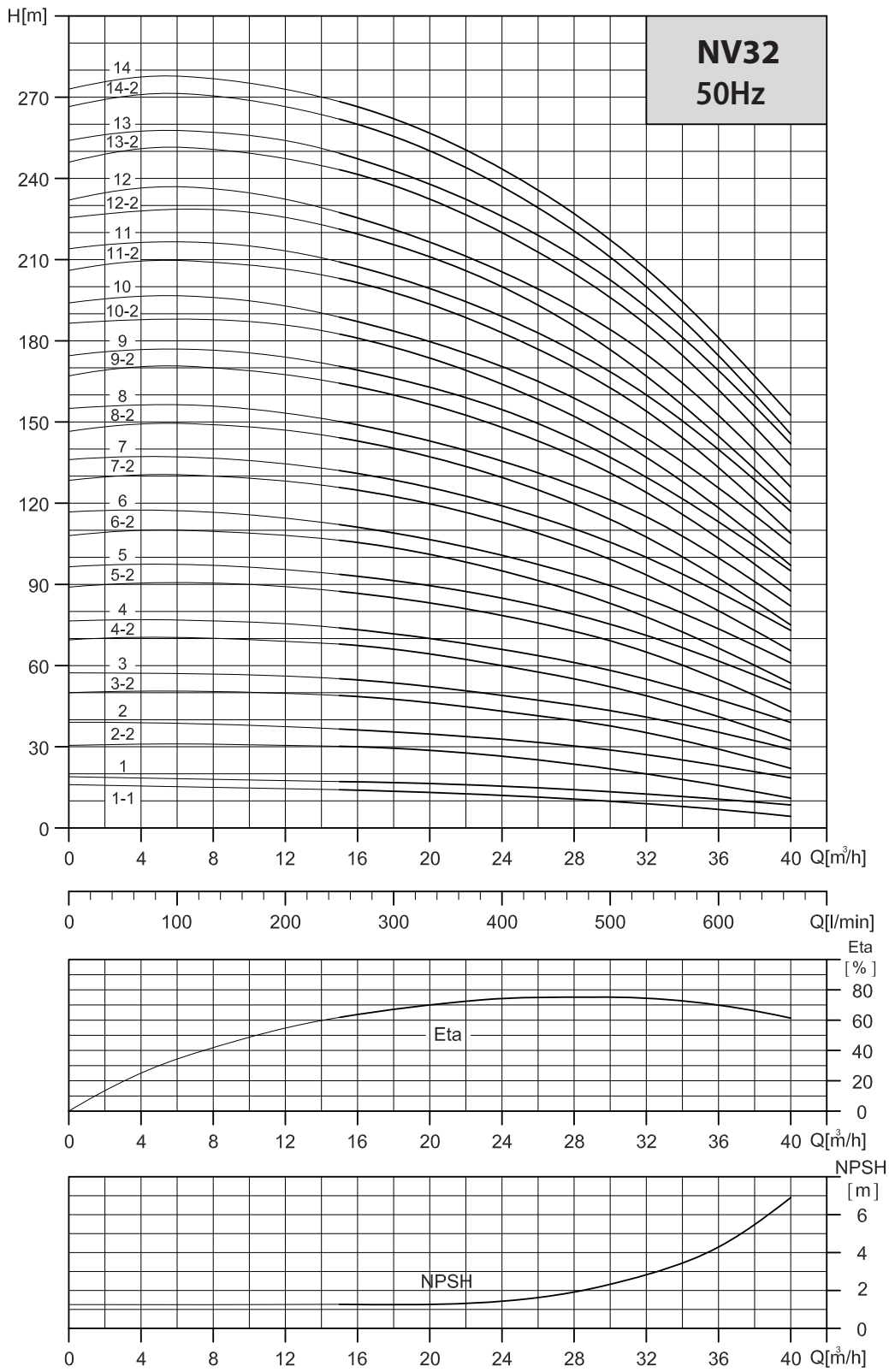
Dimensions and weights NVI, NVN 20



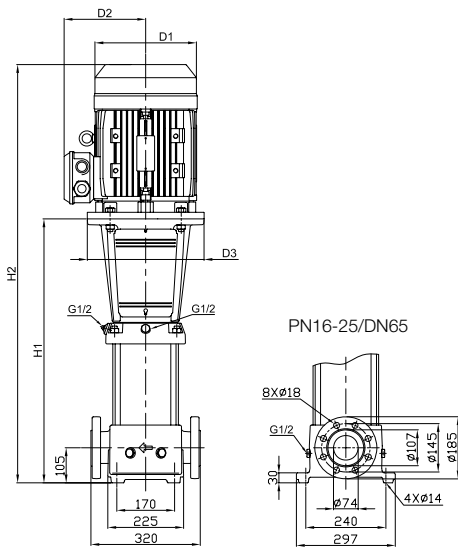
Weights are indicative only and may change with different motor make & type.

Model	Motor	NVI, NVN									
		Dimension [mm]							Net weight [kg]		
		P ₂ [kW]	Victaulic		DIN flange		D1	D2	D3	Victaulic	DIN flange
			H1	H2	H1	H2					
NVI, NVN 20-1	1.1	387	618	397	628	141	109	—	34	39	
NVI, NVN 20-2	2.2	403	678	413	688	175	140	—	44.3	48.8	
NVI, NVN 20-3	4	453	788	463	798	219	162	—	58.5	63.0	
NVI, NVN 20-4	5.5	530	890	540	900	234	199	300	84.8	89.3	
NVI, NVN 20-5	5.5	575	935	585	945	234	199	300	86.2	90.7	
NVI, NVN 20-6	7.5	620	1020	630	1030	234	199	300	96.6	101.1	
NVI, NVN 20-7	7.5	665	1065	675	1075	234	199	300	98.0	102.5	
NVI, NVN 20-8	11	787	1232	797	1242	265	215	350	129.6	134.1	
NVI, NVN 20-10	11	877	1322	887	1332	265	215	350	132.4	136.9	
NVI, NVN 20-12	15	967	1456	977	1466	265	215	350	146.2	150.7	
NVI, NVN 20-14	15	1057	1546	1067	1556	265	215	350	149.0	153.5	
NVI, NVN 20-17	18.5	1192	1727	1202	1737	317	242	400	188.2	192.7	

NV, NVI, NVN 32



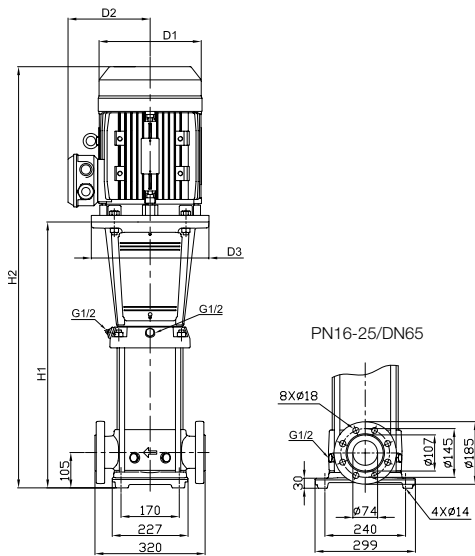
Dimensions and weights NV 32



Weights are indicative only and may change with different motor make & type.

Model	Motor	NV						
		Dimension [mm]					Net weight [kg]	
		P ₂ [kW]	DIN flange		D1	D2	D3	DIN flange
			H1	H2				
NV 32-1-1	1.5	504	779	175	140	—	69.5	
NV 32-1	2.2	504	779	175	140	—	71.5	
NV 32-2-2	3.0	574	894	196	148	—	80.5	
NV 32-2	4.0	574	909	219	162	—	87.5	
NV 32-3-2	5.5	644	1004	234	199	300	104.4	
NV 32-3	5.5	644	1004	234	199	300	104.4	
NV 32-4-2	7.5	714	1114	234	199	300	116.4	
NV 32-4	7.5	714	1114	234	199	300	116.4	
NV 32-5-2	11.0	894	1339	268	215	350	153.0	
NV 32-5	11.0	894	1339	268	215	350	153.0	
NV 32-6-2	11.0	964	1409	268	215	350	156.0	
NV 32-6	11.0	964	1409	268	215	350	156.0	
NV 32-7-2	15.0	1034	1523	268	215	350	170	
NV 32-7	15.0	1034	1523	268	215	350	170	
NV 32-8-2	15.0	1104	1593	268	215	350	173	
NV 32-8	15.0	1104	1593	268	215	350	173	
NV 32-9-2	18.5	1174	1709	317	242	400	211	
NV 32-9	18.5	1174	1709	317	242	400	211	
NV 32-10-2	18.5	1244	1779	317	242	400	213	
NV 32-10	18.5	1244	1779	317	242	400	214	
NV 32-11-2	22.0	1314	1893	317	242	400	227	
NV 32-11	22.0	1314	1893	317	242	400	227	
NV 32-12-2	22.0	1384	1963	317	242	400	229	
NV 32-12	22.0	1384	1963	317	242	400	229	
NV 32-13-2	30.0	1454	2077	317	290	400	317	
NV 32-13	30.0	1454	2077	317	290	400	317	
NV 32-14-2	30.0	1524	2147	317	290	400	320	
NV 32-14	30.0	1524	2147	317	290	400	320	

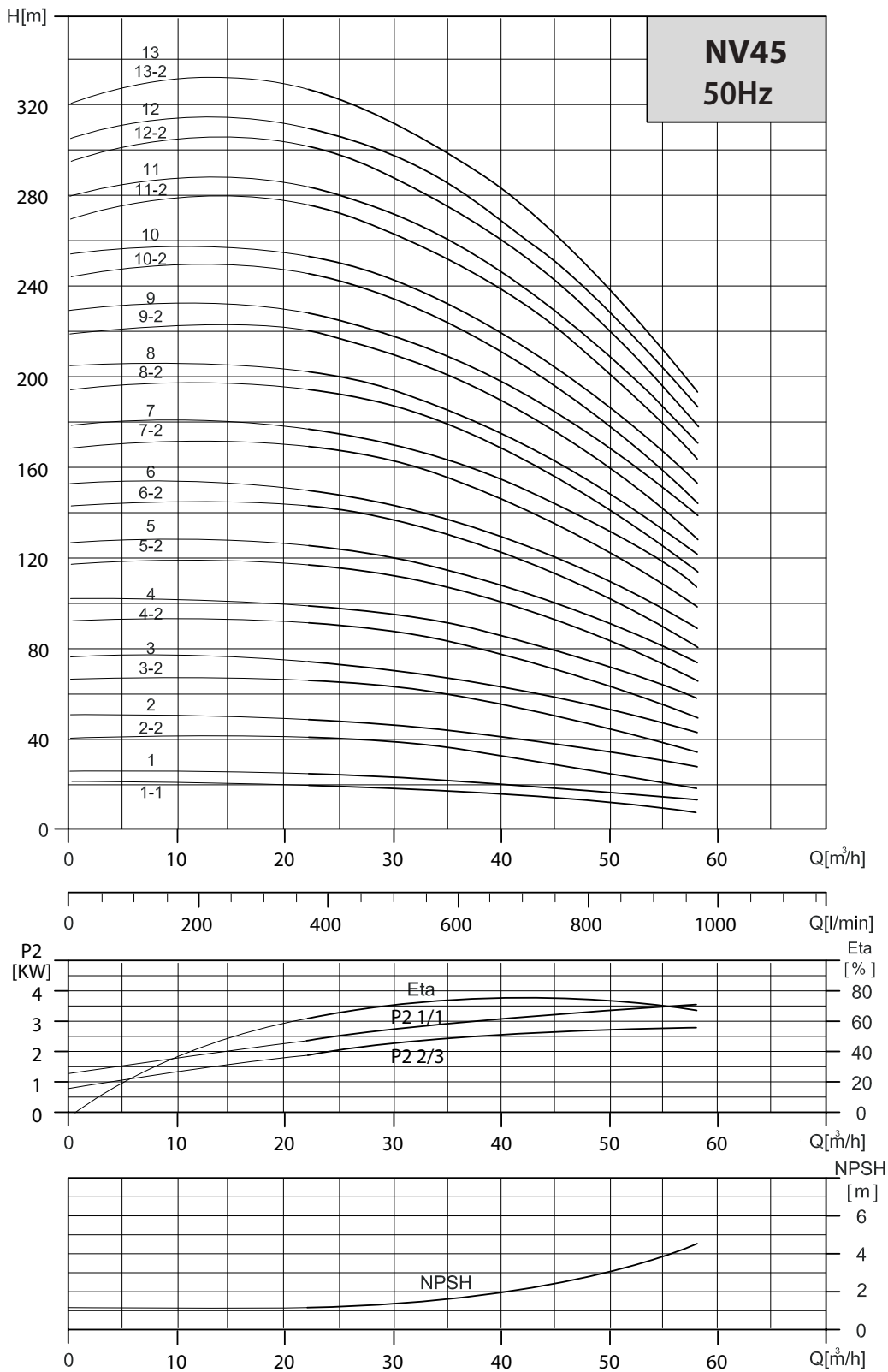
Dimensions and weights NVI, NVN 32



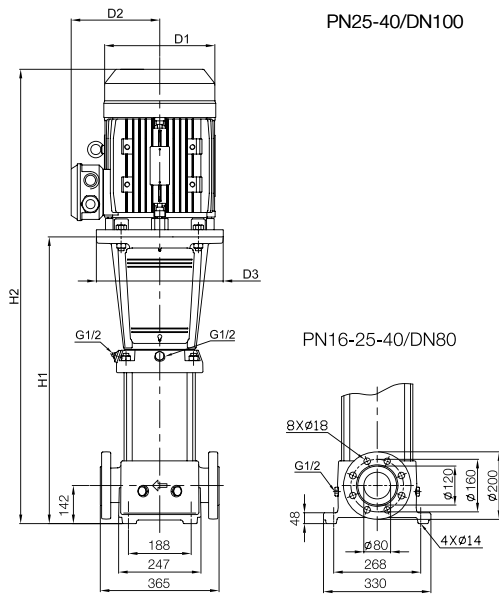
Weights are indicative only and may change with different motor make & type.

Model	Motor	NVI, NVN					
		Dimension [mm]					Net weight [kg]
		P ₂ [kW]	DIN flange		D1	D2	D3
	H1	H2					
NVI, NVN 32-1-1	1.5	504	779	175	140	—	64.6
NVI, NVN 32-1	2.2	504	779	175	140	—	66.7
NVI, NVN 32-2-2	3.0	574	894	196	148	—	75.6
NVI, NVN 32-2	4.0	574	909	219	162	—	82.6
NVI, NVN 32-3-2	5.5	644	1004	234	199	300	99.5
NVI, NVN 32-3	5.5	644	1004	234	199	300	99.5
NVI, NVN 32-4-2	7.5	714	1114	234	199	300	111.5
NVI, NVN 32-4	7.5	714	1114	234	199	300	111.6
NVI, NVN 32-5-2	11.0	894	1294	268	215	350	148.1
NVI, NVN 32-5	11.0	894	1294	268	215	350	148.2
NVI, NVN 32-6-2	11.0	964	1409	268	215	350	151.1
NVI, NVN 32-6	11.0	964	1409	268	215	350	151.2
NVI, NVN 32-7-2	15.0	1034	1523	268	215	350	165.2
NVI, NVN 32-7	15.0	1034	1523	268	215	350	165.2
NVI, NVN 32-8-2	15.0	1104	1593	268	215	350	168.4
NVI, NVN 32-8	15.0	1104	1593	268	215	350	168.4
NVI, NVN 32-9-2	18.5	1174	1709	317	242	400	206.0
NVI, NVN 32-9	18.5	1174	1709	317	242	400	206.1
NVI, NVN 32-10-2	18.5	1244	1779	317	242	400	208.6
NVI, NVN 32-10	18.5	1244	1779	317	242	400	208.7
NVI, NVN 32-11-2	22.0	1314	1893	317	242	400	222.0
NVI, NVN 32-11	22.0	1314	1893	317	242	400	222.0
NVI, NVN 32-12-2	22.0	1384	1963	317	242	400	224.6
NVI, NVN 32-12	22.0	1384	1963	317	242	400	224.6
NVI, NVN 32-13-2	30.0	1454	2077	317	290	400	312.5
NVI, NVN 32-13	30.0	1454	2077	317	290	400	312.5
NVI, NVN 32-14-2	30.0	1524	2147	317	290	400	315.1
NVI, NVN 32-14	30.0	1524	2147	317	290	400	315.1

NV, NVI, NVN 45



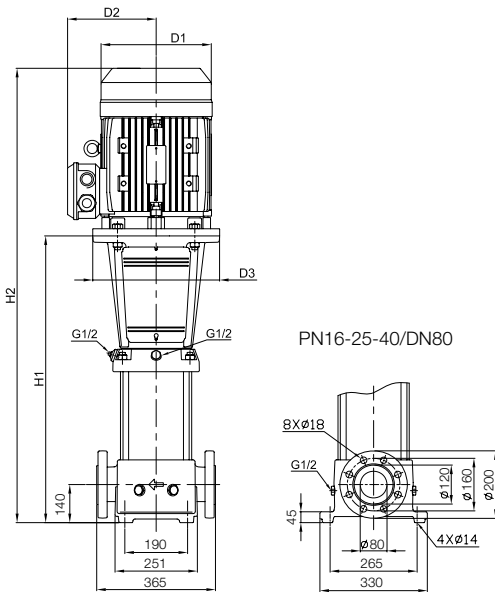
Dimensions and Weights NV 45



Weights are indicative only and may change with different motor make & type.

Model	Motor	NV					Net weight [kg]	
		Dimension [mm]						
		DIN flange		D1	D2	D3		DIN flange
		P ₂	H1					
[kW]								
NV 45-1-1	3.0	561	881	196	148	280	87.8	
NV 45-1	4.0	561	896	219	162	280	94.8	
NV 45-2-2	5.5	641	1001	234	199	300	112.3	
NV 45-2	7.5	641	1041	234	199	300	121.4	
NV 45-3-2	11.0	831	1276	268	215	350	158.6	
NV 45-3	11.0	831	1276	268	215	350	158.6	
NV 45-4-2	15.0	911	1400	268	215	350	173.3	
NV 45-4	15.0	911	1400	268	215	350	173.3	
NV 45-5-2	18.5	991	1526	317	242	350	211.9	
NV 45-5	18.5	991	1526	317	242	350	211.9	
NV 45-6-2	22.0	1071	1650	317	242	350	226.4	
NV 45-6	22.0	1071	1650	317	242	350	226.4	
NV 45-7-2	30.0	1151	1774	317	290	400	315.3	
NV 45-7	30.0	1151	1774	317	290	400	315.3	
NV 45-8-2	30.0	1231	1854	317	290	400	318.9	
NV 45-8	30.0	1231	1854	317	290	400	319.0	
NV 45-9-2	30.0	1311	1934	317	290	400	322.6	
NV 45-9	37.0	1311	2036	398	365	400	391.6	
NV 45-10-2	37.0	1391	2116	398	365	400	395.2	
NV 45-10	37.0	1391	2116	398	365	400	395.2	
NV 45-11-2	45.0	1471	2196	398	365	450	426.8	
NV 45-11	45.0	1471	2196	398	365	450	426.8	
NV 45-12-2	45.0	1551	2276	398	365	450	430.4	
NV 45-12	45.0	1551	2276	398	365	450	430.4	
NV 45-13-2	45.0	1631	2356	398	365	450	434.0	

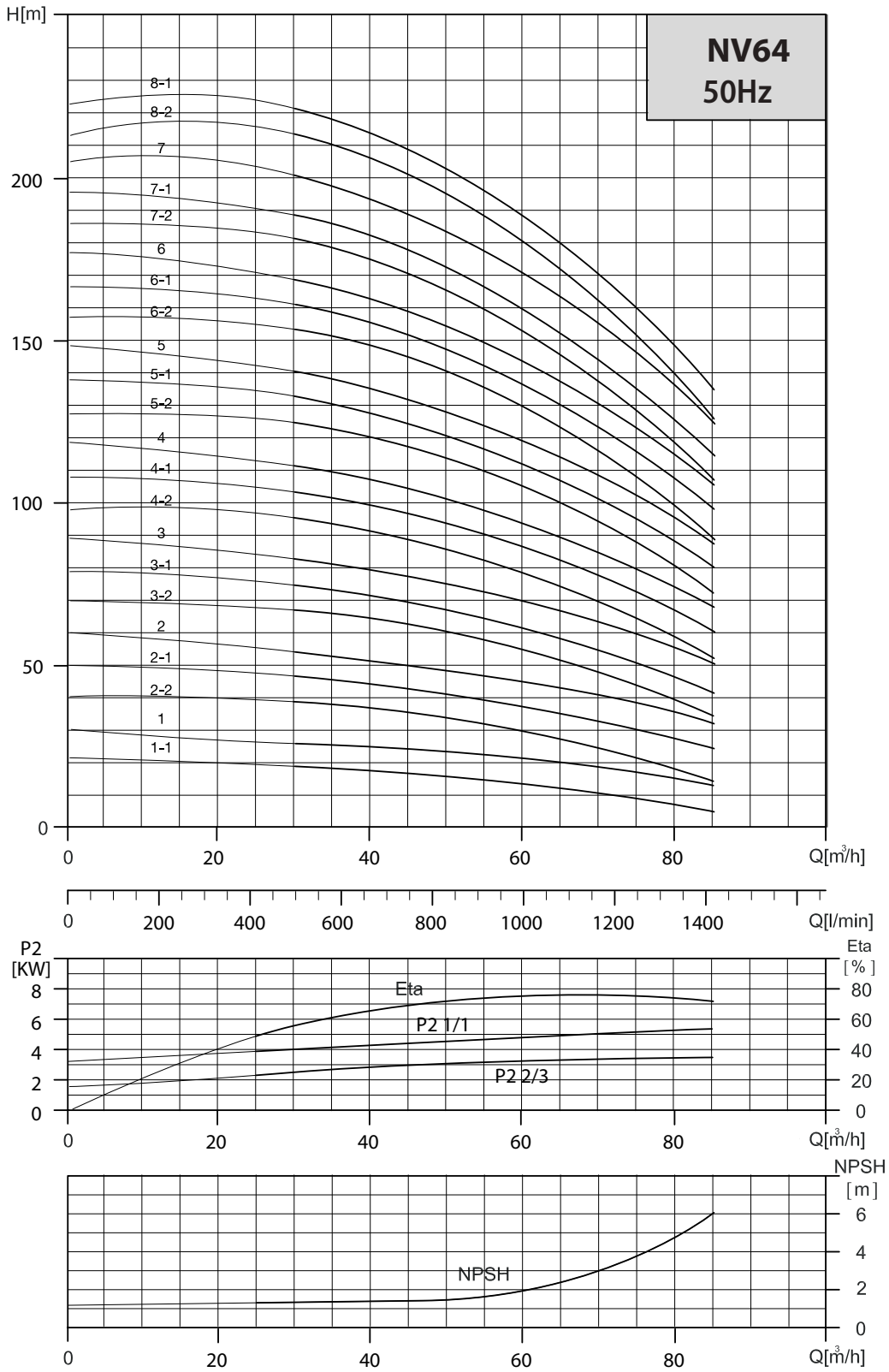
Dimensions and weights NVI, NVN 45



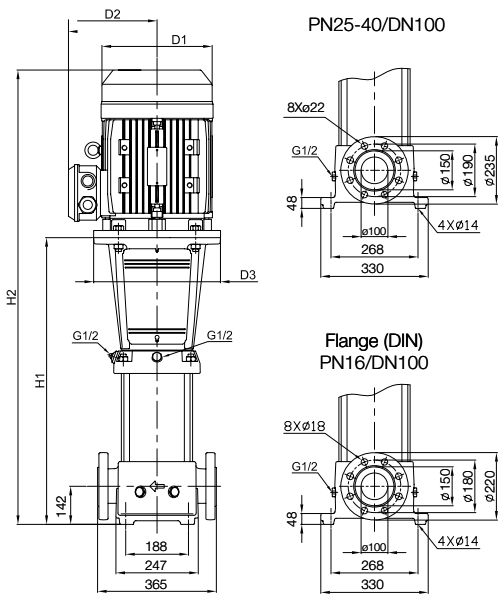
Weights are indicative only and may change with different motor make & type.

Model	Motor P ₂ [kW]	NVI, NVN					Net weight [kg]	
		Dimension [mm]			D1	D2		D3
		DIN flange		DIN flange				
H1	H2							
NVI, NVN 45-1-1	3.0	559	879	196	148	280	79.3	
NVI, NVN 45-1	4.0	559	894	219	162	280	86.3	
NVI, NVN 45-2-2	5.5	639	999	234	199	300	103.8	
NVI, NVN 45-2	7.5	639	1039	234	199	300	112.8	
NVI, NVN 45-3-2	11.0	829	1274	268	215	350	150.0	
NVI, NVN 45-3	11.0	829	1274	268	215	350	150.1	
NVI, NVN 45-4-2	15.0	909	1398	268	215	350	164.7	
NVI, NVN 45-4	15.0	909	1398	268	215	350	164.7	
NVI, NVN 45-5-2	18.5	989	1524	317	242	350	203.4	
NVI, NVN 45-5	18.5	989	1524	317	242	350	203.4	
NVI, NVN 45-6-2	22.0	1069	1648	317	242	350	217.8	
NVI, NVN 45-6	22.0	1069	1648	317	242	350	217.8	
NVI, NVN 45-7-2	30.0	1149	1772	317	290	400	306.7	
NVI, NVN 45-7	30.0	1149	1772	317	290	400	306.7	
NVI, NVN 45-8-2	30.0	1229	1852	317	290	400	310.4	
NVI, NVN 45-8	30.0	1229	1852	317	290	400	310.4	
NVI, NVN 45-9-2	30.0	1309	1932	317	290	400	314.0	
NVI, NVN 45-9	37.0	1309	2034	398	365	400	383.1	
NVI, NVN 45-10-2	37.0	1389	2114	398	365	400	386.7	
NVI, NVN 45-10	37.0	1389	2114	398	365	400	386.7	
NVI, NVN 45-11-2	45.0	1469	2194	398	365	450	418.3	
NVI, NVN 45-11	45.0	1469	2194	398	365	450	418.3	
NVI, NVN 45-12-2	45.0	1549	2274	398	365	450	421.9	
NVI, NVN 45-12	45.0	1549	2274	398	365	450	421.9	
NVI, NVN 45-13-2	45.0	1629	2354	398	365	450	425.5	

NV, NVI, NVN 64



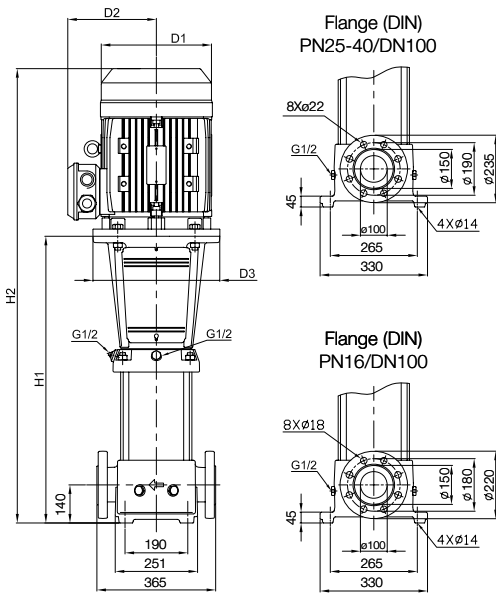
Dimensions and Weights NV 64



Weights are indicative only and may change with different motor make & type.

Model	Motor	NV					
		Dimension [mm]					Net weight [kg]
		DIN flange		D1	D2	D3	
		H1	H2				
P ₂ [kW]						DIN flange	
NV 64-1-1	4.0	563	898	219	162	280	88.76
NV 64-1	5.5	563	923	234	199	300	102.64
NV 64-2-2	7.5	646	1046	234	199	300	115.58
NV 64-2-1	11.0	756	1201	268	215	350	149.16
NV 64-2	11.0	756	1201	268	215	350	149.16
NV 64-3-2	15.0	838	1327	268	215	350	164.62
NV 64-3-1	15.0	838	1327	268	215	350	164.62
NV 64-3	18.5	838	1373	317	242	350	199.62
NV 64-4-2	18.5	921	1456	317	242	350	203.52
NV 64-4-1	22.0	921	1500	317	242	350	214.28
NV 64-4	22.0	921	1500	317	242	350	214.28
NV 64-5-2	30.0	1003	1626	317	290	400	303.43
NV 64-5-1	30.0	1003	1626	317	290	400	303.43
NV 64-5	30.0	1003	1626	317	290	400	303.43
NV 64-6-2	30.0	1086	1709	317	290	400	307.29
NV 64-6-1	37.0	1086	1811	398	365	400	376.29
NV 64-6	37.0	1086	1811	398	365	400	376.29
NV 64-7-2	37.0	1168	1893	398	365	400	380.24
NV 64-7-1	37.0	1168	1893	398	365	400	380.24
NV 64-7	45.0	1172	1897	398	365	450	408.24
NV 64-8-2	45.0	1255	1980	398	365	450	412.24
NV 64-8-1	45.0	1255	1980	398	365	450	412.24

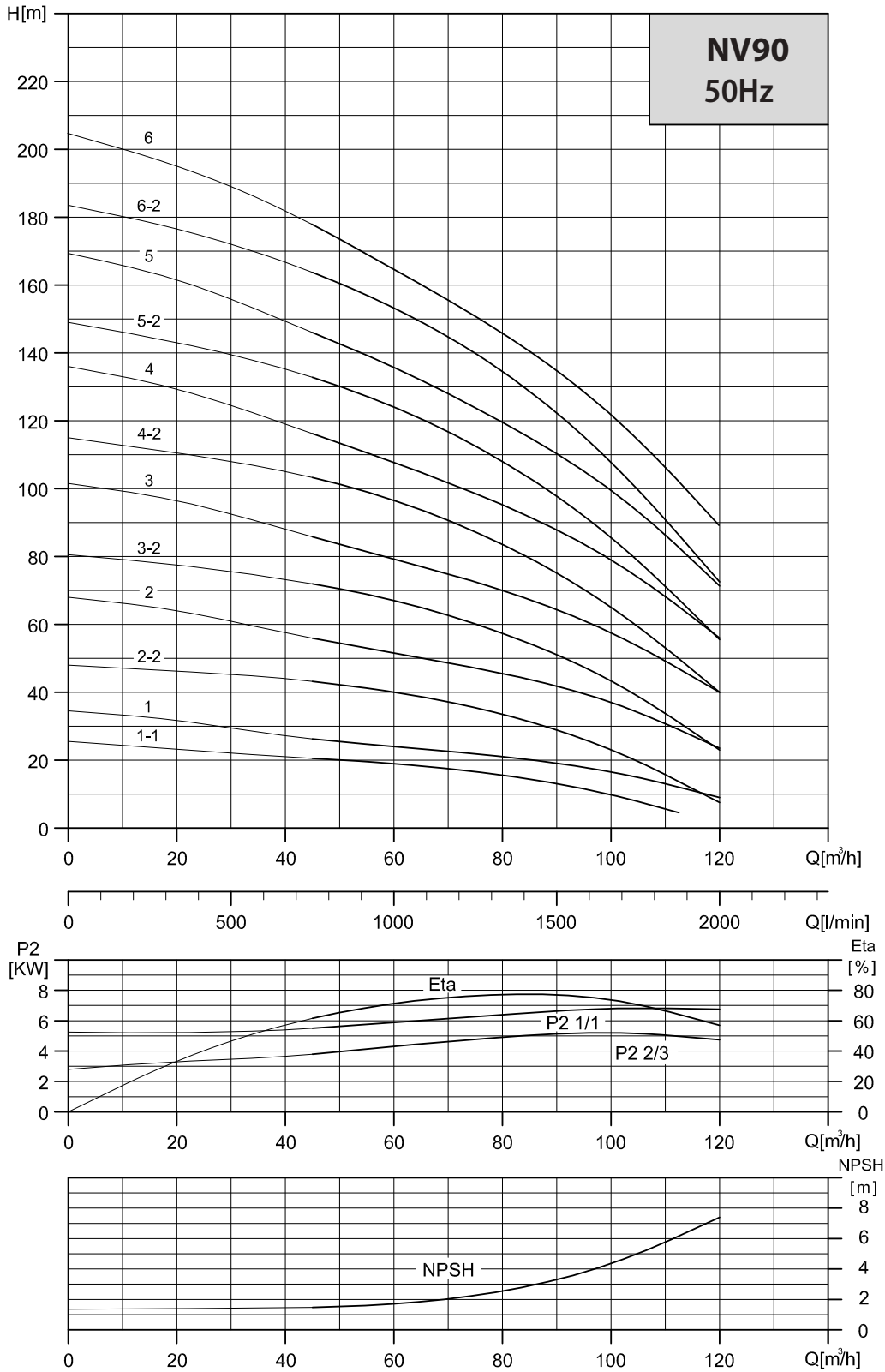
Dimensions & Weights NVI, NVN 64



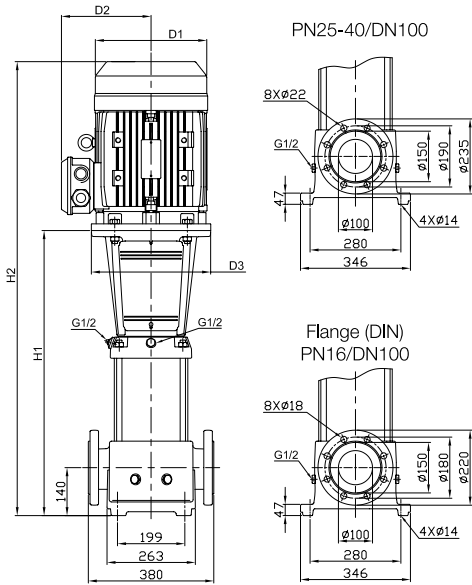
Weights are indicative only and may change with different motor make & type.

Model	Motor P ₂ [kW]	NVI, NVN					Net weight [kg]		
		Dimension [mm]			D1	D2		D3	DIN flange
		H1	H2	DIN flange					
NVI, NVN 64-1-1	4.0	563	898	219	162	280	81.94		
NVI, NVN 64-1	5.5	563	923	234	199	300	95.82		
NVI, NVN 64-2-2	7.5	646	1046	234	199	300	108.75		
NVI, NVN 64-2-1	11.0	756	1201	268	215	350	142.33		
NVI, NVN 64-2	11.0	756	1201	268	215	350	142.33		
NVI, NVN 64-3-2	15.0	838	1327	268	215	350	157.34		
NVI, NVN 64-3-1	15.0	838	1327	268	215	350	157.34		
NVI, NVN 64-3	18.5	838	1373	317	242	350	192.34		
NVI, NVN 64-4-2	18.5	921	1456	317	242	350	196.21		
NVI, NVN 64-4-1	22.0	921	1500	317	242	350	206.97		
NVI, NVN 64-4	22.0	921	1500	317	242	350	206.97		
NVI, NVN 64-5-2	30.0	1003	1626	317	290	400	296.09		
NVI, NVN 64-5-1	30.0	1003	1626	317	290	400	296.09		
NVI, NVN 64-5	30.0	1003	1626	317	290	400	296.09		
NVI, NVN 64-6-2	30.0	1086	1709	317	290	400	299.97		
NVI, NVN 64-6-1	37.0	1086	1811	398	365	400	368.97		
NVI, NVN 64-6	37.0	1086	1811	398	365	400	368.97		
NVI, NVN 64-7-2	37.0	1168	1893	398	365	400	372.88		
NVI, NVN 64-7-1	37.0	1168	1893	398	365	400	372.88		
NVI, NVN 64-7	45.0	1172	1897	398	365	450	400.88		
NVI, NVN 64-8-2	45.0	1255	1980	398	365	450	404.91		
NVI, NVN 64-8-1	45.0	1255	1980	398	365	450	404.91		

NV, NVI, NVN 90



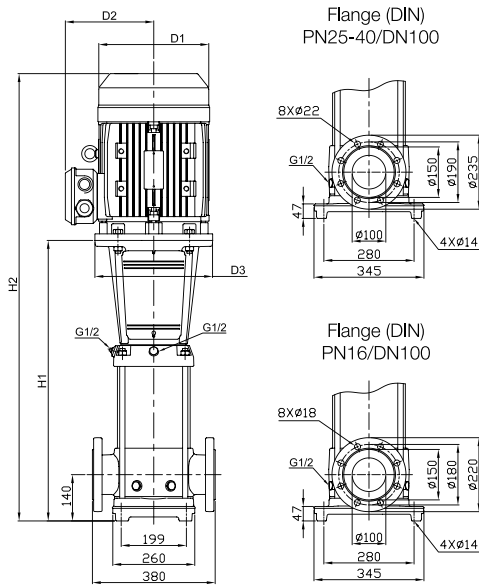
Dimensions and weights NV 90



Weights are indicative only and may change with different motor make & type.

Model	Motor	NV					Net weight [kg]	
		P ₂ [kW]	Dimension [mm]					
			DIN flange		D1	D2		D3
			H1	H2				
NV 90-1-1	5.5	572	932	234	199	300	116.06	
NV 90-1	7.5	572	972	234	199	300	125.08	
NV 90-2-2	11.0	774	1219	268	215	350	163.82	
NV 90-2	15.0	774	1263	268	215	350	174.86	
NV 90-3-2	18.5	866	1401	317	242	350	214.94	
NV 90-3	22.0	866	1445	317	242	350	225.74	
NV 90-4-2	30.0	958	1581	317	290	400	316.08	
NV 90-4	30.0	958	1581	317	290	400	316.12	
NV 90-5-2	37.0	1050	1775	398	365	400	391.48	
NV 90-5	37.0	1050	1775	398	365	400	391.52	
NV 90-6-2	45.0	1142	1867	398	365	450	424.58	
NV 90-6	45.0	1142	1867	398	365	450	424.62	

Dimensions and weights NVI, NVN 90



Weights are indicative only and may change with different motor make & type.

Model	Motor P ₂ [kW]	NVI, NVN					Net weight [kg]	
		Dimension [mm]			D1	D2		D3
		DIN flange						
H1	H2	DIN flange						
NVI, NVN 90-1-1	5.5	576	936	234	199	300	106.30	
NVI, NVN 90-1	7.5	576	976	234	199	300	115.32	
NVI, NVN 90-2-2	11.0	778	1223	268	215	350	153.92	
NVI, NVN 90-2	15.0	778	1267	268	215	350	164.96	
NVI, NVN 90-3-2	18.5	870	1405	317	242	350	205.00	
NVI, NVN 90-3	22.0	870	1449	317	242	350	215.80	
NVI, NVN 90-4-2	30.0	962	1585	317	290	400	305.98	
NVI, NVN 90-4	30.0	962	1585	317	290	400	306.02	
NVI, NVN 90-5-2	37.0	1054	1779	398	365	400	381.82	
NVI, NVN 90-5	37.0	1054	1779	398	365	400	381.86	
NVI, NVN 90-6-2	45.0	1146	1871	398	365	450	414.66	
NVI, NVN 90-6	45.0	1146	1871	398	365	450	414.70	



Single System



Dual System



Triplex System

nexus