

Sump Pumps



Model Number:
D23A/B



LOW FLOW SUBMERSIBLE PUMP

APPLICATION

Ideal for lawn and garden irrigation and sump emptying to low heads

FEATURES & BENEFITS

- **Float switch fitted** for automatic operation
- **Double mechanical seal, one in the oil bath on the motor and an extra mechanical seal on pump** for superior reliability and a long service life
- **Corrosion resistant 304 stainless steel shaft, motor shell and fasteners** for longer service life
- **Centrifugal multi-stage 3 impeller design** for low flow applications
- **In-built automatic thermal overload** to protect the motor in the event of blockage or voltage supply problems
- **H07RNF oil resistant leads, 10 meters long with 3 pin power plug** for longer life in dirty water and easy connection to the mains power supply

Sump Pumps

Suitable Fluids

Clean water of neutral pH containing up to 1% small solids. Some wear should be expected if pumping hard solids in suspension.

Priming and Operation

Use a rope to position and retrieve the pump. Do not lower or retrieve the pump using the power lead as this may damage the cable entry seals, causing water leaks and unsafe operation.

Don't use this product for recirculating or filtering swimming pools, spas, etc.

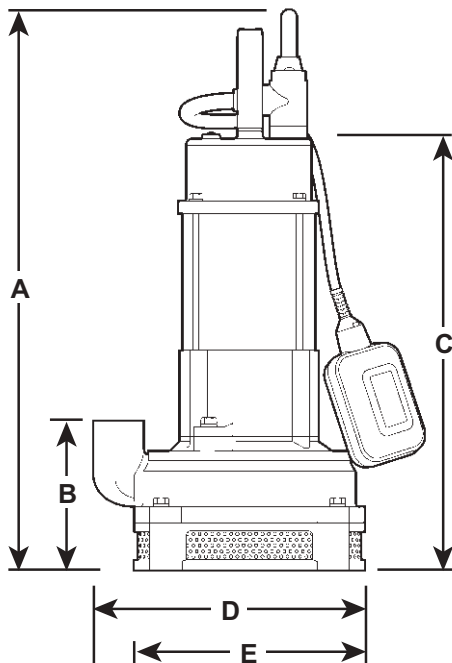
While these pumps are built to high safety standards, they are not approved for installations where people will be in the water while they are operating.

Don't pump abrasive materials. Sand and grit in the water being pumped will accelerate wear, causing shortened pump life.

Keep your pump clean, particularly in situations where lint, hair or fibrous materials may get bound around the pump shaft. Inspection every 6 months and cleaning will extend pump life.

Make room for the float switch to operate. Automatic models have a float switch to turn them on when the water level rises and turn them off again when it has been pumped down to the safe operating level of the pump. If the float switch is not free to rise and fall, correct pump operation may not be possible.

DIMENSIONS (mm)						
A	B	C	D	E	Outlet B.S.P	Net Weight (kg)
380	120	260	195	160	1" F	6.25



OPERATING LIMITS	
Capacities to	52 lpm
Maximum total head	22.5m
Maximum submergence	7m
Maximum pumped water temperature	40° C
Minimum soft solids	1mm O.D.
Outlet size	1" F

ELECTRICAL DATA	
Supply voltage	220-240V
Supply frequency	50Hz single phase
Speed	2 pole, 2850rpm
Full load current	1.8A
Locked rotor current	14A
Input power (P1)	0.38kW
Output power (P2)	0.2kW
IP rating	X8
Insulation class	Class I
Lead	10m long

MATERIALS OF CONSTRUCTION	
Part	Material
Impeller	Polycarbonate & fiberglass
Lock nut	304 Stainless Steel
Pump casing	Polyoxymethylene & Fiberglass
Diffuser and blanking ring	Polyoxymethylene
Mechanical seal - pump	Carbon / ALOX
Mechanical seal - motor	Silicon Carbide / ALOX
Pump shaft	410 Stainless Steel
Orings	Nitrile Rubber
Motor shell	304 Stainless Steel
Bottom bearing housing	Acrylonitrile Butadiene Styrene
Upper motor cover	Nylon 66
Handle	Acrylonitrile Butadiene Styrene
Fasteners	304 Stainless Steel
Float & power supply leads	Blended Rubber

HYDRAULIC PERFORMANCE

