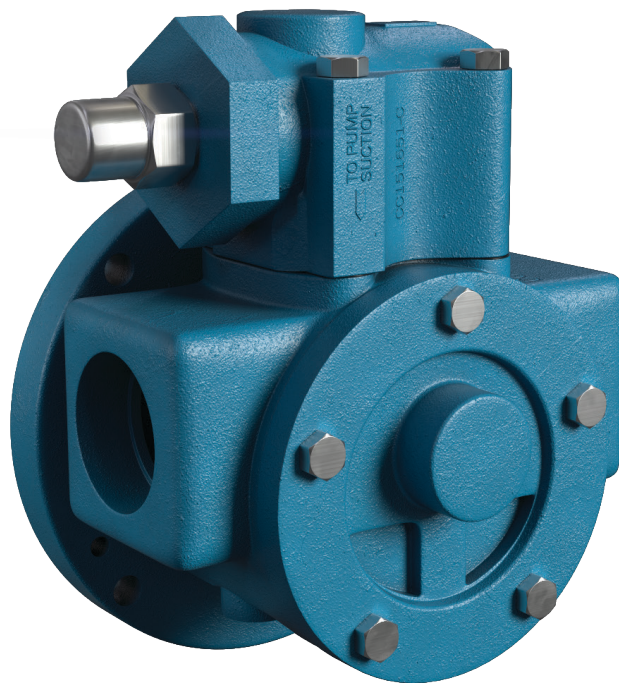


# LUBETECH

**PROUDLY MANUFACTURED BY TUTHILL**

## CC SERIES

ENGINEERING DATA PACK



MADE IN USA



WE'RE ALL ABOUT EXPERIENCE

[allpumps.com.au](http://allpumps.com.au)



## TABLE OF CONTENTS

CC Pump Model Number System .....	3
CC Pump Model Materials of Construction .....	3
CC Pump Temperature Limits.....	4
Series Pump Data.....	4
Viscosity Correction Factor.....	4
CC09 Pump/NEMA Motor Mounting Dimensions.....	5
CC015, 020 & 030 Pump/NEMA Motor Mounting Dimensions .....	5



## CC PUMP MODEL NUMBER SYSTEM

POSITION #	PUMP SERIES		MATERIAL OF CONSTRUCTION	FRAME SIZE	PUMP SIZE			PORTING	SEAL ELASTOMER	ROTAION		VALVE TYPE	SPECIAL MODIFICATION
	1	2			3	4	5			6	7		

**POS. 1 & 2 - PUMP SERIES**

CC

**POS. 8 - PORTING**

1 = NPT

**POS. 12 - VALVE TYPE**

V = Relief Valve

**POS. 3 - MATERIAL OF CONSTRUCTION**

I = Iron

**POS. 9 - SEAL ELASTOMER**

3 = Buna

5 = Neoprene

7 = Viton

8 = EPR

9 = Other (All Type 2)

**POS. 13 - SPECIAL MODIFICATION**

Assigned by Tuthill Pump Group engineering as required

**POS. 4 - FRAME SIZE**

1 = 5/8" (56C)

2 = 7/8" (143/145TC)

**POS. 5, 6, & 7 - PUMP SIZE**

009

015

020

030

**POS. 10 & 11 ROTATION**

C = Clockwise

CC = Counterclockwise

## CC PUMP MATERIALS OF CONSTRUCTION

		MATERIAL	AVAILABILITY	STANDARD	COMMENTS
PART NAME	HOUSING	Cast Iron	Standard	ASTM A48 – 96a	Classes 30, 35, or 40
	COVER	Cast Iron			
	ROTOR	Ductile Iron		ASTM A536	Ductile Iron Grade 80-55-06
	IDLER	Ductile Iron			
	IDLER PIN	Steel		C1117	Heat Treated
	IDLER BUSHING	Carbon		Carbon Graphite Resin	
	RELIEF VALVE BODY	Cast Iron		ASTM A48 – 96a	Classes 30, 35, or 40
	RELIEF VALVE BLOCK-OFF PLATE	Steel		ASTM A36	
	GASKETS	Standard		Oriented Polyester	
	SEAL	Viton		Garlock	Used for Relief Valve Pumps Only

## CC PUMP TEMPERATURE LIMITS

		MINIMUM	MAXIMUM
MATERIAL	CARBON BUSHING	-100 °F	500 °F
	VITON	-10 °F	375 °F

**NOTE:** A pump's performance is dependent on more than just the temperature ranges of the component materials.

## SERIES PUMP DATA

NPSH Required for Tuthill "CC" Series pumps 0-750 SSU

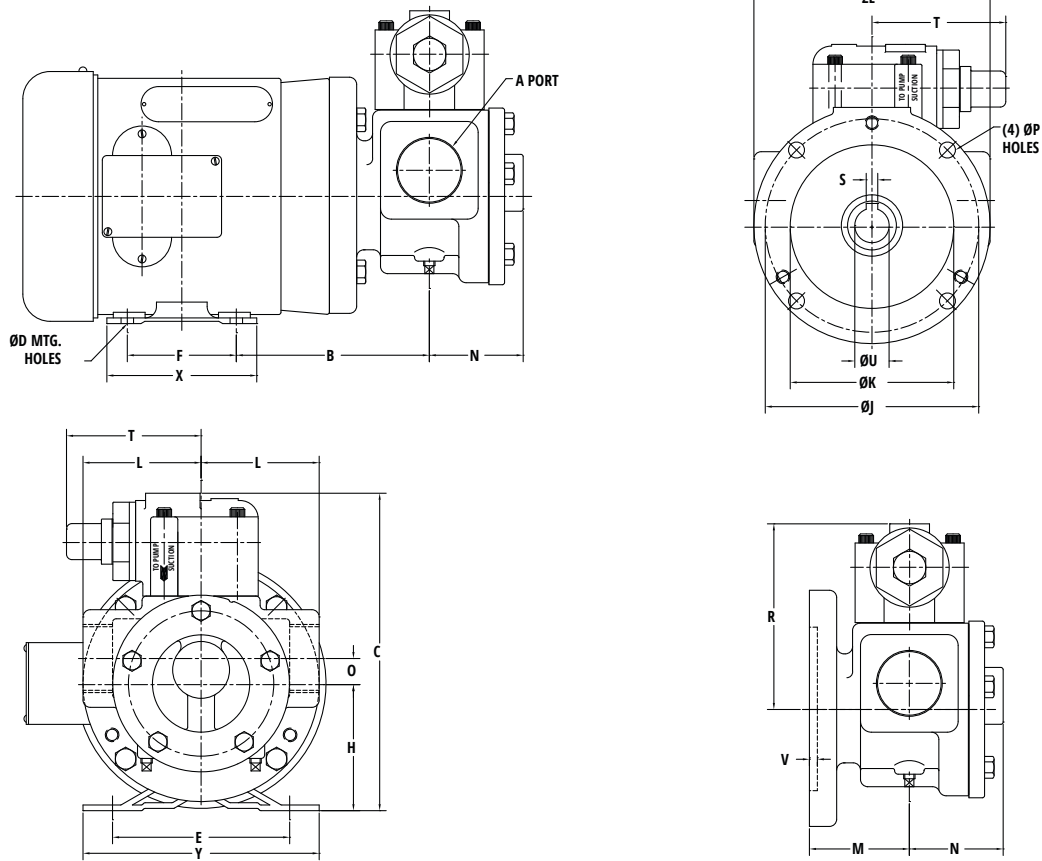
		300	600	900	1200	1500	1800
PUMP SERIES	CC009	1.4 FT	1.9 FT	3.1 FT	4.5 FT	6.4 FT	9.1 FT
	CC015	1.5 FT	2.1 FT	3.3 FT	5.0 FT	7.0 FT	9.8 FT
	CC020	1.6 FT	2.3 FT	3.6 FT	5.5 FT	7.7 FT	10.4 FT
	CC030	1.7 FT	2.6 FT	4.1 FT	6.6 FT	9.1 FT	11.8 FT

**NOTE** For liquid viscosity up to 750 SSU NPSHA (Net Positive Suction Head Available) must be greater than the NPSHR (Net Positive Suction Head Required) value provided in the table. Values above are for feet of liquid with a Specific Gravity of (1.0).

## VISCOSITY CORRECTION FACTOR

1000 SSU	1500 SSU	2000 SSU	2500 SSU
1.15 Correction Factor	1.20 Correction Factor	1.25 Correction Factor	1.3 Correction Factor

# CC09 PUMP/NEMA MOTOR MOUNTING DIMENSIONS

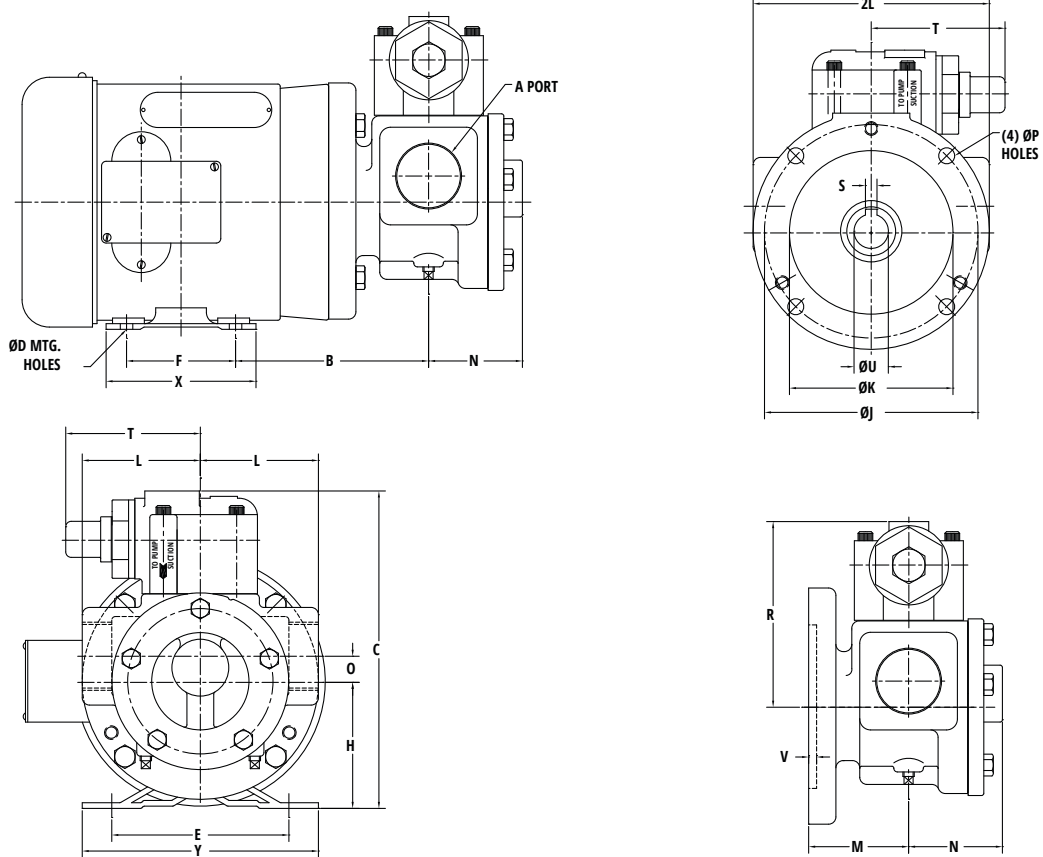


## MOTOR FRAME SIZE

	A	B	C	D	E	F	H	J	K	L	M	N	O
<b>56C</b>		5 25/64"	8 5/16"	11/32"	4 7/8"	3"	3 1/2"	5 7/8"	4 1/2"	2 1/2"	2 53/64"	1 31/64"	17/32"
<b>143TC</b>	1" NPT	5 5/64"	8 5/16"	11/32"	5 1/2"	4"	3 1/2"	5 7/8"	4 1/2"	2 1/2"	2 53/64"	1 31/64"	17/32"
<b>145TC</b>		5 5/64"	8 5/16"	11/32"	5 1/2"	5"	3 1/2"	5 7/8"	4 1/2"	2 1/2"	2 53/64"	1 31/64"	17/32"

	P	R	S	T	U	V	X	Y
<b>56C</b>	15/32"	4 13/16"	3/16"	3 23/32"	5/8"	15/64"	3 3/4"	6 3/16"
<b>143TC</b>	15/32"	4 13/16"	3/16"	3 23/32"	7/8"	15/64"	5"	6 7/8"
<b>145TC</b>	15/32"	4 13/16"	3/16"	3 23/32"	7/8"	15/64"	5"	6 7/8"

# CC015, 020 & 030 PUMP/NEMA MOTOR MOUNTING DIMENSIONS



## MOTOR FRAME SIZE

	A	B	C	D	E	F	H	J	K	L	M	N
<b>56C</b>	1 1/2" NPT	5 25/64"	8 49/64"	11/32"	4 7/8"	3"	3 1/2"	5 7/8"	4 1/2"	3 1/4"	2 47/64"	2 23/32"
<b>143TC</b>	1 1/2" NPT	5"	8 49/64"	11/32"	5 1/2"	4"	3 1/2"	5 7/8"	4 1/2"	3 1/4"	2 47/64"	2 23/32"
<b>145TC</b>	1 1/2" NPT	5"	8 49/64"	11/32"	5 1/2"	5"	3 1/2"	5 7/8"	4 1/2"	3 1/4"	2 47/64"	2 23/32"

	O	P	R	S	T	U	V	X	Y
<b>56C</b>	5/8"	15/32"	4 3/8"	3/16"	3 45/64"	5/8"	15/64"	3 3/4"	6 3/16"
<b>143TC</b>	5/8"	15/32"	5 17/64"	3/16"	3 45/64"	7/8"	15/64"	5"	6 7/8"
<b>145TC</b>	5/8"	15/32"	5 17/64"	3/16"	3 45/64"	7/8"	15/64"	6"	6 7/8"

# REGULATORY COMPLIANCE INFORMATION



The "00" Series pumps comply with the Nam enim nisi, sagittis sit amet dui sed, accumsan ullamcorper.

## THE FOLLOWING STANDARDS WERE USED TO VERIFY CONFORMANCE:

*Lorem ipsum dolor sit amet, consectetur adipiscing elit. Nam enim nisi, sagittis sit amet dui sed, accumsan ullamcorper dui. Maecenas maximus varius orci, id elementum leo facilisis nec. Praesent semper et odio a sodales. Nam enim nisi, sagittis sit amet dui sed, accumsan ullamcorper.*



The "00" Series pumps comply with the Nam enim nisi, sagittis sit amet dui sed, accumsan ullamcorper.

## THE FOLLOWING STANDARDS WERE USED TO VERIFY CONFORMANCE:

*Lorem ipsum dolor sit amet, consectetur adipiscing elit. Nam enim nisi, sagittis sit amet dui sed, accumsan ullamcorper dui. Maecenas maximus varius orci, id elementum leo facilisis nec. Praesent semper et odio a sodales. Nam enim nisi, sagittis sit amet dui sed, accumsan ullamcorper.*



The "00" Series pumps comply with the Nam enim nisi, sagittis sit amet dui sed, accumsan ullamcorper.

## THE FOLLOWING STANDARDS WERE USED TO VERIFY CONFORMANCE:

*Lorem ipsum dolor sit amet, consectetur adipiscing elit. Nam enim nisi, sagittis sit amet dui sed, accumsan ullamcorper dui. Maecenas maximus varius orci, id elementum leo facilisis nec. Praesent semper et odio a sodales. Nam enim nisi, sagittis sit amet dui sed, accumsan ullamcorper.*



