



# FT1R Nozzles

Pneumatic Drive

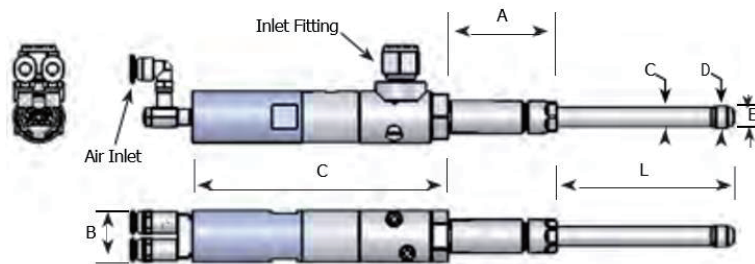
## Positive Shut off Fill Nozzles

Small Diameter Positive Shutoff Nozzle
<b>Viscosity</b> Low to High (>20,000 cps) With or Without Particles
<b>Applications</b> With drip free dispensing, liquids of all viscosities can be dispensed, including alcohols, creams, gels and creams if high viscosities.



### Details

- Pneumatic Drive
- Stainless Steel Construction
- Configurable Inlet Fitting
- 1.00" (25.4mm) Pitch
- Easily Integrated with HIFE Pumps
- Quick Disassembly & Cleaning



Model	External Dimensions in (mm)							Wall Thickness
	A	B	C	D	E	F	L	
FT1R-S-T3	2.165 (55.0)	1.00 (25.40)	3/16 (4.76)	0.230 (5.84)	0.102 (2.59)	5.08 (129.0)	Standard and Custom Lengths Ranging from 1.5" (38.1) to 42" (1066)	0.020 (0.51)
FT1R-L-T3	4.165 (105.8)							
FT1R-S-T4	2.165 (55.0)		1/4 (6.25)	0.280 (7.11)	0.132 (3.35)			
FT1R-L-T4	4.165 (105.8)							
FT1R-S-T5	2.165 (55.0)		5/16 (7.94)	0.360 (9.14)	0.167 (4.24)			
FT1R-L-T5	4.165 (105.8)							
FT1R-S-T6	2.165 (55.0)		3/8 9.53	0.420 (10.66)	0.217 (5.51)			
FT1R-L-T6	4.165 (105.8)							
FT1R-S-T8	2.165 (55.0)		1/2 (12.7)	0.550 (13.97)	0.313 (7.95)			
FT1R-L-T8	4.165 (105.8)							

FT1R NOZZLES



# HPS Nozzles

Pneumatic Drive

## Positive Shut off Fill Nozzles

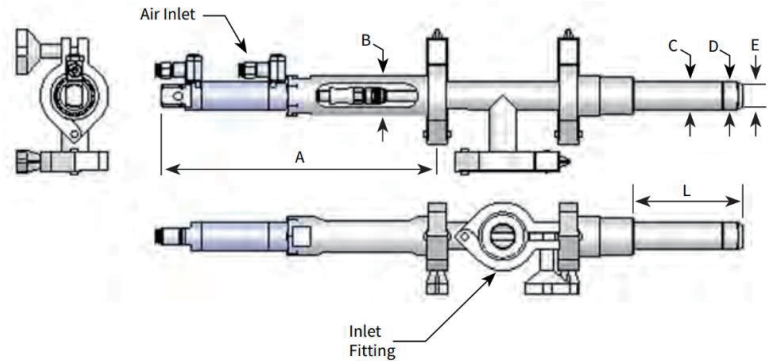
<b>Large Diameter Positive Shutoff Nozzle</b>
<b>Viscosity</b> Low to High (>20,000 cps) <b>With or Without Particles</b>
<b>Applications</b> Drip-free dispensing of medium viscosity liquids like jams and jellies and high viscosity products like cake icing.



HPS NOZZLES

### Details

- Large Bore Outlet
- Plug or Poppet Style Shut-off
- Pneumatic Drive
- Stainless Steel Construction
- Configurable Inlet Fitting
- Easily Integrated with HIFE Pumps Quick Disassembly & Cleaning



Model	External Dimensions Inch (mm)						Wall Thickness
	A	B	C	D	E	L	
HPS-3-.5	10.15 (257.81)	1.43 (36.3)	0.50 (12.7)	0.56 (14.3)	0.313 (7.95)	Standard and Custom Lengths Ranging From 1.5" (38.1) to 42" (1066)	0.04 (0.9)
HPS-3-.625			0.63 (15.9)	0.63 (15.9)	0.345 (8.76)		0.0625 (1.59)
HPS-3-.75			0.75 (19.1)	0.75 (19.1)	0.47 (11.9)		
HPS-3-1			1.00 (25.4)	1.00 (25.4)	0.72 (18.3)		
HPS-3-1.5			1.50 (38.1)	0.98 (24.9)	0.75 (19.1)		