



# 2CT-3 Hydraulic

## 3" X 3" Self Priming Centrifugal Trash Pump

The 2CT-3 Hydraulic is a hydraulically driven self priming centrifugal trash pump. The 2CT features a back pull out design and a removable front trash cleanout for ease of maintenance. A 304SS drive sleeve protects the close coupled driver shaft. Available options include a bearing pedestal for base mounted pumps as well as an electric motor drive pedestal.

### SPECIFICATIONS:

Suction And Discharge	3" x 3" NPT
Materials Of Construction	Cast iron
Flow	Up to 350 GPM
Head Feet	Up to 90'
Impeller	5.82" ductile iron
Drive Options	Hydraulic motor .58 cu. in.
Seal	Standard carbon / ceramic / Viton
Psi	Up to 39
Max Solid Size	1.5"

#### Application

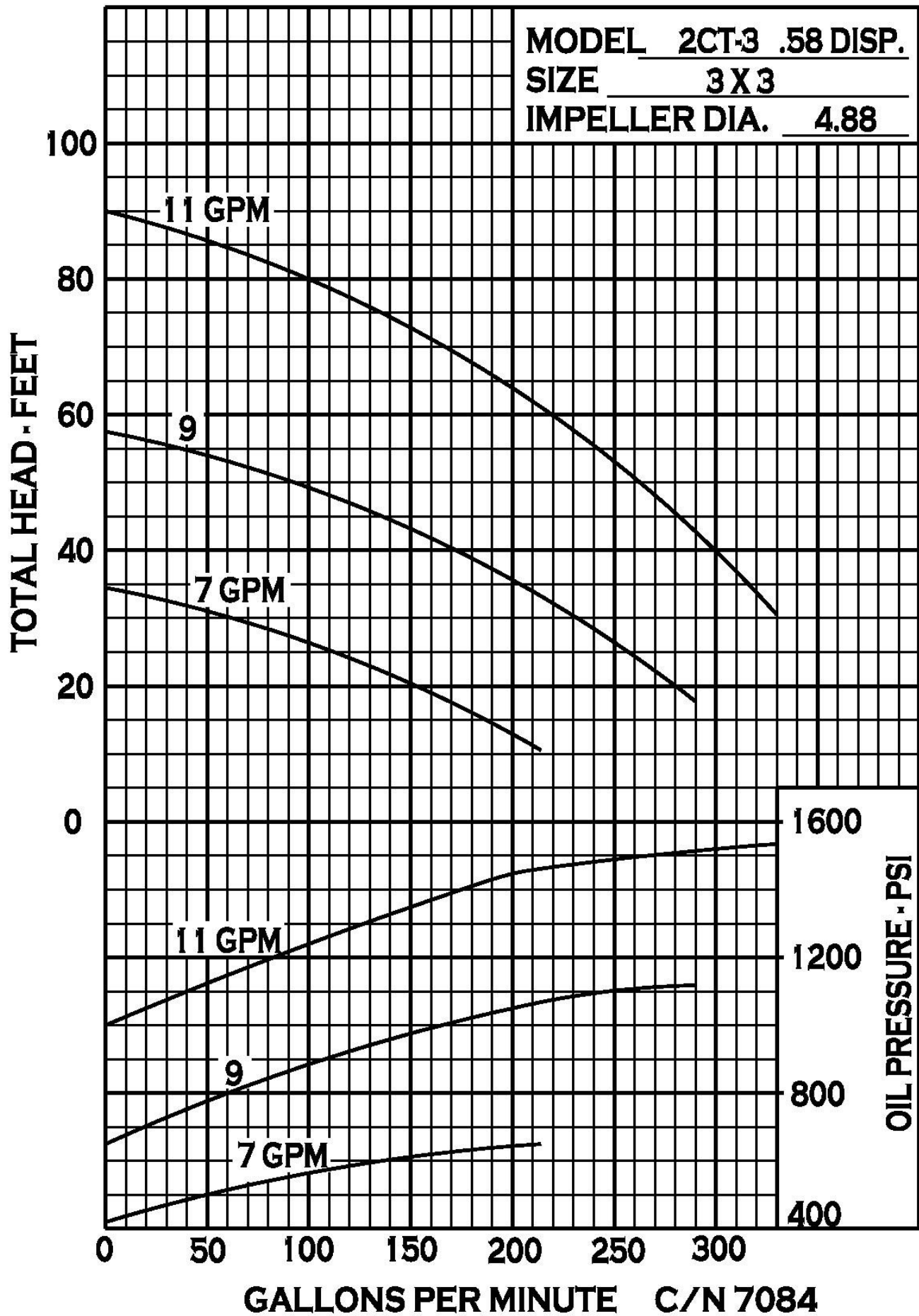
- Commercial
- Industrial
- OEM

#### Drive Sleeve

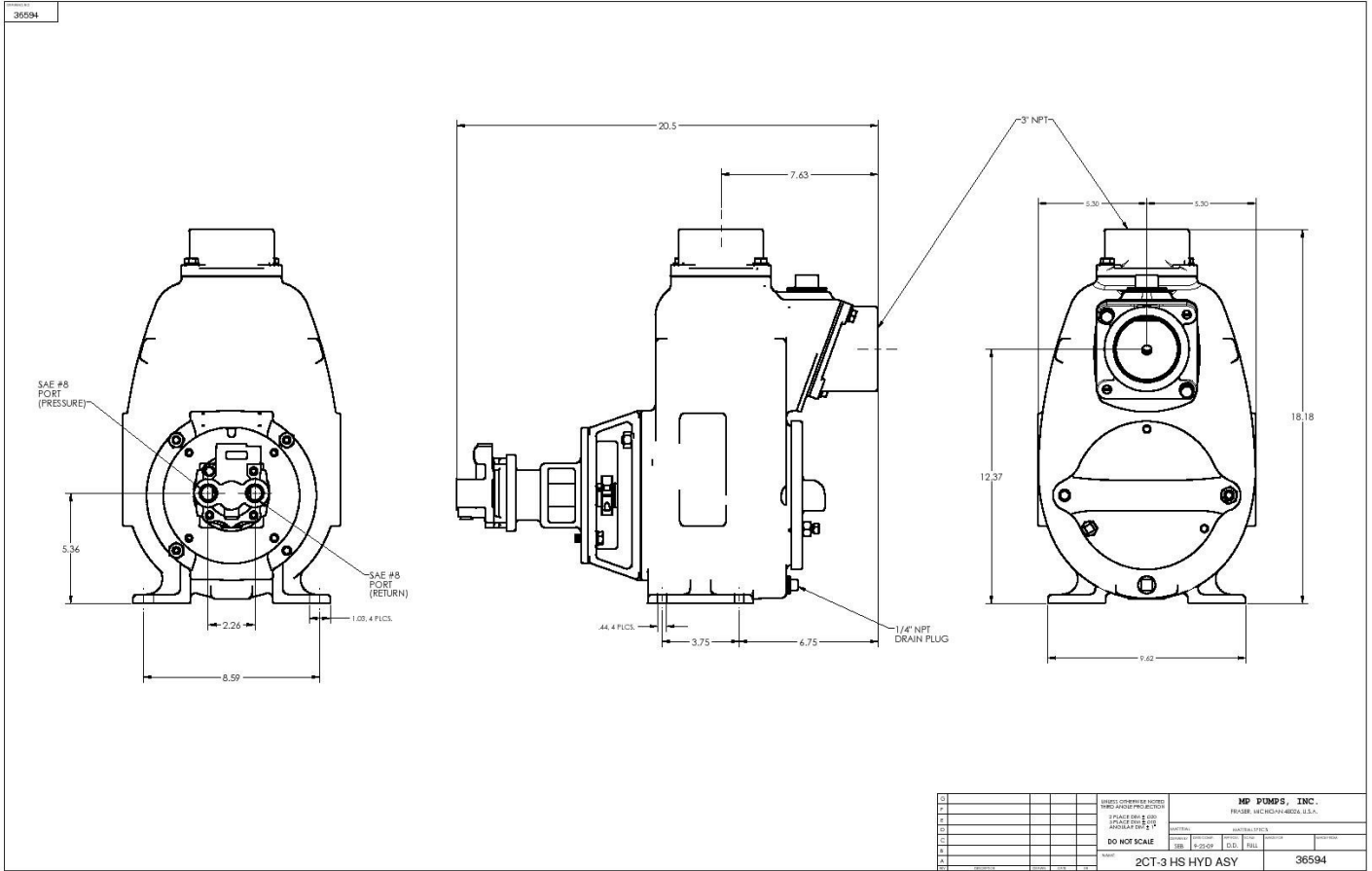
- 304 Stainless Steel

#### Features

- Back pull out design
- Removeable trash cleanout
- Will pass up to 1.5" solids



# 2CT-3 Hydraulic

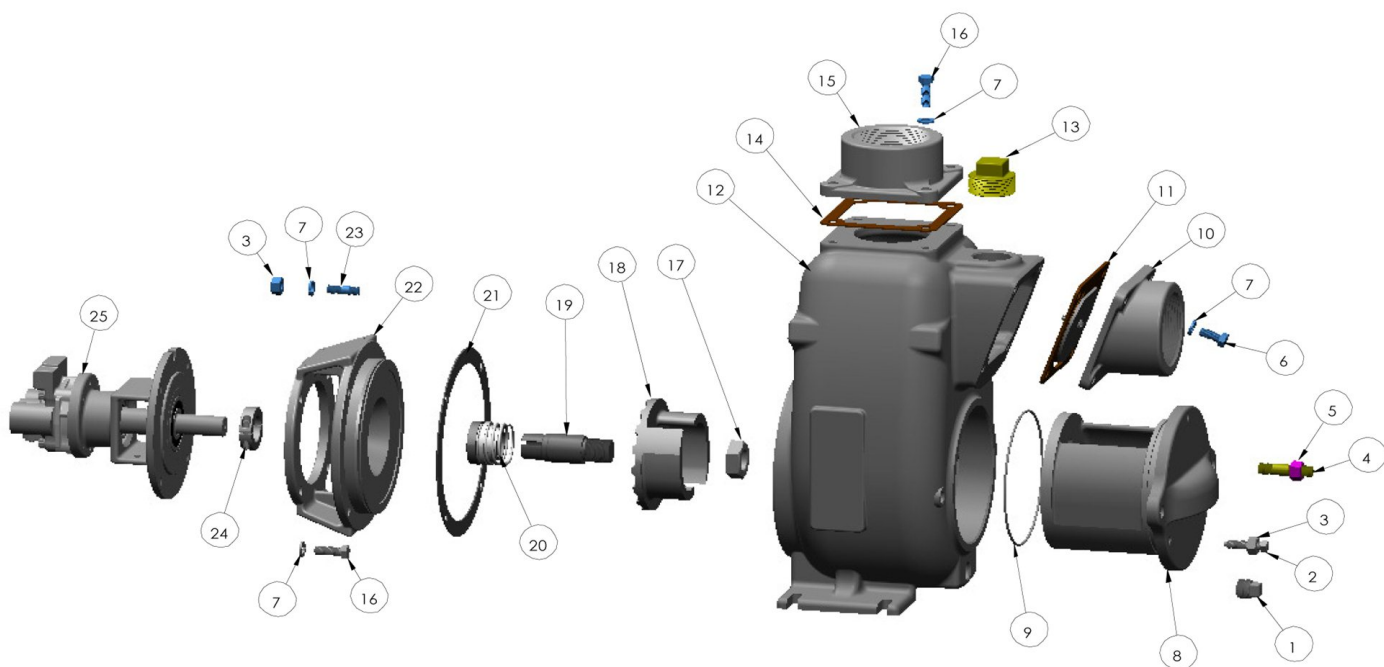


34800 BENNETT - FRASER, MI 48026-1686  
 (586) 293-8240 - FAX (586) 293-8469  
 (800) 563-8006 - www.mppumps.com

2CT-3 Hydraulic

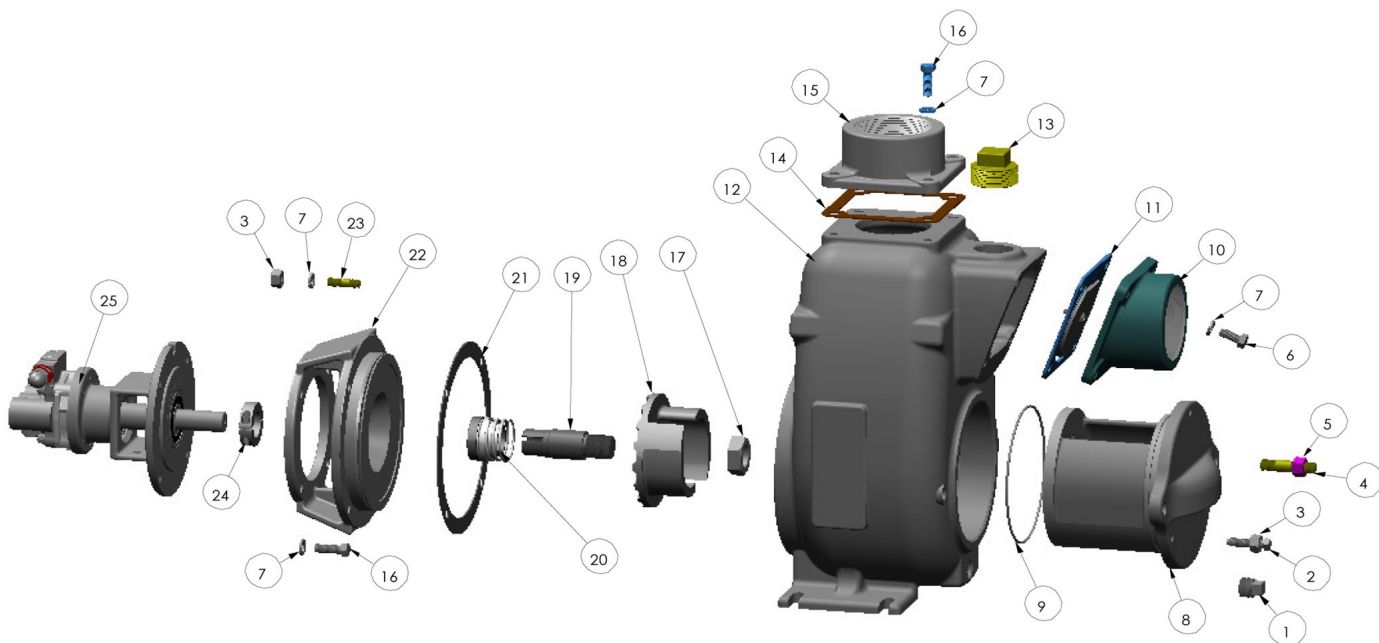






ITEM NO.	PART NO.	DESCRIPTION	QTY.		ITEM NO.	PART NO.	DESCRIPTION	QTY.
1	41479	PIPE PLUG C.I.- 1/2 NPT	1	*	14	22358	GASKET- BUNA	1
2	43926	SET SCREW- 3/8-16	3		15	22471	FLANGE- DISCHARGE 3" NPT	1
3	21268	HEXNUT S.S.- 3/8-16	7		16	21291	CAPSCREW S.S.- 3/8-16 X 1.13	8
4	41449	STUD STL- 1/2-13 X 2.25	2		17	22417	JAM NUT S.S.- 1-14	1
5	41553	HEXNUT STL- 1/2-13	2		18	44091	IMPELLER- 4.88"	1
6	21251	CAPSCREW S.S.- 3/8-16 X 7/8	4	*	19	43907	DRIVE SLEEVE	1
7	21266	LOCKWASHER S.S.- 3/8	12	*	20	43906	SEAL ASY- VITON	1
8	43905	CLEANOUT	1	*	21	40815	GASKET	1
9	41187	O-RING	1		22	43910	ADAPTOR	1
10	22468	FLANGE- SUCTION 3" NPT	1		23	21260	STUD S.S.- 3/8-16 X 1.32	4
* 11	23040	FLAPPER ASSEMBLY	1		24	43908	CLAMP- 7/8"	1
12	43903	VOLUTE	1		25	36451	HS ASSY- .58 MTR.	1
13	41484	PIPE PLUG- 1 1/2" NPT	1					

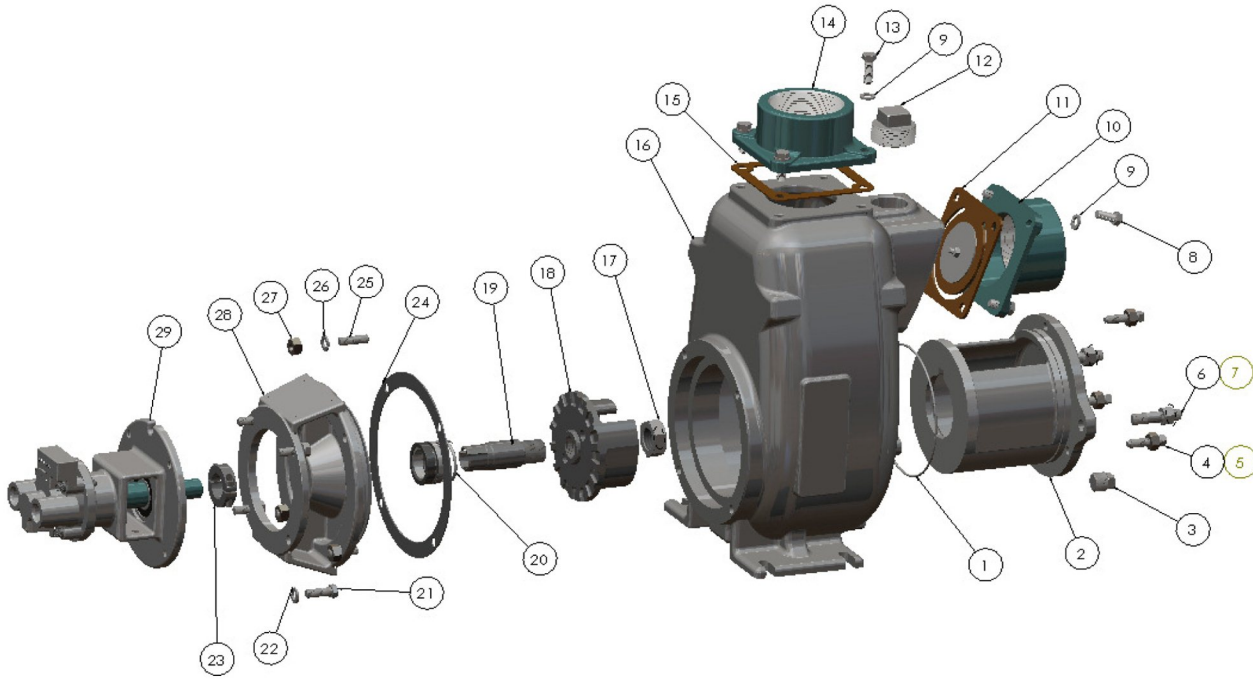
\* SUGGESTED REPLACEMENT PARTS



ITEM NO.	PART NO.	DESCRIPTION	QTY.		ITEM NO.	PART NO.	DESCRIPTION	QTY.
1	41479	PIPE PLUG- 1/2 NPT	1		14	22358	GASKET- BUNA	1
2	43926	SET SCREW- 3/8-16	3		15	22471	FLANGE- DISCHARGE 3" NPT	1
3	21268	HEXNUT SS- 3/8-16	7		16	21291	CAPSCREW SS- 3/8-16 X 1.13	8
4	41449	STUD STL- 1/2-13 X 2.25	2		17	22417	JAM NUT SS- 1-14	1
5	41553	HEXNUT STL- 1/2-13	2		18	44091	IMPELLER- 4.88"	1
6	21251	CAPSCREW SS- 3/8-16 X 7/8	4	*	19	43907	DRIVE SLEEVE	1
7	21266	LOCKWASHER SS- 3/8	12	*	20	43906	SEAL ASY- VITON	1
8	43905	CLEANOUT	1	*	21	40815	GASKET	1
9	41187	O-RING	1		22	43910	ADAPTOR	1
10	22468	FLANGE- SUCTION 3" NPT	1		23	21260	STUD SS- 3/8-16 X 1.32	4
11	23040	FLAPPER ASSEMBLY	1		24	43908	CLAMP- 7/8"	1
12	43903	VOLUTE	1		25	36024	HS ASY W/FLW CNTRL- .58 MTR.	1
13	41484	PIPE PLUG- 1 1/2" NPT	1					

\* SUGGESTED REPLACEMENT PARTS

44090



ITEM NO.	PART NO.	DESCRIPTION	QTY.	ITEM NO.	PART NO.	DESCRIPTION	QTY.		
*	1	41187	O-RING - BUNA	1	16	43903	VOLUTE C.I.	1	
	2	43905	CLEAN OUT C.I.	1	17	22417	HEX JAM NUT S.S. - 1"-14	1	
	3	41479	SQ. HD. PIPE PLUG - 1/2" NPT	1	18	44091	IMPELLER DUCTILE - 4.88 Ø	1	
	4	43926	SQ. HD. SET SCREW STL. - 3/8-16	3	19	43907	DRIVE SLEEVE S.S. - 7/8"	1	
	5	21268	HEXNUT S.S. - 3/8-16	3	* 20	43906	SEAL ASSY T-21 VITON - 1 1/4"	1	
	6	41449	STUD STL. - 1/2-13 X 2.25	2	21	21291	HEX HEAD CAPSCREW S.S. - 3/8-16 X 1.13	4	
	7	41553	HEXNUT STL. - 1/2-13	2	22	21266	L'WASHER S.S. - 3.8	4	
	8	21251	HEX HD. CAPSCREW S.S. - 3/8-16 X 7/8	4	23	43908	DRIVE SLEEVE CLAMP ASSY STL - 7/8"	1	
	9	21266	L'WASHER S.S. - 3.8	4	*	24	40815	GASKET - FIBER	1
	10	22468	SUCTION FLANGE C.I. - 3"	1	25	21260	STUD S.S. - 3/8-16 X 1.32	4	
*	11	23040	FLAPPER ASSY. - BUNA	1	26	21266	L'WASHER S.S. - 3.8	4	
	12	41484	PIPE PLUG C.I. - 1.5" NPT	1	27	21268	HEXNUT S.S. - 3/8-16	4	
	13	21291	HEX HD. CAPSCREW S.S. - 3/8-16 X 1.13	4	28	43910	ADAPTER C.I.	1	
	14	22471	DISCHARGE FLANGE C.I. - 3"	1	29	29014	H.S. PED. ASSY	1	
*	15	22358	DISCHARGE GASKET - BUNA	1					

\*RECOMMENDED REPLACEMENT PARTS