



CHEMFLO 4 HYDRAULIC

2" x 1-1/2" End Suction Centrifugal Pump

Made with high quality investment cast 316 stainless steel components, the ChemFlo® series of pumps are designed to be applied in a wide range of pumping applications where stainless steel is required.

The ChemFlo® 4 hydraulic pumps utilize a semi-open impeller design to allow for passage of larger solid sizes than similar sized enclosed impellers. Enclosed impeller options are available for higher efficiency performance. Several seal options are available in addition to the standard type 2100 carbon / ceramic / Viton mechanical seal.

ChemFlo®4 hydraulic pumps are offered with .22 or .37 cubic inch displacement SAE port fitting gerotor type motors for hydraulic flows up to 10 GPM and a maximum pressure of 2,500 PSI. An optional case drain allows the motor to be used in series with other hydraulic devices. Some hydraulic motors are bi-rotational.

Further expanding the versatility of the ChemFlo® series is the CFB 4 pump, a ChemFlo® 4 in NiBrAl material. All wetted parts are produced in CA 958 nickel aluminum bronze including the drive sleeve to maximize corrosion protection in seawater applications.



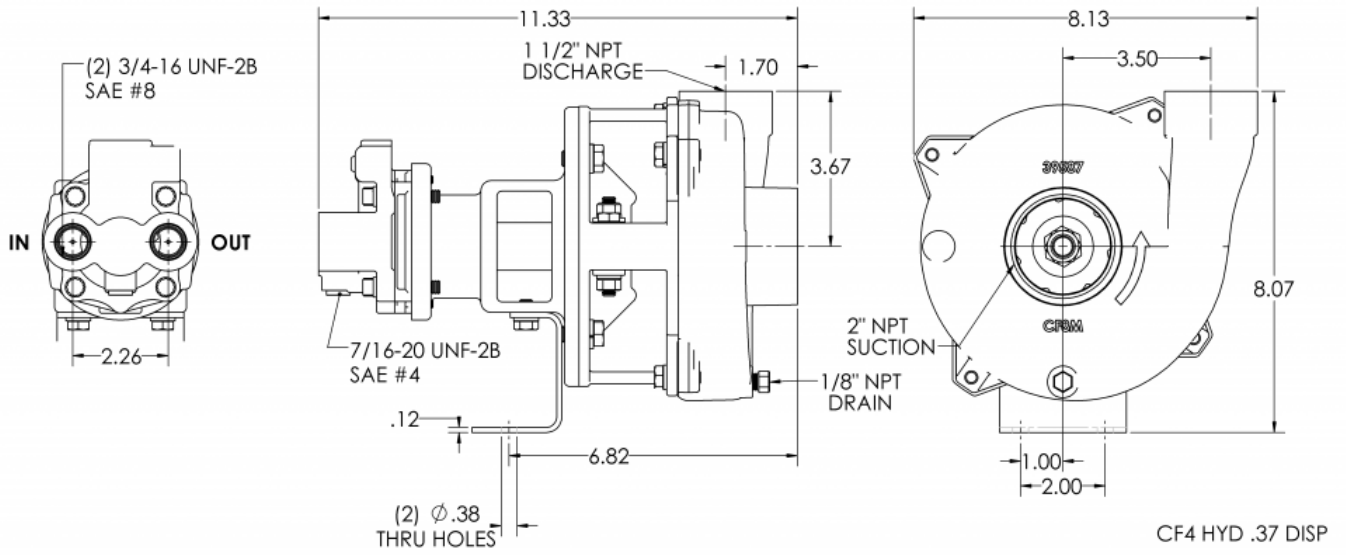
Application

- Agricultural
- Commercial
- Industrial
- Marine
- OEM

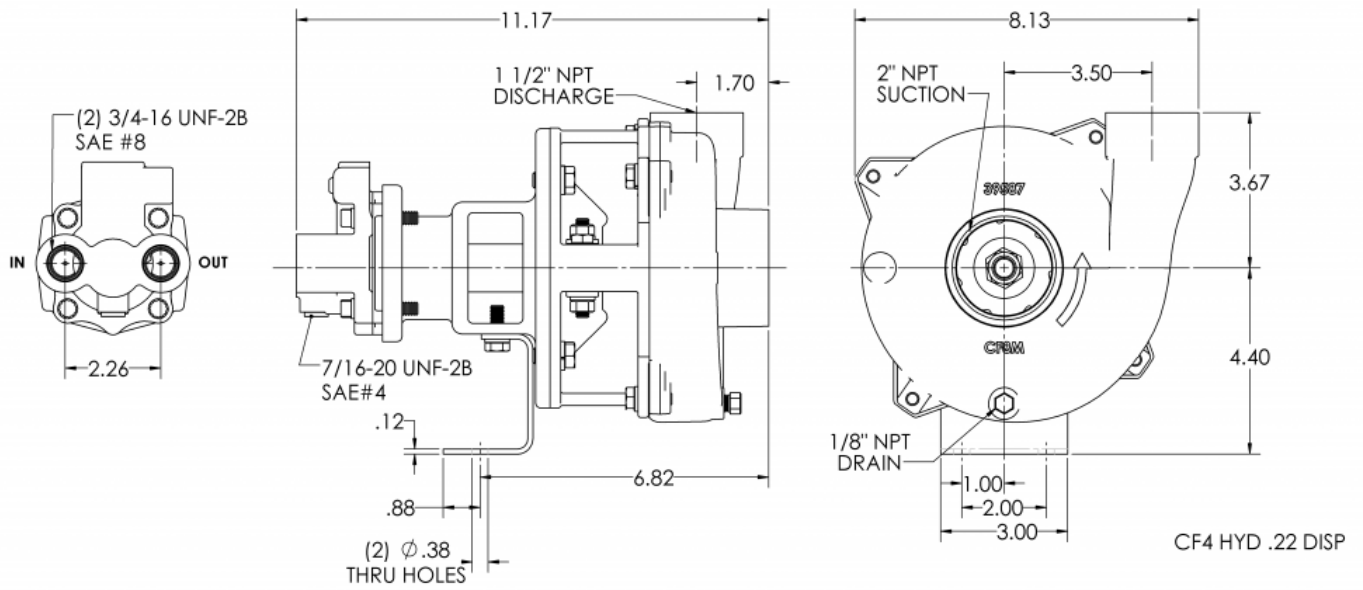
SPECIFICATIONS:

Suction And Discharge	2" x 1-1/2" NPT
Materials Of Construction	316 stainless steel, CFB (nickel aluminum bronze)
Flow	Up to 220 GPM
Head Feet	Up to 205'
Impeller	4.5" semi-open, cast 316 SS
Drive Options	Hydraulic motor .22 cu. in, Hydraulic motor .37 cu. in.
Seal	Standard carbon / ceramic / Viton
Options	Hydraulic motors with flow control, case drain
Hydraulic System Pressure	Up to 2500 PSI
Hydraulic Motor	Gerotor
Hydraulic Fluid Flow	Up to 10 GPM
Psi	Up to 100

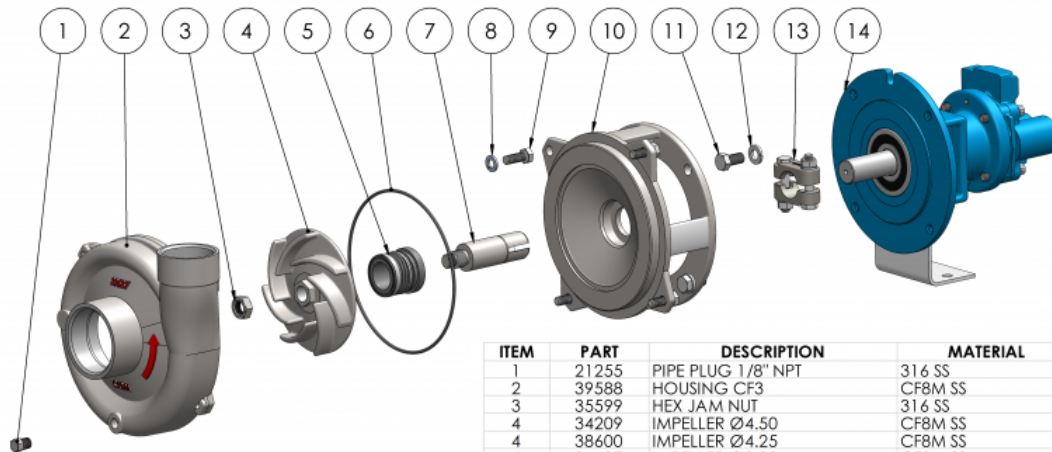
CHEMFLO 4 HYDRAULIC



CHEMFLO 4 HYDRAULIC



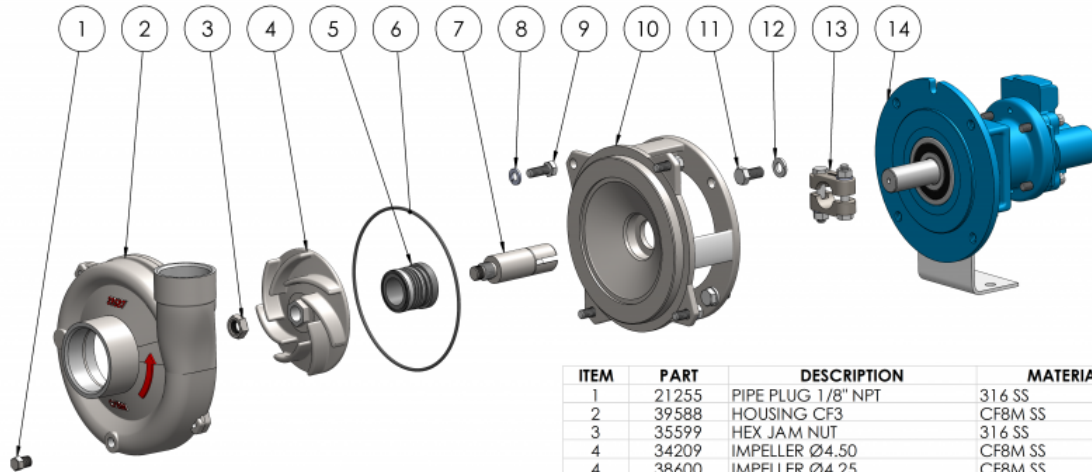
CHEMFLO 4 HYDRAULIC



CF4 HYD .37 DISP

ITEM	PART	DESCRIPTION	MATERIAL	QTY.
1	21255	PIPE PLUG 1/8" NPT	316 SS	1
2	39588	HOUSING CF3	CF8M SS	1
3	35599	HEX JAM NUT	316 SS	1
4	34209	IMPELLER Ø4.50	CF8M SS	1
4	38600	IMPELLER Ø4.25	CF8M SS	1
4	34407	IMPELLER Ø3.93	CF8M SS	1
4	39912	IMPELLER Ø3.57	CF8M SS	1
5	26440	SEAL ASSEMBLY 1"	CAR/CER/CHEMLON	1
5	22560	SEAL ASSEMBLY 1"	SVC SSC	1
5	22273	SEAL ASSEMBLY 1"	CCS/VITON	1
6	30066	O-RING AS-568-163	TEFLON ENCAPS SIL.	1
6	31230	O-RING AS-568-162	EPDM	1
6	29715	O-RING AS-568-162	VITON	1
6	35290	O-RING AS-568-162	NEOPRENE	1
6	39375	O-RING AS-568-162	BUNA	1
6	50524	O-RING AS-568-162	AFLAS	1
7	35753	DRIVE SLEEVE 145TC	316 SS	1
8	21238	LOCKWASHER 5/16 X 18	304 SS	4
9	21242	CAP SCREW HH 5/16-18 X 7/8	304 SS	4
10	33794	ADAPTER 145TC	316 SS	1
11	25663	CAPSCREW 3/8-16 X 3/4	304 SS	4
12	21266	LOCKWASHER 3/8 X 1/8	304 SS	4
13	23003	CLAMP ASSEMBLY	303 SS	1
14	36449	HYD .37DISP	CAST IRON	1
14	36269	HYD .37DISP FLW CTRL	CAST IRON	1

CHEMFLO 4 HYDRAULIC



CF4 HYD .22 DISP

ITEM	PART	DESCRIPTION	MATERIAL	QTY.
1	21255	PIPE PLUG 1/8" NPT	316 SS	1
2	39588	HOUSING CF3	CF8M SS	1
3	35599	HEX JAM NUT	316 SS	1
4	34209	IMPELLER Ø4.50	CF8M SS	1
4	38600	IMPELLER Ø4.25	CF8M SS	1
4	34407	IMPELLER Ø3.93	CF8M SS	1
4	39912	IMPELLER Ø3.57	CF8M SS	1
5	26440	SEAL ASSEMBLY 1"	CAR/CER/CHEMLON	1
5	22560	SEAL ASSEMBLY 1"	SVC SSC	1
5	22273	SEAL ASSEMBLY 1"	CCS/VITON	1
6	30066	O-RING AS-568-163	TEFLON ENCAPS SIL.	1
6	31230	O-RING AS-568-162	EPDM	1
6	29715	O-RING AS-568-162	VITON	1
6	35290	O-RING AS-568-162	NEOPRENE	1
6	39375	O-RING AS-568-162	BUNA	1
6	50524	O-RING AS-568-162	AFLAS	1
7	35753	DRIVE SLEEVE 145TC	316 SS	1
8	21238	LOCKWASHER 5/16 X 18	304 SS	4
9	21242	CAP SCREW HH 5/16-18 X 7/8	304 SS	4
10	33794	ADAPTER 145TC	316 SS	1
11	25663	CAPSCREW 3/8-16 X 3/4	304 SS	4
12	21266	LOCKWASHER 3/8 X 1/8	304 SS	4
13	23003	CLAMP ASSEMBLY	303 SS	1
14	36025	HYD .22DISP	CAST IRON	1
14	36271	HYD .22DISP FLW CTRL	CAST IRON	1