

# Positive Shut off Fill Nozzles

# ST Nozzles

Pneumatic Drive



## Small Diameter Positive Shut-Off Nozzle

### Viscosity

Low to High  
With or Without Particles

### Applications

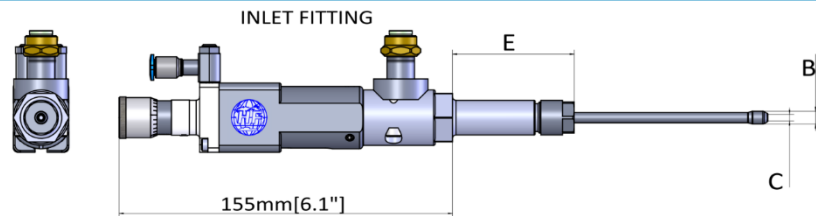
Drip-free dispensing of liquids from low to high viscosity products, such as juice, alcohols, honey, jams, creams and cake icing.



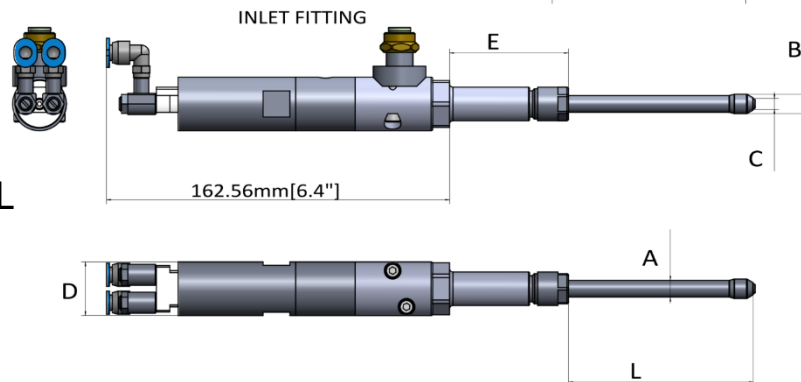
## Details

- Pneumatic Drive
- 316SS Construction
- Compact Designs are available in round or rectangular
- Stainless Steel Construction
- Configurable Inlet Fitting
- Easily Integrated with HIFE Pumps

ST MODEL



ST-R MODEL



Fill Tubes		External Dimensions													
		Tube Diameter		Nozzle OD		Nozzle ID		Body Width/OD		Inlet Body		L		Wall Thickness	
RC Body	RD Body	A		B		C		D		E		L		Wall Thickness	
		mm	inch	mm	inch	mm	inch	mm	inch	mm	inch	mm	inch	mm	inch
ST188-S	ST-R188-S	4.8	0.188	5.84	0.23	2.59	0.10	25.4	1	55.0	2.165	Length from 1" [25mm] to 50" [1270mm]	0.51	0.02	
ST188-L	ST-R188-L	4.8	0.188							105.8	4.165				
ST250-S	ST-R25-S	6.4	0.250	7.10	0.28	3.35	0.13			55.0	2.165				
ST250-L	ST-R25-L	6.4	0.250							105.8	4.165				
ST313-S	ST-R313-S	8.0	0.313	9.10	0.36	4.2	0.17			55.0	2.165				
ST313-L	ST-R313-L	8.0	0.313							105.8	4.165				
ST375-S	ST-R375-S	9.5	0.375	10.70	0.42	5.5	0.22			55.0	2.165				
ST375-L	ST-R375-L	9.5	0.375							105.8	4.165				
ST500-S	ST-R50-S	12.7	0.500	14.00	0.55	7.95	0.31			55.0	2.165				
ST500-L	ST-R50-L	12.7	0.500							105.8	4.165				

POSITIVE SHUT-OFF NOZZLES



QD POSITIVE SHUT-OFF NOZZLES

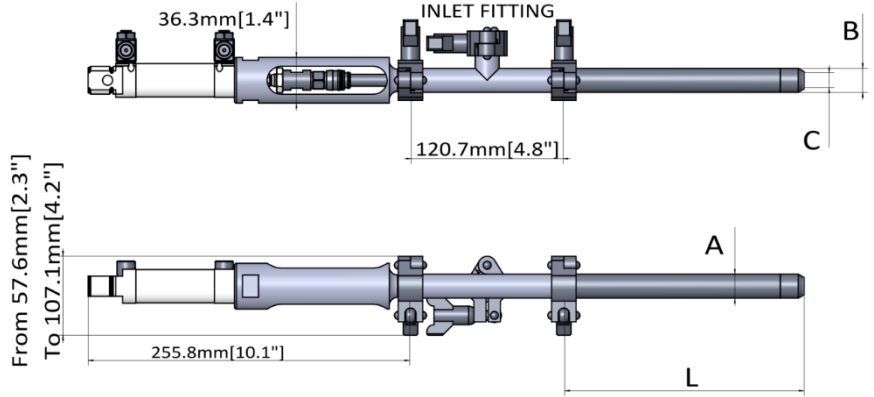
Large Diameter Positive Shut-Off Nozzle	
<b>Viscosity</b>	Low to High With or Without Particles
<b>Applications</b>	Drip-free dispensing of medium viscosity liquids like honey, jams, and high viscosity products like cake icing.



## Details

### QD = Quick Disconnect

- Pneumatic Drive
- Large Bore Outlet
- Plug or Poppet Style Shut-off
- Stainless Steel Construction
- Configurable Inlet Fitting
- Easily Integrated with HIFE Pumps
- Quick Disassembly & Cleaning



QD Fill Tubes	External Dimensions									
	Tube Diameter		Nozzle OD		Nozzle ID		Tube Length		Wall Thickness	
	A		B		C		L			
RD Body	mm	inch	mm	inch	mm	inch	mm	inch	mm	inch
QD-S188	4.8	0.19	5.8	0.23	2.5	0.10	Length from 1" [25mm] to 50" [1270mm]	0.9	0.04	
QD-S250	6.4	0.25	7.1	0.28	3.3	0.13				
QD-S313	8.0	0.31	9.1	0.36	4.3	0.17				
QD-S375	9.5	0.38	10.7	0.42	5.6	0.22				
QD-M500	12.7	0.50	14	0.55	7.9	0.31				
QD-M625	15.9	0.63	16	0.63	8.8	0.35		1.6	0.06	
QD-M750	19.1	0.75	19.1	0.75	8.0	0.31				
QD-L750	19.1	0.75	19.1	0.75	8.8	0.35				
QD-L875	22.2	0.88	4.8	0.19	11.9	0.47				
QD-L1000	25.4	1.00	25	0.98	18.3	0.72				
QD-L1500	38.1	1.50	25	0.98	19.1	0.75				



### Contact Us: