

# Rotary Valve Dispensing Pump

# MV-R Series



<b>Dispense Volume</b> 0-260ml
<b>Viscosity</b> Low to High (>20,000 cps) <b>No Particles</b>
<b>Applications</b>
For the Cosmetics, Technical and Chemical Industries but also, can be used in the Food and Pharmaceutical Industries.

Configurable Inlet & Outlet Fittings



High Accuracy  
+/- 0.5% or Better

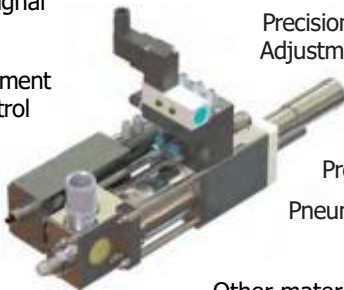
316 Stainless Steel Construction

## Details

Electric or Pneumatic Start  
Signal

Fine Adjustment  
Speed Control

Internal Full  
Stroke Sensor



Precision Volumetric  
Adjustment

Precision  
Pneumatic Drive

Precision Servo Drive and  
Motor



Programmable Servo  
Speed Profiling

Rotary Valve

Other materials of construction available

Heated Pump options available

RV Pump Models			Maximum Dispensing	Piston Stroke		Piston Diameter		Cycle Speed	Air Consumption	Weight
	Pneumatic	Electric	Volume (cc)	mm	inch	mm	inch	(cpm) <sup>A</sup>	scfm (l/min) <sup>B</sup>	lbs (kg) <sup>C</sup>
MV5R	P	E	5	25.4	1	15.9	0.625	0-140	5 (144)	16.8 (7.6)
MV10R				50.8	2	15.9	0.625			
MV15R			15	76.2	3	15.9	0.625	0-90	12.3 (350)	19 (8.6)
MV20R			20	50.8	2	22.2	0.875	0-110	8.7 (247)	17.5(7.9)
MV30R			30	76.2	3	22.2	0.875	0-90	12.3 (350)	19 (8.6)
MV33R			33	25.4	1	41.3	1.625	0-120	5 (144)	16.8 (7.6)
				50.8	2	31.8	1.25	0-110	8.7 (247)	17.5(7.9)
MV60R			60	25.40	1	54.0	2.125	0-140	5 (144)	16.8 (7.6)
				50.8	2	41.3	1.625	0-110	8.7 (247)	17.5(7.9)
MV67R			67	50.8	2	41.3	1.625			
MV100R			100	76.2	3	41.3	1.625	0-90	12.3 (350)	19 (8.6)
MV116R			116	50.8	2	54.0	2.125	0-110	8.7 (247)	17.5(7.9)
MV150R			150	114.3	4.5	41.3	1.625	0-60	3.43 (97)	23 (10.5)
MV175R			174	76.2	3	54.0	2.125	0-90	12.3 (350)	19 (8.6)
MV260R	260	114.3	4.5	0-60	3.43 (97)			23 (10.5)		

<sup>A</sup> Depending on the application, the maximum cycle rate will vary <sup>B</sup> Calculated at full stroke at 100cpm, 75 PSI (5 Bar) <sup>C</sup> Pneumatic Drive Only

MEDIUM VOLUME DISPENSING



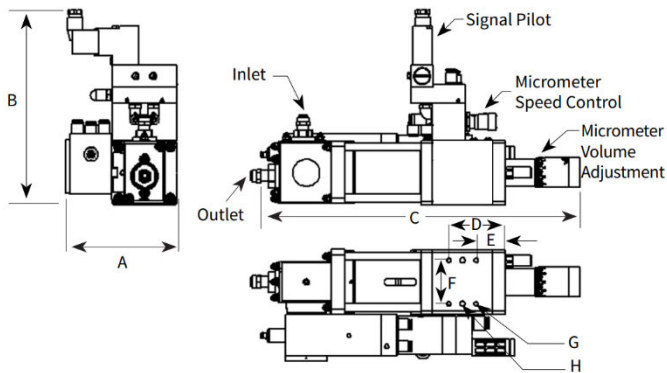
MEDIUM VOLUME DISPENSING

Fittings		
Type	Size	
	Inlet	Outlet
Sanitary	1/2" - 3/4"	1/2" - 3/4"
Swage	1/8" - 1/2"	1/8" - 3/8"
Tube	1/8" - 1/2"	1/8" - 3/8"
Hose	1/2" - 3/4"	1/2" - 5/8"

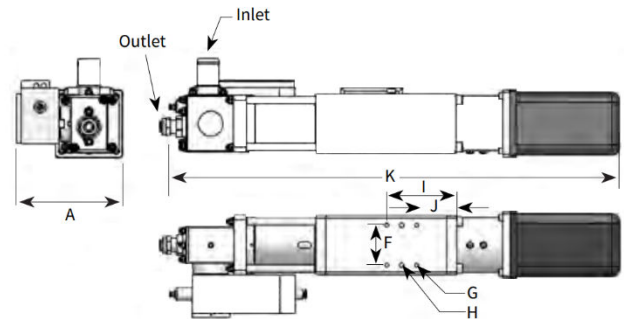
Special sizes or metric available upon request

O-rings & U-cups	
O-rings	U-cup Seals
Viton	Teflon
EP	UHMW
Silicon	
Buna	
Perfluor (Kalrez®)	

## Pneumatic Drive



## Servo Drive



RV Pump Models	Maximum Dispensing		External Dimensions (Inches[Metric])									
	Pneumatic	Electric	Volume (cc)	A	B	C	D	E	F	G	H	I/J
MV5R	P	E	5	5.12 [130]	8.9 [227]	12.76 [324]	2.6[66]	1.35[23]	2[51]	M6x10 dp	Ø6x8mm dp [ Ø0.237x 0.31dp]	Servo Drive Specific Contact your Hife Rep.
MV10R			10			16.73 [425]						
MV15R			15			20.73 [526]						
MV20R			20			16.73 [425]						
MV30R			30			20.73 [526]						
MV33R			33			12.76 [324]						
MV60R			60			16.73[425]						
MV67R			67			16.73 [425]						
MV100R			100			20.73 [526]						
MV116R			116			16.73 [425]						
MV150R			150			24.5 [622]						
MV175R			174			20.73 [526]						
MV260R			260			24.5 [622]						



**HIFE SYSTEMS LTD.**

Aurora Canada Heidenheim Germany Sorocaba Brazil Ningbo China

### Contact Us:

Asia: [sales@hife-battery.com](mailto:sales@hife-battery.com) – North America: [sales.1@hife-canada.com](mailto:sales.1@hife-canada.com)

Europe: [sales@hife-europe.com](mailto:sales@hife-europe.com) – South America: [sales@hife-brasil.com](mailto:sales@hife-brasil.com)