

Series: KTD	Discharge Bore: 50·80mm	Motor Output / Pole: 2.2·3.7kW / 2-pole
-----------------------	-----------------------------------	---

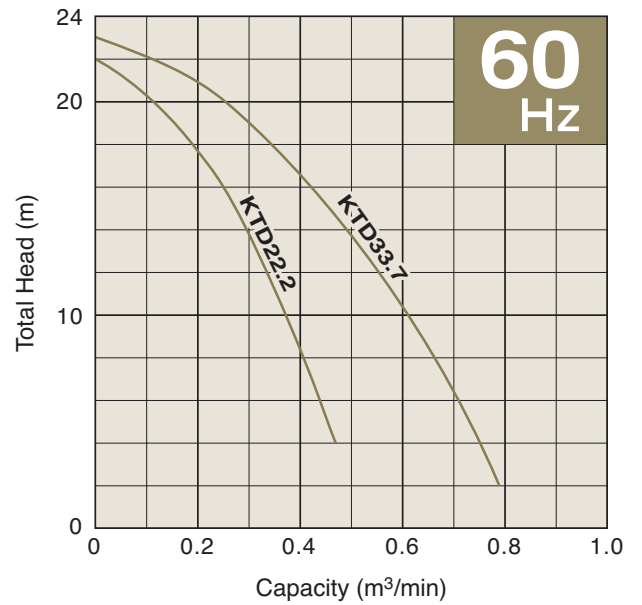
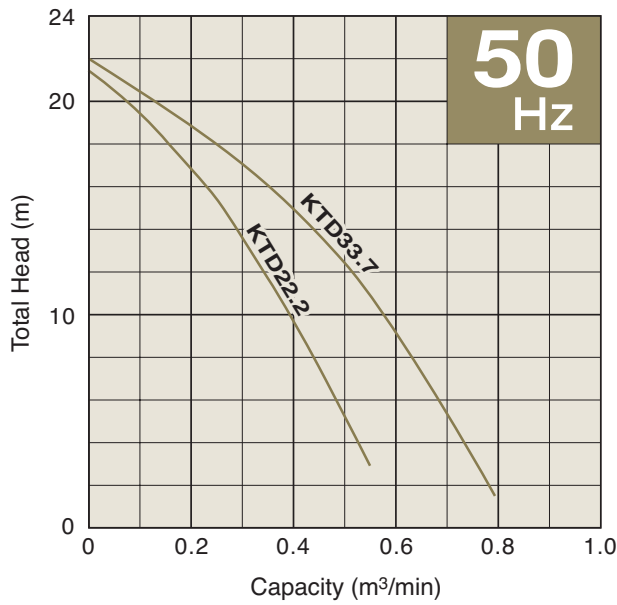


The KTD-series is a submersible three-phase cast iron heavy-duty slurry pump. It is equipped with an agitator that assists smooth suction of the settled matters. The pump parts such as the impeller and the suction cover are made of wear-resistant materials. The top discharge, side flow design assures efficient motor cooling even when it operates with its motor exposed to air. The slim design allows the pump to be placed in a confined space.

Selection Table

Model	Discharge Bore mm	Motor Output kW	Phase	Starting Method	Pole	Dry Weight kg
KTD22.2	50	2.2	3-phase	Direct on Line	2	38
KTD33.7	80	3.7	3-phase	Direct on Line	2	65

Performance Curves



SPECIFICATIONS	Model	KTD22.2	
		KTD-series 2.2kW, 3-phase	

<p>Type of Pump Submersible slurry pump for construction and foundation works, mining, and quarries, etc.</p> <p>Type of Fluid Water containing sand, mud, and slurry</p> <p>Temperature: 0 to 40°C</p> <p>Discharge Bore & Connection 50mm, Hose Coupling</p> <p>Motor Output 2.2kW</p> <p>Power Supply Three-phase</p> <p>Starting Method Direct on Line</p> <p>Motor Continuous-duty rated, dry-type induction motor</p> <p>Insulation Class: F Degree of Protection: IP68</p> <p>No. of Poles & Speed (Synchronous Speed) 2-pole, 3000/3600min⁻¹ (50/60Hz)</p> <p>Power Supply Voltages & Rated Currents</p> <table border="0"> <tr> <td>50Hz</td> <td>60Hz</td> </tr> <tr> <td>380V – 5.3A</td> <td>220V – 9.8A</td> </tr> <tr> <td>400V – 5.3A</td> <td>380V – 5.3A</td> </tr> <tr> <td>415V – 5.3A</td> <td>440V – 4.8A</td> </tr> </table> <p>Power Cable Sheath: PVC Standard Length: 8m 200 to 600V supply: 1 x 4 x 1.25mm², O.D. 11.1mm</p> <p>Dry Weight (excluding cable) 38kg</p>	50Hz	60Hz	380V – 5.3A	220V – 9.8A	400V – 5.3A	380V – 5.3A	415V – 5.3A	440V – 4.8A	<p>Impeller Semi-open impeller made of high-chromium cast iron</p> <p>Solids Passage 50Hz – ϕ10mm 60Hz – ϕ10mm</p> <p>Agitator Ductile cast iron</p> <p>Cable Entry with Anti-Wicking Block Watertight cable entry with strain-relief device. The anti-wicking block prevents water incursion due to capillary action should the power cable be damaged or the end submerged.</p> <p>Bearing Permanently lubricated, deep-groove, double-shielded C3 ball bearings</p> <p>Shaft 420 stainless steel</p> <p>Shaft Seal (Mechanical Seal) Furnished with a double-face mechanical seal located in oil chamber. Both upper and lower seal faces always run in a clean environment.</p> <p>Upper Seal Face: SiC + SiC Lower Seal Face: SiC + SiC</p> <p>Oil Seal (Lip Seal) Used as a “Dust Seal”, it protects the mechanical seal from abrasive particles.</p> <p>OIL LIFTER Equipped in oil chamber. It forcibly supplies lubricating oil to the mechanical seal and continues to supply the oil to the upper seal faces even if lubricant falls below the rated volume.</p> <p>Type of Lubricating Oil & Volume Turbine Oil (ISO VG32), 740ml</p> <p>Motor Protection Device A circle thermal protector built in the motor housing. Directly cuts the motor circuit if excessive heat builds up or an overcurrent condition occurs in the motor.</p>
50Hz	60Hz								
380V – 5.3A	220V – 9.8A								
400V – 5.3A	380V – 5.3A								
415V – 5.3A	440V – 4.8A								

<p>Optional Accessory</p> <p>Male Threaded Coupling</p>	<p>Special Specifications</p> <p>High Temperature Liquids Version (60°C)</p>
---	--

SPECIFICATIONS	Model	KTD33.7									
		KTD-series 3.7kW, 3-phase									
<p>Type of Pump Submersible slurry pump for construction and foundation works, mining, and quarries, etc.</p> <p>Type of Fluid Water containing sand, mud, and slurry</p> <p>Temperature: 0 to 40°C</p> <p>Discharge Bore & Connection 80mm, Hose Coupling</p> <p>Motor Output 3.7kW</p> <p>Power Supply Three-phase</p> <p>Starting Method Direct on Line</p> <p>Motor Continuous-duty rated, dry-type induction motor</p> <p>Insulation Class: F Degree of Protection: IP68</p> <p>No. of Poles & Speed (Synchronous Speed) 2-pole, 3000/3600min⁻¹ (50/60Hz)</p> <p>Power Supply Voltages & Rated Currents</p> <table border="0"> <tr> <td>50Hz</td> <td>60Hz</td> </tr> <tr> <td>380V – 8.4A</td> <td>220V – 14.8A</td> </tr> <tr> <td>400V – 8.0A</td> <td>380V – 8.4A</td> </tr> <tr> <td>415V – 7.7A</td> <td>440V – 7.6A</td> </tr> </table> <p>Power Cable Sheath: Chloroprene rubber Standard Length: 8m 200 to 600V supply: 1 x 4 x 2.0mm², O.D. 14.4mm</p> <p>Dry Weight (excluding cable) 65kg</p>	50Hz	60Hz	380V – 8.4A	220V – 14.8A	400V – 8.0A	380V – 8.4A	415V – 7.7A	440V – 7.6A	<p>Impeller Semi-open impeller made of high-chromium cast iron</p> <p>Solids Passage 50Hz – ϕ10mm 60Hz – ϕ10mm</p> <p>Agitator Ductile cast iron</p> <p>Cable Entry with Anti-Wicking Block Watertight cable entry with strain-relief device. The anti-wicking block prevents water incursion due to capillary action should the power cable be damaged or the end submerged.</p> <p>Bearing Permanently lubricated, deep-groove, double-shielded C3 ball bearings</p> <p>Shaft 420 stainless steel</p> <p>Shaft Seal (Mechanical Seal) Furnished with a double-face mechanical seal located in oil chamber. Both upper and lower seal faces always run in a clean environment.</p> <p>Upper Seal Face: SiC + SiC Lower Seal Face: SiC + SiC</p> <p>Oil Seal (Lip Seal) Used as a “Dust Seal”, it protects the mechanical seal from abrasive particles.</p> <p>OIL LIFTER Equipped in oil chamber. It forcibly supplies lubricating oil to the mechanical seal and continues to supply the oil to the upper seal faces even if lubricant falls below the rated volume.</p> <p>Type of Lubricating Oil & Volume Turbine Oil (ISO VG32), 1250ml</p> <p>Motor Protection Device A circle thermal protector built in the motor housing. Directly cuts the motor circuit if excessive heat builds up or an overcurrent condition occurs in the motor.</p>		
50Hz	60Hz										
380V – 8.4A	220V – 14.8A										
400V – 8.0A	380V – 8.4A										
415V – 7.7A	440V – 7.6A										
<p>Optional Accessory Male Threaded Coupling</p>		<p>Special Specifications High Temperature Liquids Version (60°C)</p>									

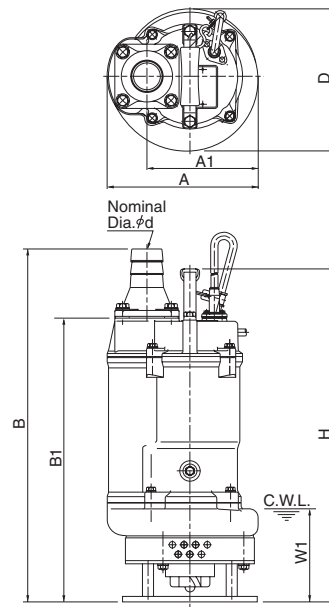
DIMENSIONS

Model

KTD22.2 & KTD33.7

KTD-series

50·80mm



C. W. L. : Continuous Running Water Level

Unit: mm

Model	d	A	A1	B	B1	D	H	W1
KTD22.2	50	235	173	550	442	221	519	140
KTD33.7	80	297	222	644	521	266	654	160